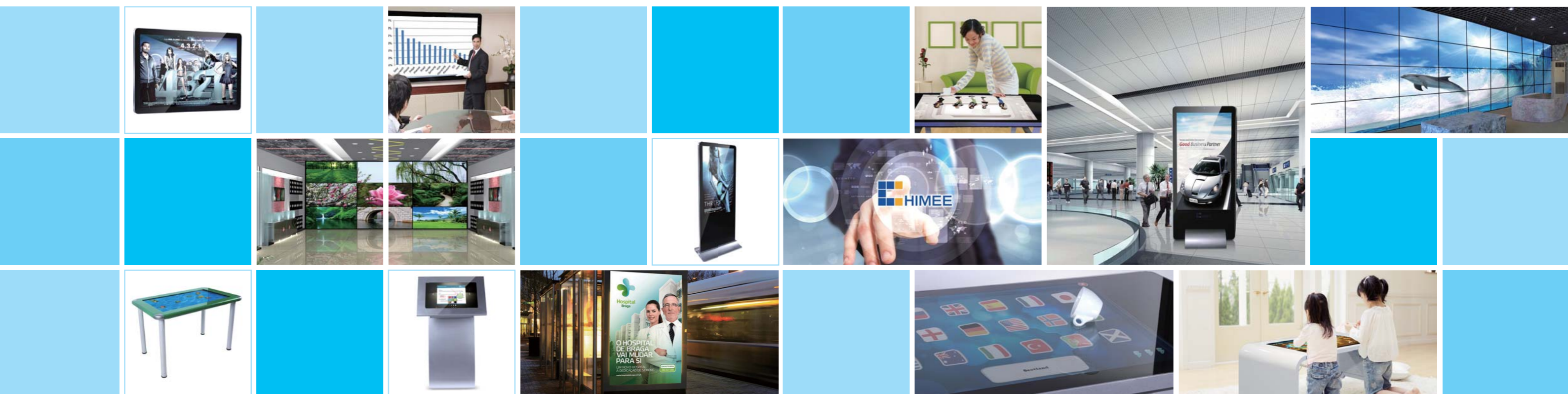


Specialist of digital signage & interactive solutions



Factory and Office Add.: 6/F, Bldg. A, Binhai Mingzhu Industry Park, Loucun
Community, Gongming Town, Guangming New District Shenzhen City,
Guangdong, China P.O. 518106

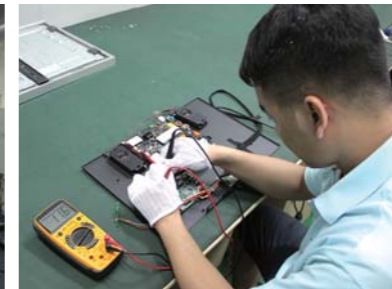
Tel: 86-755 2713 1215 Fax: 86-755 2713 1725
E-mail: chimee@chimee.com
Http: www.chimee.com



Shenzhen Chimee Technology CO., Ltd, has been developing and manufacturing LCD&LED related products since 2003. During these years, we are presented as the pioneer of Digital Signage Solution vendor, not only can we provide you with hardware and software customization, but also support OEM and ODM service.

Providing customers with a full range of indoor and outdoor use LCD equipments which can be applied in shopping mall facilities, office buildings, airports, schools, train stations etc, we get more attention from wider client groups and go further in the market. our products include Advertising player, All in one computer, Touch all in one, Video wall, Touch monitor, Interactive kiosk etc, with the size range from 10 to 84 inch.

We have set up R&D center in Shenzhen and Moscow, and are equipped with sales and production-line which cover an area of 4000m². Our devices have reached more than 150 countries and we have established professional distributor relationship in more than 15 countries.





55" Display

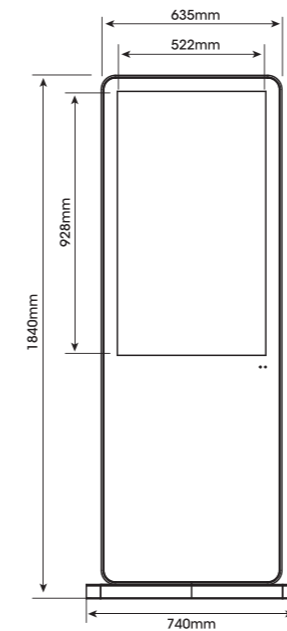
Our standing totem displays are developed for Digital Signage and interactive applications, made by durable metal steel, aluminium, stainless steel with powder coating, tempered glass in front for protection, adopt 24/7- rated screens, boards, cables and ventilation system.

Ideal for use in shopping malls, airports, chain stores, banks and buildings. All of them can be configured with peripherals including: computer, media player device, touch screen, thermal printer, webcam, speaker, card reader, barcode scanner ect.

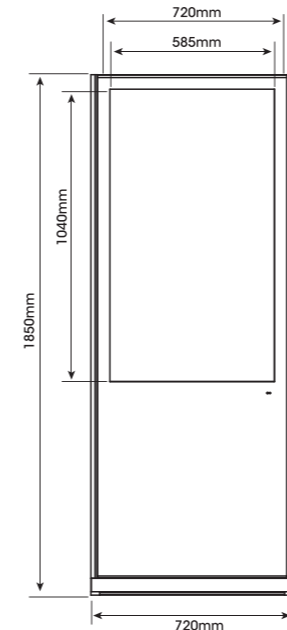
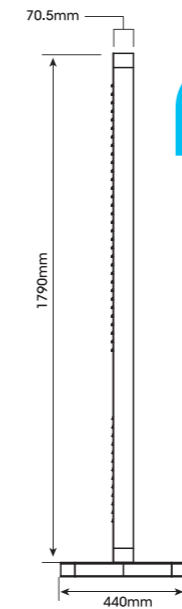


42" Display

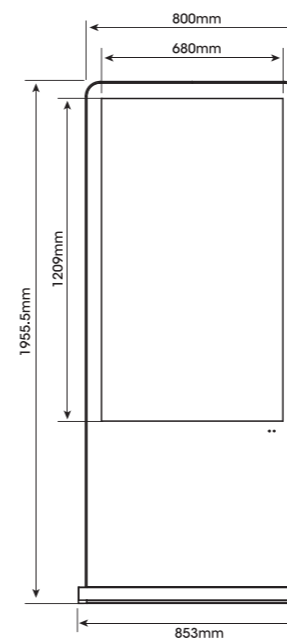
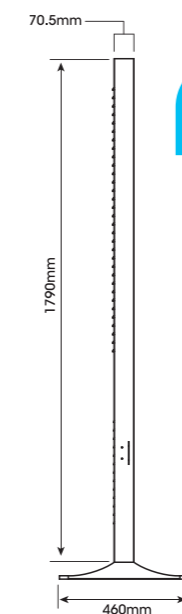
47" Display



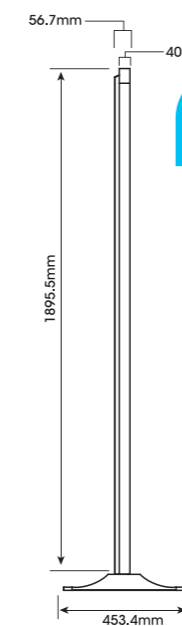
42" Display



47" Display



55" Display



Floor Standing

Optional Components

- Industrial Grade Mini Computer
- Insert or Swipe style Credit Card Reader
- Amplified Stereo Speakers
- WiFi or Cellular Connection(WCDMA)
- Barcode Scanner 1D,2D and QR
- 58/80mm Thermal Printer(Coupon/receipt)
- A4 Laser Printer(full page)
- Webcam(1.3MP, 2MP, 5MP, Logitech FHD Series)
- Stainless Keyboard and Mouse(Water proof)
- Wireless Keyboard and Mouse suit
- Blue Tooth(4.0)
- UPS(Capacity can be customized)
- Customized Color and LOGO
- Digital Signage(Controlled by remote controller)
- Digital Signage (Controlled by Central server over network)
- Touch Screen(Support up to 40 points)

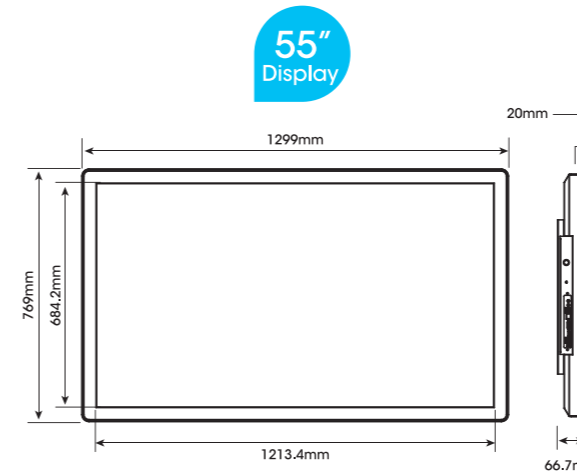
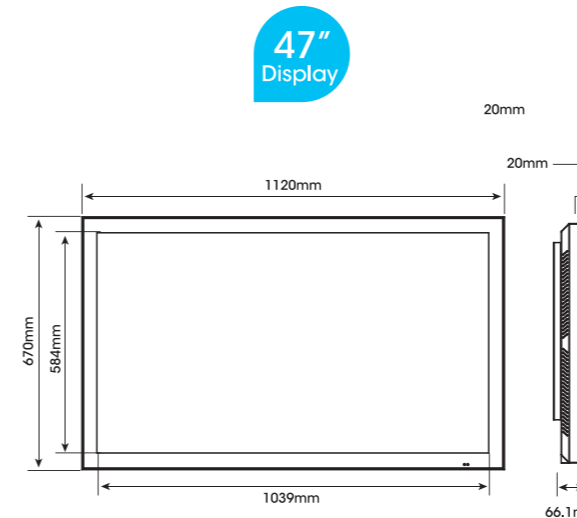
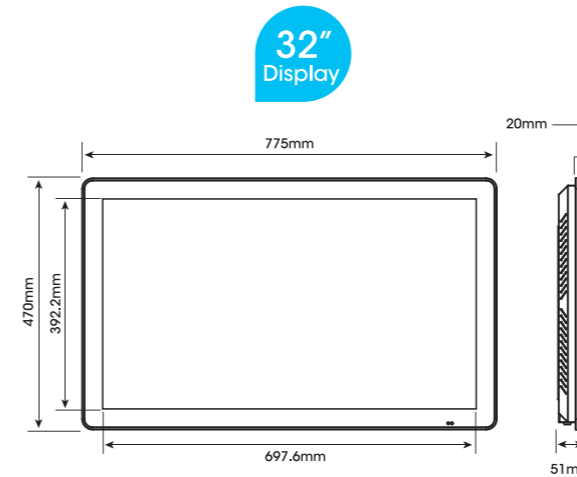
Specifications

- 21.5", 32", 42", 47", 55", 65", 70" available
- Robust Metal Steel and Flashing Aluminum
- 4-6mm Thickness Tempered Glass
- Durable Powder Coat Paint Finishing
- With Security Locks
- High Volume Cooling Fan
- Topple resistant base can be bolted to floor or added with wheels
- Safety approvals include CE RoHS FCC TUV ect

specification parameter

Product Specification	Popular size		
Size	42"	47"	55"
Max resolution	1920 x 1080	1920 x 1080	1920 x 1080
Viewing Angle	178°	178°	178°
Aspect Ratio	16:9	16:9	16:9
Brightness	≥ 500	≥ 500	≥ 500
Contrast Ratio	1400:1	1400:1	1400:1
Response Time	<5ms	<5ms	<5ms
Input Voltage	AC110V-240V	AC110V-240V	AC110V-240V
Speaker Power	5W	5W	5W
Power Consumption	<195W	<240W	<300W
Working Temperature	-5 C ~45 C	-5 C ~45 C	-5 C ~45 C
Storage Temperature	-20 C ~60 C	-20 C ~60 C	-20 C ~60 C
Working Humidity	10%~90%	10%~90%	10%~90%
Installation	Floor Standing	Floor Standing	Floor Standing





Wall Mounting

Optional Components

- Industrial Grade Mini Computer
- Amplified Stereo Speakers
- WiFi or Cellular Connection(WCDMA)
- Webcam(1.3MP, 2MP, 5MP)
- Wireless Keyboard and Mouse suit
- Blue Tooth(4.0)
- Customized Color and LOGO
- Digital Signage(Controlled by remote controller)
- Digital Signage (Controlled by Central server over network)
- Touch screen(Support up to 40 points)

Specifications

- 21.5", 32", 42", 47", 55", 65", 70" available
- Robust Metal Steel and Flashing Aluminum
- 4-6mm Thickness Tempered Glass
- Durable Powder Coat Paint Finishing
- With Security Locks
- High Volume Cooling Fan
- Standard VESA Holes suitable for all mount brackets
- Safety approvals include CE RoHS FCC TUV ect



It is a series of medium device adopt industrial grade LCD monitors which support 24/7 use, Painted Mid Steel or Stainless Steel housing with thief protection. Specifically designed for indoor applications, including desk-stand or wall mounting on any standard bracket , Rear Vesa Fixing. Ideal for use in malls, office buildings, museums with various of digital signage and interactive applications like retail, promotion, way finding etc. All of them can be configured with peripherals including; computer, media player device, touch screen, webcam, speaker, card reader, barcode scanner ect.



47" Display



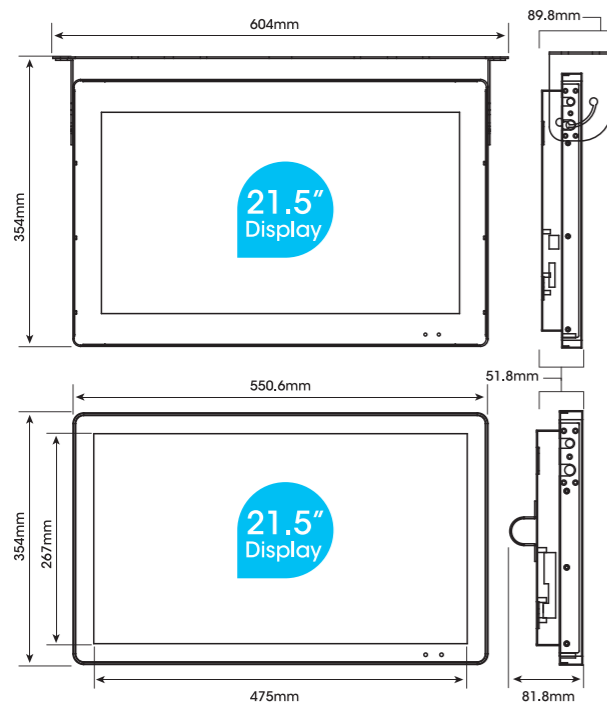
55" Display

specification parameter

Product Specification	Popular size		
Size	32"	47"	55"
Max resolution	1366 x768	1920 x 1080	1920 x 1080
Viewing Angle	178°	178°	178°
Aspect Ratio	16:9	16:9	16:9
Brightness	≥ 500	≥ 500	≥ 500
Contrast Ratio	1200:1	1400:1	1400:1
Response Time	<5ms	<5ms	<5ms
Input Voltage	AC110V-240V	AC110V-240V	AC110V-240V
Speaker Power	5W	5W	5W
Power Consumption	<195W	<240W	<300W
Working Temperature	-5 C ~45 C	-5 C ~45 C	-5 C ~45 C
Storage Temperature	-20 C ~60 C	-20 C ~60 C	-20 C ~60 C
Working Humidity	10%~90%	10%~90%	10%~90%
Installation	Wall mount	Wall mount	Wall mount



The In-vehicle Display is a fresh view inside the buses, ideally suited to public transport digital signage applications. It can be integrated with WiFi and 3G for Internet management and content updates. GPS receiver for on-board route information and tracking. Dual VGA outputs allowing the same content to be shown on two screens.



Bus Mounting

Optional Components

- Industrial Grade Mini Computer
- Amplified Stereo Speakers
- WiFi or Cellular Connection(WCDMA)
- Webcam(1.3MP, 2MP, 5MP)
- Wireless Keyboard and Mouse suit
- Blue Tooth(4.0)
- Customized Color and LOGO
- Digital Signage(Controlled by remote controller)
- Digital Signage (Controlled by Central server over network)
- ITPS Module

specification parameter

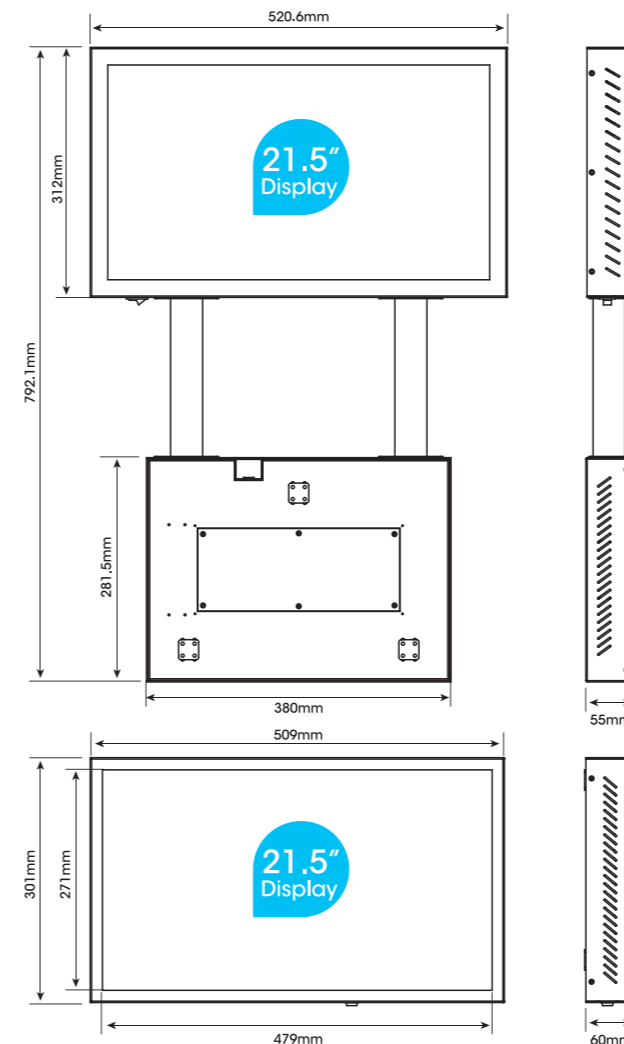
Product Specification	Popular size	
Size	18.5"	21.5"
Max resolution	1366 x 768	1920 x 1080
Viewing Angle	178°	178°
Aspect Ratio	16:9	16:9
Brightness	≥ 250	≥ 250
Contrast Ratio	1000:1	1000:1
Response Time	<5ms	<5ms
Input Voltage	DC 12V-24V	DC 12V-24V
Speaker Power	3W	3W
Power Consumption	10.8W	15.7W
Working Temperature	-5 C ~45 C	-5 C ~45 C
Storage Temperature	-20 C ~60 C	-20 C ~60 C
Working Humidity	10%~90%	10%~90%
Installation	back mounted/roof mounted	

Specifications

- 17", 18.5", 21.5", 23.6" available
- Robust Metal Steel
- 2-3mm Tempered Glass
- Durable Powder Coat Paint Finishing
- With Security Locks
- Roof mounted and back mounted
- Connect to the power source of the vehicle, DC12-24V
- Anti-shake and vandal proof
- Safety approvals include CE RoHS FCC TUV ect



Walking/backpack display is a new portable, super-noticeable, eco-friendly indoor/ outdoor street advertising equipment, perfect for achieving a targeted brand presence and consumer engagement. Our walking/backpack displays help to get your marketing promotion anytime and anywhere, be fresh and successful. It comes with on board batteries and your street team person can operate it for up to 6 hours on a single charge. can be added with network and GPS functions for your easy remote control.



Specifications

- 15", 17", 18.5", 21.5", 23.6" available
- With light aluminum frame
- Comfortable belt suitable for everyone
- 3mm Thickness Tempered Glass
- Durable Powder Coat Paint Finishing
- With Security Locks
- Durable Li battery can last for longtime
- Safety approvals include CE RoHS FCC TUV ect

specification parameter

Product Specification	Popular size		
Size	18.5"	21.5"	23.6"
Max resolution	1366 x 768	1920 x 1080	1920 x 1080
Viewing Angle	178°	178°	178°
Aspect Ratio	16:9	16:9	16:9
Brightness	≥ 250	≥ 250	≥ 300
Contrast Ratio	1000:1	1000:1	1000:1
Response Time	<5ms	<5ms	<5ms
Input Voltage	12V 13000mA	12V 13000mA	12V 13000mA
Speaker Power	3W	3W	3W
Power Consumption	10.8W	15.7W	19.4W
Working Temperature	-5 C ~45 C	-5 C ~45 C	-5 C ~45 C
Storage Temperature	-20 C ~60 C	-20 C ~60 C	-20 C ~60 C
Working Humidity	10%~90%	10%~90%	10%~90%
Installation	Backpack/Portable		



17" Kiosk

Chimee kiosks are developed for interactive digital signage and self-service applications, but due to its incredible adaptability, it is well-suited for a number of other capacities. The kiosk features high grade digital signage monitors built for 24/7, year round operation. Chimee kiosks can accommodate virtually any single or multi-touch LCD monitor, suited for banks, malls, stations and hospitals. All of them can be configured with peripherals including; thermal printers, a media player device, magnetic and smart card readers, proximity sensors and QR/barcode scanners.



32" Kiosk

55" Kiosk

Kiosk

Optional Components

- Industrial Grade Mini Computer
- Insert or Swipe style Credit Card Reader
- Amplified Stereo Speakers
- WiFi or Cellular Connection(WCDMA)
- Barcode Scanner 1D,2D and QR
- 58/80mm Thermal Printer(Coupon/receipt)
- A4 Laser Printer(full page)
- Webcam(1.3MP, 2MP, 5MP, Logitech FHD Series)
- Stainless Keyboard and Mouse(Water proof)
- Wireless Keyboard and Mouse suit
- Blue Tooth(4.0)
- UPS(Capacity can be customized)
- Customized Color and LOGO
- Digital Signage(Controlled by remote controller)
- Digital Signage (Controlled by Central server over network)
- Touch Screen(Support up to 40 points)
- Support wire/wireless cell phone charge of different brands
- Can be water proof up to IP65

Specifications

- 17",21.5", 32",42",47",55",65",70" available
- Robust Metal Steel and Flashing Aluminum
- 4-6mm Thickness Tempered Glass
- Durable Powder Coat Paint Finishing
- With Security Locks
- High Volume Cooling Fan
- Ergonomic touch features
- Topple resistant base can be bolted to floor or added with wheels
- Safety approvals include CE RoHS FCC TUV ect

Customized Design



Different Colors



PANTONE 192C	White
PANTONE 021C	Black
PANTONE 389C	PANTONE CyanC
PANTONE 375C	PANTONE 355C

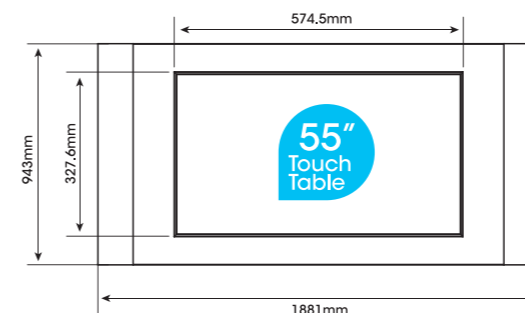
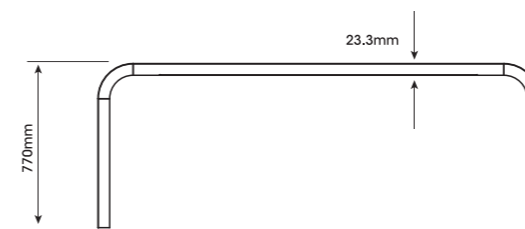
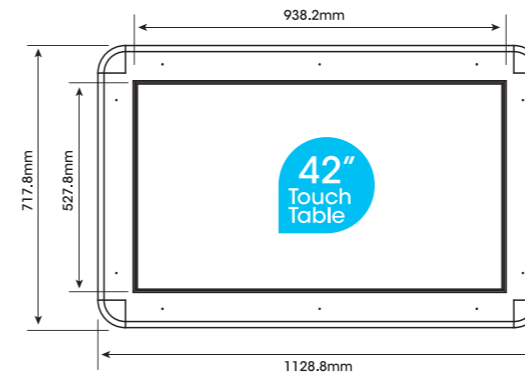
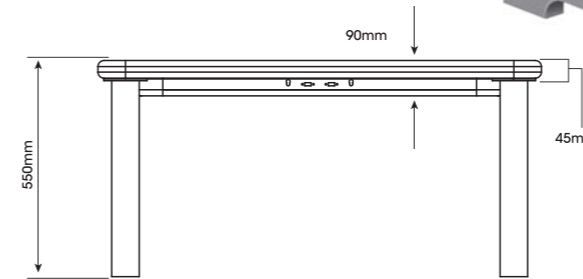
Logo Printing



Optional Hardware



With luxury design and finishing, our touch table is the ultimate interactive tool for a myriad of applications, enhancing education, business meeting, entertainments and events. We adopt the newest touch technology combined with 24/7 displays and computer hardware allowing multiple touch points simultaneously for multiple user collaboration, our touch tables are widely used in airports, hotel lobbies, schools, malls etc.



Touch Table

Optional Components

- Industrial Grade Mini Computer
- Insert or Swipe style Credit Card Reader
- Amplified Stereo Speakers
- WiFi or Cellular Connection(WCDMA)
- Barcode Scanner 1D,2D and QR
- 58/80mm Thermal Printer(Coupon/receipt)
- A4 Laser Printer(full page)
- Webcam(1.3MP, 2MP, 5MP, Logitech FHD Series)
- Stainless Keyboard and Mouse(Water proof)
- Wireless Keyboard and Mouse suit
- Blue Tooth(4.0)
- UPS(Capacity can be customized)
- Customized Color and LOGO
- Digital Signage(Controlled by remote controller)
- Digital Signage (Controlled by Central server over network)
- Touch Screen(Support up to 40 points)

Specifications

- 21.5", 32", 42", 47", 55" available
- Robust Metal Steel and Flashing Aluminum
- 4-6mm Thickness Tempered Glass
- Durable Powder Coat Paint Finishing
- With Security Locks
- High Volume Cooling Fan
- Ergonomic touch features support up to 100 touch points
- Safety approvals include CE RoHS FCC TUV ect

All In One Computer



All in one computer is a monitor integrated with Android or computer hardware inside a metal cabinet with tempered glass, adopt industrial grade hardware and cooling system, support 24/7 work mode, suitable for indoor and outdoor digital signage applications based on Windows/Linux/Android etc. Best all in one device for your digital software.



The Highest Cost Effective Standard Configurations Provided By CHIMEE

Android configurations

- Processor: ARMv9 Quad Core 1.8GHz
- Memory: 2GB DDR3
- GPU: Mail-400
- Storage: NAND FLASH 8GB / Expansion : TF Card (up to 64GB)
- Operating system: Android 4.2 / Android 4.4
- Network: support LAN , WIFI , 3G , 4G
- Interface: HDMI , VGA , 4*USB , 2*RS232
- USB Supported : Multi-Touch Screen / Wireless Keyboard & Mouse / USB Keyboard & Mouse

Hardware Configurations Can Be Customized

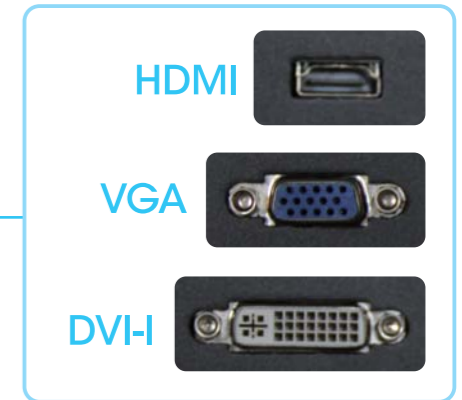
BUILT-IN PC SOLUTION

Solutions	1037U	i3	i5	i7
CPU	Intel Celeron 1037U	4th Gen Intel Core i3	4th Gen Intel Core i5	4th Gen Intel Core i7
Chipset	NM70	H81	H81	H81
RAM	DDR3/1600/4G	DDR3/1600/4G	DDR3/1600/4G	DDR3/1600/8G
Hard disk	64G SSD	64G SSD	64G SSD	64G SSD
Graphics	Intel HD 2500	Integrated with CPU	Integrated with CPU	Integrated with CPU
Audio	RTL 662 HD Audio	RTL 662 HD Audio	RTL 662 HD Audio	RTL 662 HD Audio
Network	RTL 8111 Giga Ethernet controller	RTL 8111 Giga Ethernet controller	RTL 8111 Giga Ethernet controller	RTL 8111 Giga Ethernet controller
WIFI	150M 802.11A/B/G/N	150M 802.11A/B/G/N	150M 802.11A/B/G/N	150M 802.11A/B/G/N
Speaker	2 build-in high quality stereo speakers (3w or 5w)			
Supported OS	Windows 7/8/8.1/Latest stable version of Fedora or Ubuntu			

Touch Monitor (IR Touch & Capacitive Touch)



Mighty Glass



Supported OS



PROJECTED CAPACITIVE TOUCH PANEL

ITEMS	SPECIFICATIONS	NOTE
Touch point	10points(under 42inch) 60points(>= 55inch)	
Structures	Glass/Glass	
Total Thickness	2.7 ± 0.15 mm (Cover_1.8 mm & Sensor_0.7 mm)	
Operation Conditions	-20 C ~ +70 C at Min 45% to Max 85% RH	
Input Method	Finger or Cap. Stylus	
Resolution	25ppi (Min.)	Based on WIN7 definition ppi(Pixel per inch)
Accuracy	Within 2.5mm each target & 10% Jitter limit on moving	
Transparency	85 ± 5%	By BYK-Gardner at 550nm
Haze	3% (Maximum)	
size	13.3inch to 84inch	

IR TOUCH SCREEN SPECIFICATIONS

Detectable Touch Points	True Multi-Touch (Detects over 32 touch points simultaneously)	
	Ultimate	50+ Touch Points
Plus	32+ Touch Points	
Standard	12 Touch Points	
Basic	6 Touch Points	
Dual	2 Touch Points	
Glass	3mm/4mm Mighty Glass	
Sample Rate	Up to 250fps (depends on frame size)	
Finger Touch Accuracy	2.7mm	
Touch Method	Finger, Gloved hand or other pointer	
Touch Activation Force	No pressure required	
Power Supply	USB Powered	
Data Interface	USB 2.0 (Full speed), compatible with USB 3.0 / USB 1.1 port	
Operating System	Windows 7/8/vista/xp, Mac OS X, Ubuntu/Fedora Android (need to be customized)	
Touch Durability	Unlimited	
Waterproof	Anti-Spill, customizable to IP66	
Programming Interface	Windows Native Touch / TUIO / SDK	

Touch All In One PC



Touch all in one computer is engineered and designed for maximum of interactive applications in various areas, adopt multi touch screen and industrial grade computer, ideal for using in schools, meeting room, airports, shopping malls and stores.



Touch Video Wall



CHIMEE Interactive Video Walls or 'Touch walls' is a fantastic product which can create a huge impact in your office, foyer or public space. The capabilities of stunning visuals and software are transformed into the futuristic world of interactive business and learning.



AirScreen Interactive Conference Solution

AirScreen&magic 3D PPT:
A New Way for Business Collaboration

Airscreen:

AirScreen is making your team collaboration easier, it delivers your presentation to the large screen over the air. With Multi-Touch interaction completely wireless, your presentation will be more effective and entertaining.

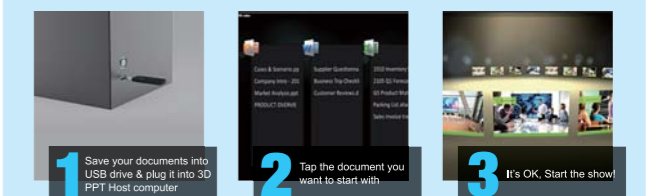


Magic 3D PPT



How Can I Get Started

Magic 3D PPT is a "plug & Play" solution, just get your documents ready, and Magic 3D PPT makes it 3D.



Magic 3D PPT is a "Plug & Play" solution, just get your documents ready, and Magic 3D PPT makes it 3D

KIDS touch



Kids Touch - a set of interactive educational applications for preschool and primary school to make learning more interesting and brighter.

For teachers:

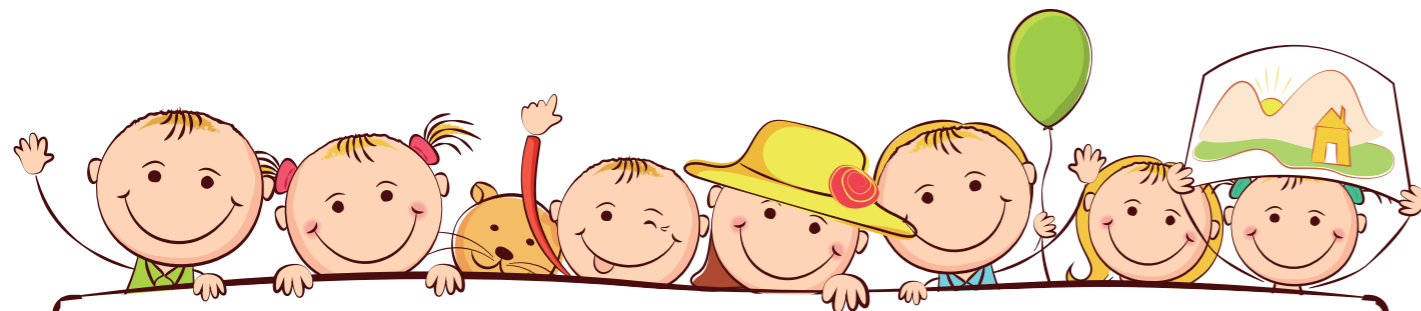
- User-friendly and intuitive interface
- New approaches to the organization of the learning process
- Development of creative thinking to prepare their lessons
- Involving children in the learning process
- Variety of forms of presentation of teaching material
- Improving the efficiency and quality of education

For children:

- Interesting, fascinating training
- Combination studies with the game
- Easy and fast assimilation material
- Group work
- WWW: kidstouch.ru

Advances:

- skills development
- work in a team
- development of imagination
- development of creative abilities
- logical development thinking
- development of independence
- development of memory
- expand horizons
- expansion of vocabulary stock



School information panel



Benefits

- Interactivity
- Simple and intuitive interface
- Possibility to place large amount of information in one place
- Ease of administration



Capabilities

- Timetables and changes in him
- Information on the block supplementary education
- Events and activities going to school
- Schedule units and staff
- School plan
- Achievements students
- Photo and video albums schools



Additionally

- Individual design for your school institutions
- New features for your needs

Information panel - screen with multimedia capabilities and easy interface, for use in public places (shopping | hotel | school | restaurants | airports) for information for customers and visitors.

EduBox

Services

Disk

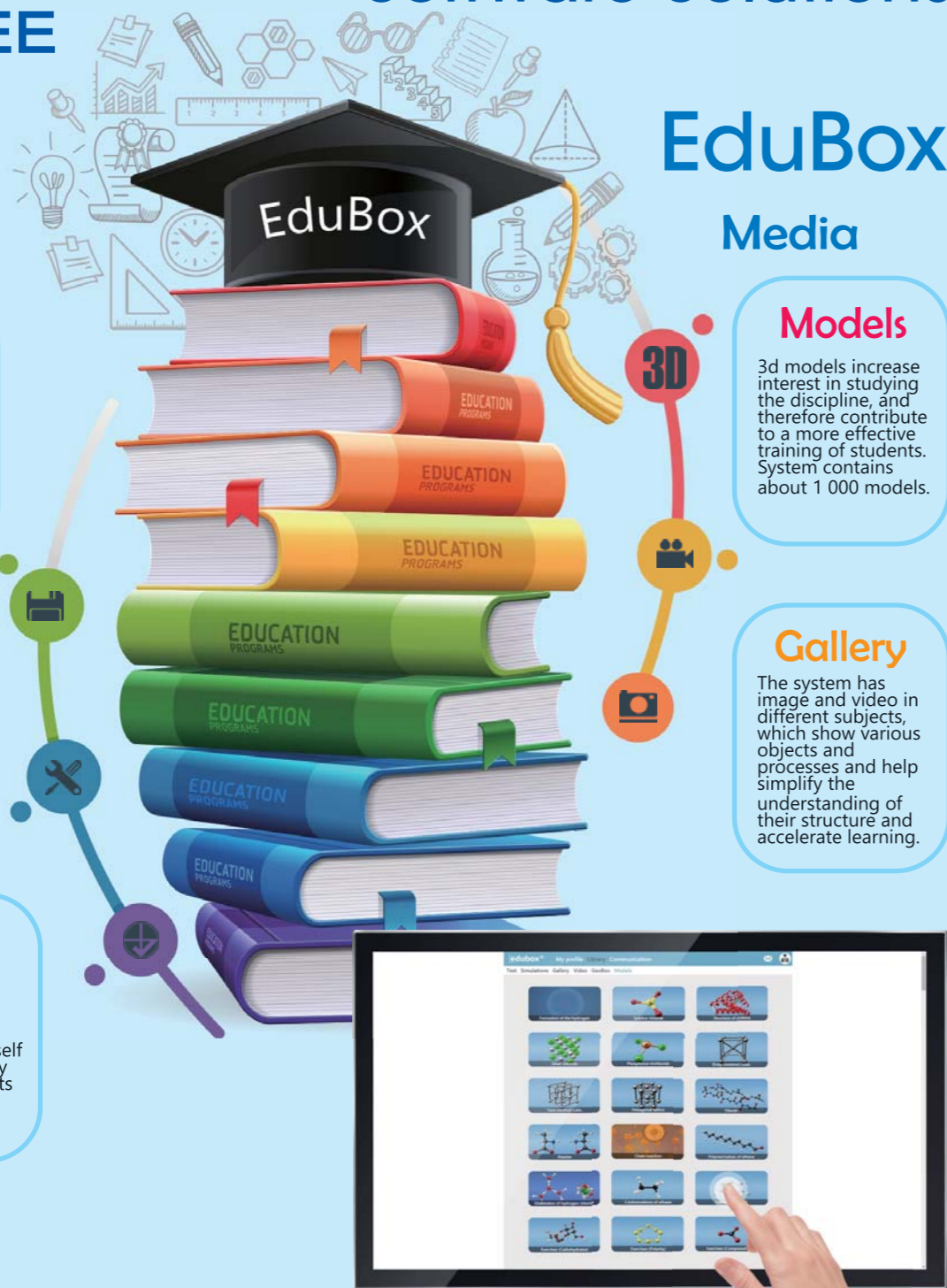
This service to upload your pictures and videos that can be displayed or students use to create lesson.

Constructor

Tools for creating tests, exams and lessons. The teacher can create a lesson with text, pictures, videos, models and tests, or set up a test with different types of questions.

Exams

Online student testing to verify their knowledge. The teacher can create the test itself or choose a ready option. The results are displayed instantly.



Media

Models

3d models increase interest in studying the discipline, and therefore contribute to a more effective training of students. System contains about 1 000 models.

Gallery

The system has image and video in different subjects, which show various objects and processes and help simplify the understanding of their structure and accelerate learning.

EduBox - an interactive learning environment. The system allows the teacher to use modern technology in education, demonstrating a model of the processes occurring at various events, monitor the assimilation of knowledge students.

The medium contains a different educational content: 2D- and 3D-video, interactive 3D models and simulation table.

Screenplify

A digital signage software built for speed, simplicity and security



BENEFITS

- ▶ Effortlessly create vibrant and dynamic, interactive/non-interactive displays for your screens with our simple and intuitive content manager.
- ▶ Cloud-based content manager allows for instant content updates and ease of access to update content.
- ▶ Linux OS for unmatched system stability and robust performance.
- ▶ Screenplify is an extensible platform that allows for integration with custom-made plugins and modules.

FEATURES

- ▶ Effectively manage different layout for multiple screens.
- ▶ Quick start with available layout templates or blank slate for customized layout.
- ▶ Support display of images, videos, maps, and directories.
- ▶ Analytics: Visual reports on user behavior and system performance.
- ▶ Support synchronized display of content for multiple screens.
- ▶ RSS feed support for Marquee and Video playback.

With Screenplify, reaping the benefits of digital signage just got a lot easier!

Get started and have your screens effortlessly managed and deployed in no time.

Standard Items



■ HQ55ES-2(26"-65")



■ HQ55ES-1(26"-65")



■ HQ550-10(26"-65")



■ HQ42ES-2(26"-65")



■ HQ55CSK-1(26"-65")



■ HQ215CSK-3(26"-65")



■ HQ32CSK-8(26"-65")



■ HQ42ES-C1-T(26"-65")



■ HQ55ESD-1(26"-65")



■ HQ420-9(26"-65")



■ HQ215E-2(26"-65")



■ HQ55CSK-6(26"-65")



■ HQ42CSK-7(26"-65")



■ HQ55CSK-2(26"-65")



■ HQ420-10(26"-65")



■ HQ550-C3(26"-65")



■ HQ47SP-1(26"-65")



■ HQ32CSK-1(26"-65")



■ HQ47EW-C1(26"-65")



■ HQ55EW-2(26"-65")



■ HQ220-3B(26"-65")



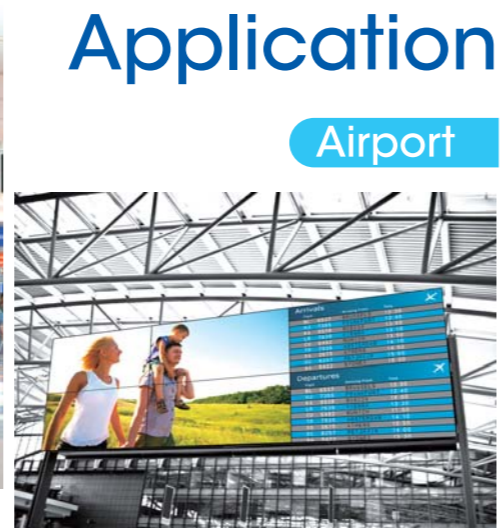
■ HQ550-2(26"-65")



■ HQ220-P1(26"-65")



■ HQ220-P2(26"-65")



Application

Airport



Shopping Mall



Museum



4S Shop

School



CHIMEE Global Partners
Always with you