

Professional Manufacturing Sincere Service

# JBH Wheelchair

Electric Scooter for the disabled and elderly Automatic Electric Wheelchair



Nanjing Jin Bai He Medical Apparatus Co., Ltd.

Creat the international brand to serve the masses



# Company Profile



Nanjing Jin Bai He Medical Apparatus Co.,Ltd. located in Nanjing, is specialized in Manual Wheelchair, Electric Wheelchair, Electric Standing Wheelchair, Electric Climbing Wheelchair, Knee Walker and Scooter. Jin Bai He is a famous wheelchair factory which has integrated research and development, manufacturing and sale together and has gained ISO9001:2000 Certificates, ISO13485:2012 Certificates, FDA and CE as well, which ensures high quality and safety. "Jin Bai He" as the registered trademark is a famous wheelchair brand in domestic market and has a large products family covering Home Care, Rehabilitation Nursing, Professional Sports, Scooter, Commode Chair, Cane and etc.

Jin Bai He Wheelchair(JBH wheelchair), renowned for "Safe, Light and Portable", is more convenient than the traditional wheelchair on the market, which allows the customers to use it easily and comfortably. JBH wheelchair also provides customers with various customized wheelchairs of high quality. Up to now, JBH wheelchair has been sold to about 20 Provinces in China and more than 30 countries and has experience in designing and processing wheelchair for several famous wheelchair brands. JBH wheelchair has won the majority of customers' recognition and trust, and becomes a generally acknowledged star in the rehabilitation nursing apparatus brands. JBH wheelchair will consistently dedicate itself to provide customers with high quality products and meticulous service by its professional team, strict and scientific management and advanced equipment.

# We are specialized in the researching and producing high-end wheelchairs

our wheelchair is famous for small size and portable, which is more convenient than traditional wheelchair for carry, we take various cases into account when we start designing, all needed people from the children to the elderly people can use it, and the raw material is flexible, we accept customization providing various types of wheelchairs to keep the products meet the market changes.



# JBH D05

Excellent Travel Companion

JBH Wheelchair

## Product Features

- Model JBH D05 wheelchair is light foldable and portable electric wheelchair.
- It can be put into trunk easily for its foldable lightweight aluminum alloy frame.
- Detachable and washable seat cushion and backrest
- The foot pedal can be flipped up.
- Aluminum frame enables the wheelchair have a light weight, only weighs 19kg.
- Beautiful back wheel metal hub, which is stable and durable.
- The wheelchair controller is easy and convenient to operate, and the wheelchair has strong power driven by two motors.
- Intelligent electromagnetic brake keeps users safe.
- Precise battery indicator.
- 24V/10AH lithium battery (Extra 10Ah battery is optional).
- Color Choice: silver, yellow, black, red, pink and blue.



## Product Parameters

overall length 870mm	overall width 610mm	overall height 920mm	max load 120kg	Tire Front: 7 inch PU solid tire Back: 8 inch PU solid tire	gradeability 8-12°	max speed 6km/h	driving range 20-40km	controller DC 24V/2A	motor 180W*2 brushless motor
seat depth 400mm	seat width 400mm	seat height 490mm	Lithium battery 24V/10AH (Extra 10AH is optional)	charger 24V/2A	charging time 6-8h	net weight 23kg (two batteries)	net weight 21kg (one battery)	net weight 19kg (without battery)	

Portable, Light, Safe



The wheelchair frame is made of 7003 aerospace aluminum alloy, which only weighs 19 KG. It can be folded in 3 seconds and could drive 20/40 km.

# JBH D05

Excellent Travel Companion



JBH Wheelchair

Portable, Light, Safe



### Product Features

- Model JBH D09 wheelchair is a heavy duty lightweight foldable and portable electric wheelchair.
- It can be put into trunk easily for its foldable lightweight aluminum alloy frame.
- Detachable and washable seat cushion and backrest
- The foot pedal can be flipped up.
- Aluminum frame enables the wheelchair have a light weight, only weighs 23.5kg.
- Beautiful back wheel metal hub is stable and durable.
- The wheelchair controller is easy and convenient to operate. And the wheelchair has strong power by two motors.
- Intelligent electromagnetic brake keeps users safe.
- Precise battery indicator.
- 24V/6AH lithium battery ( Extra 6AH is optional)
- Color: silver, black, red, pink, blue.



### Product Parameters

overall length 975mm	overall width 590mm	overall height 935mm	max load 180kg	Tire Front: 7 inch PU solid tire Back: 12 inch PU solid tire	gradeability 8-12°	speed 6km/h	driving range 25km	controller DC24V/2A	motor 250w*2 brushless motor
seat depth 430mm	seat width 470mm	seat height 460mm	Lithium battery 24V/12AH (two batteries)	charger 24V/3A	charging time 6-8h	net weight 26.5kg (including battery)	net weight 23.5kg (without battery)		



D09 can be folded into a small size easily and don't need to remove detachable parts. It's convenient to bring outside by put into trunk, plane or high speed rail.

# JBH D09

Excellent Travel Companion



JBH Wheelchair



Portable, Light, Safe

# JBH D10

Excellent Travel Companion

JBH Wheelchair

## Product Features

- Model JBHD10 wheelchair is light foldable and portable lightweight aluminum alloy frame.
- Detachable and washable seat cushion and backrest.
- The Foot pedal can be flipped up.
- Aluminum frame enable the wheelchair have a light weight only weighs 20kg.
- Beautiful back wheel metal hub,which is stable and durable.
- The wheelchair controller is easy and convenient to operate,and the wheelchair has strong power driven by two motors.
- Intelligent electromagnetic brake keeps users safe.
- Precise battery indicator
- 24V8AH/16AH lithium battery( standard with one 8AH,one more can be optional )
- Color Choice:silver,yellow,black,red,pink and blue.



## Product Parameters

overall length 880mm	overall width 630mm	overall height 925mm	max load 180kg	Tire Front: 7 inch PU solid tire Back: 8 inch PU solid tire	gradeability 12°	max speed 6km/h	driving range 16km/32km	controller 360°	motor 250W*2 brushless motor
seat depth 400mm	seat width 490mm	seat height 450mm	Lithium battery 24V/8AH*1pcs or 24V16AH*2pcs	charger 24V/2A	charging time 3-6h	net weight 23kg	net weight 21.5kg	net weight 20kg	lithium battery 1.5kg/pc



The wheelchair frame is made of magnesium alloy, which only weighs 20KG. It can be folded in 3 seconds and could drive 10/20miles.

Portable, Light, Safe



# JBH D10

Excellent Travel Companion



JBH Wheelchair



Portable, Light, Safe

# JBH M03

Excellent Travel Companion


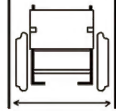
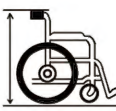

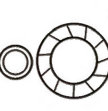



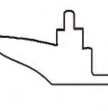
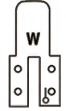

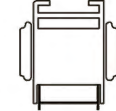





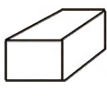


JBH Wheelchair

## Product Features

- Only weighs 15kg without battery, lightweight, foldable and portable.
- Detachable and washable seat cushion and backrest.
- The foot pedal can be flipped up.
- Magnesium Alloy material
- Adjustable backrest, four different angle
- Intelligent electromagnetic brake keep users safe.
- Standard with one pcs 24V 10AH battery
- Color Choice: red



## Product Parameters

 overall length 890mm	 overall width 600mm	 overall height 980mm	 max load 100kg	 Tire Front: 6 inch PU solid tire Back: 12 inch PU solid tire	 gradeability 8°	 speed 6km/h	 driving range 25km	 controller 360°	 motor 200W
 seat depth 420mm	 seat width 460mm	 seat height 490mm	 Lithium battery 10AH	 charger 24V/3A	 charging time 6-8h	 net weight 16kg <small>(including two battery)</small>	 net weight 13kg <small>(without battery)</small>	 lithium battery 1.5kg*2	 lithium battery 1.5kg/pc

Portable, Light, Safe



# JBH M03

Excellent Travel Companion



JBH Wheelchair

Portable, Light, Safe

# JBH S01

Excellent Travel Companion


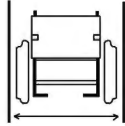
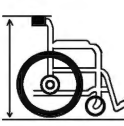

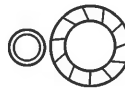





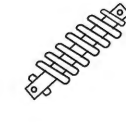
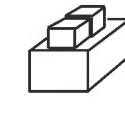
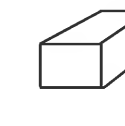
JBH Wheelchair

## Product Features

- Its frame is welding together of high strength aluminum alloy, and supported by double cross bar, which makes the frame structure more stable and safety.
- Detachable and washable seat cushion is made of high quality breathable fabric.
- The wheelchair frame and backrest is designed foldable. It's convenient to take out by putting into trunk.
- Adjustable and flip up foot pedal.
- Front and back non-pneumatic PU tire is anti-puncture and durable.



## Product Parameters

 overall length 1085mm	 overall width 690mm	 overall height 920mm	 max load 100kg	 Tire Front: 7 inch PU solid tire Back: 24 inch PU solid tire	 gradeability --	 speed --
 seat depth 400mm	 seat width 465mm	 seat height 470mm	 shock absorption system no	 net weight 13kg	 net weight 14.5kg (Packaging)	



Aerospace aluminum alloy frame enables the wheelchair has a light weight, only 13KG. it's easy and convenient to take out. The wheelchair can be folded in 5 seconds.

Portable, Light, Safe

# JBH S01

Excellent Travel Companion



JBH Wheelchair

Portable, Light, Safe

# JBH FD02

Excellent Travel Companion

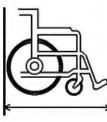
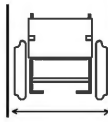
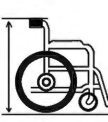

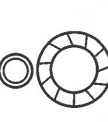



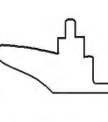
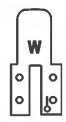

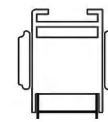

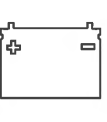
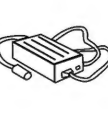


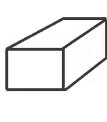


JBH Wheelchair

## Product Features

- Automatic fold/Small folding size
- Only weighs 23.7kg, Easy fold
- Controller: Wheelchair dedicated brushless motor controller with programming function;
- Product Specifications:
- Motor: 250WX2
- Battery pack: 24V 8AH
- Charging time: 5-8 hours
- Maximum mileage: 22km
- Maximum speed: 6km / h
- Climbing ability: 12 degrees
- Load: 150kg
- Expanded size: 970 \* 600 \* 960mm
- Folding size: 370 \* 600 \* 840mm
- Packing size: 400mm \* 630mm \* 870mm



## Product Parameters

 overall length 970mm	 overall width 600mm	 overall height 960mm	 max load 150kg	 Tire Front: 7 inch PU solid tire Back: 8 inch PU solid tire	 gradeability 8-12°	 speed 6km/h	 driving range 22km	 controller DC 24V/2A	 motor 180W*2
 seat depth 400mm	 seat width 500mm	 seat height 510mm	 Lithium battery 24V/6AH*2	 charger 24V/2A	 charging time 6-8h	 net weight 26.3kg (including two battery)	 net weight 23.7kg (without battery)	 lithium battery 1.3kg*2	 lithium battery 1.3kg/pc

Portable, Light, Safe



# JBH FDB02 Excellent Travel Companion

## Product Features

- Mini type folding electric scooter, folding volume only 0.22cbm.
- One-key automatic fold, no need handle fold, easy for elder or disable people.
- PG controller, quality ensure.
- Electromagnetic brakes, scooter will be stop instantly when hand off.
- The folding electric scooter can be put into trunk, easy to transport.



JBH Wheelchair

## Product Parameters

overall length 970mm	overall width 470mm	overall height 670mm	max load 120kg	Tire Front: 7 inch PU solid tire Back: 8 inch PU solid tire	gradeability 12°	max speed 6km/h	controller PG45A	motor 180w
turning radius 1200mm	Ground clearance 45mm	shock absorption system --	Lithium battery 24V6AH*2	charger DC24V/2A	charging time 6h	Driving range 25km	net weight 20kg (without battery)	



Portable, Light, Safe

# JBH FDB01

Excellent Travel Companion

JBH Wheelchair

## Product Features

- One-key fold and unfold mobility scooter
- Dimension: 1010mm×500mm×870mm (L\*W\*H)
- The front wheel: 175mm×50mm×2 PCS PU tire
- The rear wheel: 200mm×75mm×2 PCS PU tire
- The front wheel center wide: 365 mm
- The rear wheel center wide: 430 mm
- Front and rear center distance: 750 mm
- Speed: 0-6 km/H
- Endurance: 25-30 km
- Trench crossing capacity: 25 mm
- Driving mode: rear wheel drive
- Brakes mode: electromagnetic brake DC24V 10.8W 3.0Nm
- Load weight: 125 kg
- The min radius of gyration: 45 mm
- Max gradability: 0-15 °
- Controller: PG controller 45A (made in UK)
- Motor: DC24V, 180W, 4700RPM
- Gear box: 21:1
- The charger: DC24V/2A AC110-250V
- Battery: 24V 12AH lithium battery
- Colors: red, blue, silver, yellow



## Product Parameters



Portable, Light, Safe



# JBH FDB01 Excellent Travel Companion



JBH Wheelchair



Portable, Light, Safe

# JBH DB11

Excellent Travel Companion

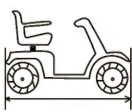

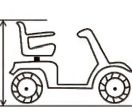

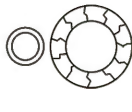


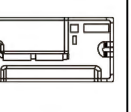
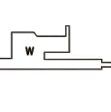
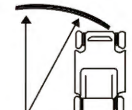

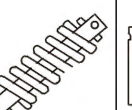
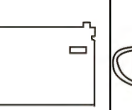


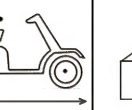
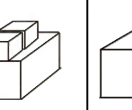
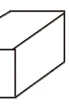
JBH Wheelchair

## Product Features

- Model JBH DB11 mini type scooter is suitable for short distance use, and using at home.
- Its PG controller, intelligent electronic brake and adjustable speed 3-8km/h will keep users safe.
- Battery is designed easy to be taken out from battery box.
- In order to let different body type users get on and off the scooter easily, its seat width is designed adjustable and the armrest can be lifted up.
- The seat height can be adjusted according to user's body height.
- Its high strength plastic wheel hub is beautiful, strong and durable.
- the scooter can be put into trunk by removing its detachable seat, basket, battery.
- Color: red and blue.



## Product Parameters

 overall length 1030mm	 overall width 530mm	 overall height 890mm	 max load 120kg	 Tire solid tire	 gradeability 14	 max speed 9km/h	 controller PG 360	 motor 270w
 turning radius 195mm	 Ground clearance 100mm	 shock absorption system —	 battery 12V 20AH	 charger DC24V/3A	 charging time 7-8h	 Driving range 35km	 net weight 48kg (including battery)	 net weight 32kg (without battery)



Smart, portable, foldable, can stand up itself after folded, removable battery making it more convenient for charging, foam hand increasing comfort operation, adjustable headrest and removable seat make it easy to carry for travel.

Portable, Light, Safe

# JBH DB11

Excellent Travel Companion



JBH Wheelchair

Portable, Light, Safe

# JBH Z01

Excellent Travel Companion -----

JBH Wheelchair

## Product Features

- Fully padded seat, back rest, neck rest and knee pads in easy to clean leather look fabric
- Fully adjustable for various body shapes
- Safely supports up to 125kg/275.5lbs
- Pneumatic tires (50 psi) for top comfort on all terrains
- 360 ° joystick controller
- Maximum distance on fully charged battery, 50km/31 miles
- 3 x 3500N and 1 x 6000N motors for reliable power
- Slope capacity of up to 12°
- Fully balanced wheelchair, with intelligent electromagnetic brake (electronic regenerative disc brake)
- 4 x 12V/20AH Lithium batteries – chargeable on or off board



## Product Parameters

Overall length	112cm/44"
Overall width	66cm/26"
Overall height	110cm/43"
Max load	125kg/275.5lbs
Pneumatic tires	50 psi
Front	18" rim width
Back	4"
Max slope capacity	12°
Seat depth	45cm/18"
Seat width	45cm/18"
Seat height	56cm/22"
Height of extended back rest	60 cm/23.5"
Arm rest height	36cm/14"
Net weight	125KG
Net weight plus packaging	11.5kg/25lb

Portable, Light, Safe

# JBH Z01

Excellent Travel Companion



JBH Wheelchair

Portable, Light, Safe

# JBH X01

Excellent Travel Companion

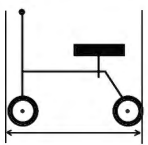
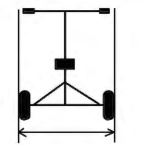
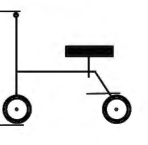

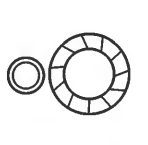
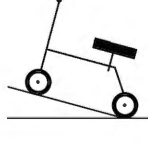
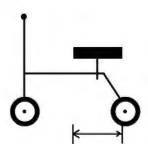

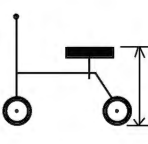
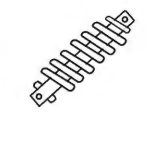
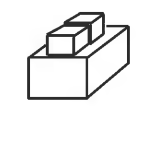
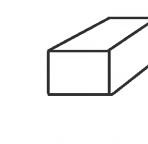
JBH Wheelchair

## Product Features

- This knee walker/scooter is suitable for those whose lower limbs are disabled or for normal people walking.
- Its whole integral steel tube welded frame is very steady and firm.
- Heights of handle bar and knee cushion are adjustable.
- The handle is foldable.
- It adopts back wheel band-type brake, which is anti-slip.
- Color: red, yellow, blue, white and black .



## Product Parameters

 overall length 780mm	 overall width 420mm	 overall height 775-1015mm (adjustable)	 max load 160kg	 Tire 8 inch PU solid tire	 gradeability 8
 seat depth 360mm	 seat width 180mm	 seat height 425-570mm	 shock absorption system no	 net weight 10.5kg	 gross weight 11.5kg (Packaging)

Portable, Light, Safe



Accept customized colors, adjustable seat height, adjustable column, PU solid and wearable tire.

# JBH X01

Excellent Travel Companion



JBH Wheelchair

Portable, Light, Safe



# 布局全球

## Global layout

THE WORKSPACE IS ARRANGED TO HELP  
YOU FOCUS ON CREATING  
AND EDITING IMAGES.

THE WORKSPACE INCLUDES  
MENUS AND A VARIETY OF TOOLS AND

PALETTES FOR VIEWING,  
EDITING AND ADDING



Nanjing Jin Bai He Medical Apparatus Co., Ltd.

Add: No.12, Wuge Rd, Jiangning, Nanjing, Jiangsu 211113, China.

Hot Line: +86 025-85780699

[www.jbhwheelchair.com](http://www.jbhwheelchair.com)