

# Product Brochure



## | ABOUT US

Tianjin Harvest High Pressure Pump Co.,Ltd.

is a professional producer engaged in development, production and sales of high pressure plunger pump.

For decades the company has always been committed to technological and management innovation.

To ensure product quality by perfect quality management system, advanced management mode and detecting system) and we insist that product quality is the cornerstone, providing satisfied products and best service to customers is our mission.

Our company is strong in technology and production equipment, we have approved by ISO 9001: 2008 Quality Management System Certification and Coal Mine Product Safety Sign Authentication as well.

Fully implementing ERP information enterprise management mode.



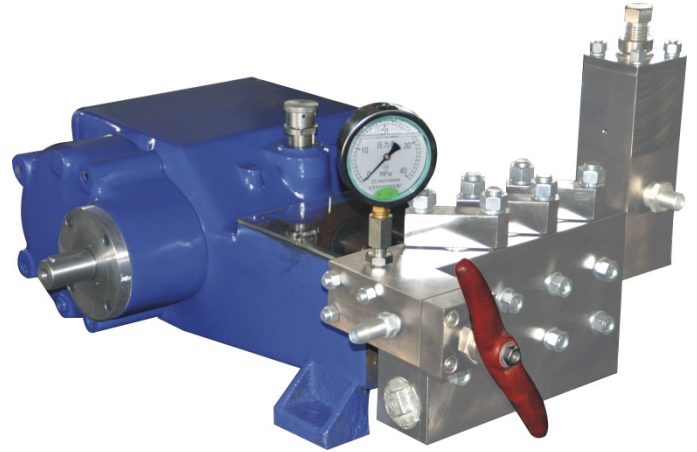


# Tianjin Harvest High Pressure Pump Co., Ltd.

Add.: No.68, Tonghang Rd.,  
 Dongli Airport Economic Zone,  
 Tianjin, China, 300000  
 Tel: 0086-22-24863818  
 Mobile: 0086-13323318160  
 Email: hwstsandy@tjhwst.com

## Model No. 3D1-S

3D1-S series high pressure pumps are suitable for pipe cleaning, work-piece cleaning, sand cleaning, derusting, liquid transportation, liquid transmission and engineering excavation etc., as well as pressure test for a variety of hoses, metal pipes, oilfield drilling equipment. It can pump clear water, emulsion, and other chemical liquid similar with clear water.



Drive Speed r/min		RPM		1480		Plunger Stroke mm		60						
Gear Ratio i		3.650		Gear Ratio i		2.917								
Pump Speed r/min		400		Pump Speed r/min		500								
Power kW		7.5	11	15	18.5	22	Plunger Dia. mm	7.5	11	15	18.5	22	Power kW	
Rated Flow		Pressure bar						Pressure bar					Rated Flow	
m <sup>3</sup> / h	L/min											L/min	m <sup>3</sup> / h	
1.02	17	200	270				18	160	220	280			21	1.26
1.26	21	170	240	280			20	140	200	270			26	1.56
1.5	25	150	220	260	280		22	120	180	250	280		32	1.92
1.8	30	130	180	250	270		24	100	120	220	240	280	38	2.28
1.92	32	120	170	220	260		25	90	140	180	240	270	40	2.4
2.4	40	90	140	180	240	270	28	80	110	150	180	220	50	3.0
2.88	48	80	120	160	200	230	30	70	100	130	160	180	60	3.6
3.3	55	70	100	140	170	200	32	60	90	110	140	170	65	3.9
3.96	66	60	90	120	150	170	35	50	70	100	120	140	80	4.8
5.1	85	50	70	90	110	130	40	40	60	80	90	110	105	6.3
6.3	105	40	60	80	90	110	45	30	40	60	70	80	135	8.1
7.92	132	25	35	50	60	80	(50)	20	30	40	55	60	165	9.9

Pump weight: 271kg Base: 90kg

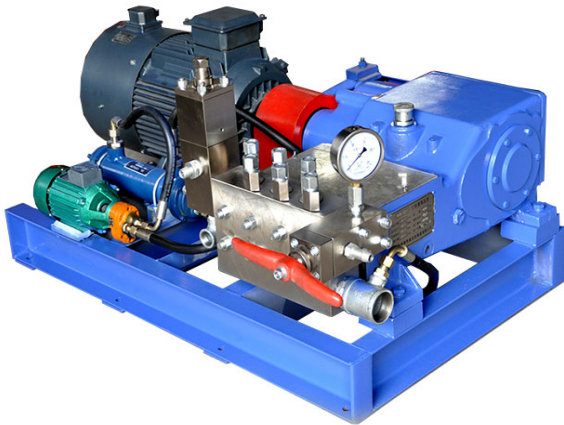


# Tianjin Harvest High Pressure Pump Co., Ltd.

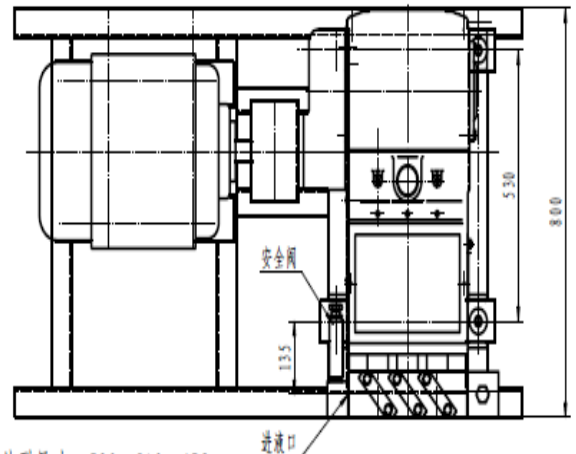
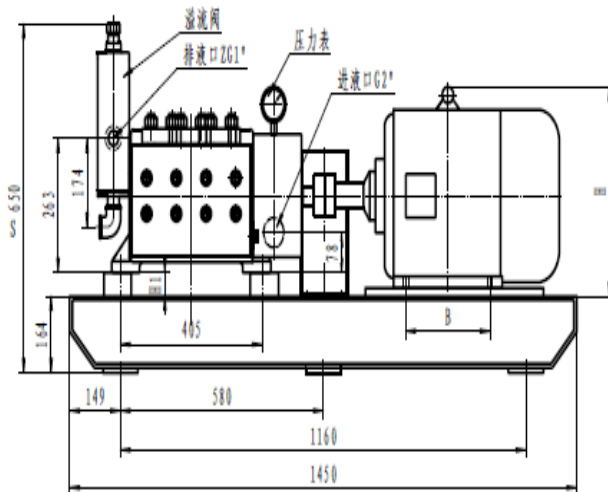
Add.: No.68, Tonghang Rd.,  
 Dongli Airport Economic Zone,  
 Tianjin, China, 300000  
 Tel: 0086-22-24863818  
 Mobile: 0086-13323318160  
 Email: hwstsandy@tjhwst.com

## Pump Washing Unit

Model No. 3D1-SZ



MAX.FLOW:165L/min; MAX.PRESSURE:28MPa



泵体外型尺寸: 790×510×475

# Tianjin Harvest High Pressure Pump Co., Ltd.

Email: hwstsandy@tjhwst.com

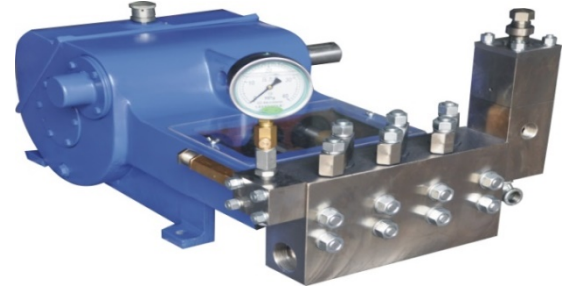


# Tianjin Harvest High Pressure Pump Co., Ltd.

Add.: No.68, Tonghang Rd.,  
 Dongli Airport Economic Zone,  
 Tianjin, China, 300000  
 Tel: 0086-22-24863818  
 Mobile: 0086-13323318160  
 Email: hwstsandy@tjhwst.com

## Model No. 3D2-S

3D2-S series high pressure pumps are small in size and compact in structure; power end adopt splash or forced lubrication with a stable and reliable transmission, reducing the friction coefficient and improving the lubricity; power end temperature rise are low, suitable for long time continuous operation; it can pump clear water, emulsion, and other chemical liquid similar with clear water.



These pumps are applied to coal excavation with high pressure water jetting, hydraulic liquid supply under the well, high pressure water jetting, metallurgy descaling, powder metallurgy, ship hull derusting, basic engineering, liquid transportation, engineering and pressure test for various rubber hose, metal tube and oilfield drilling equipment as well.

Drive Speed r/min RPM		1480						Plunger Stroke mm						95		
Gear Ratio i		3.652						Gear Ratio i						2.963		
Pump Speed r/min		405						Pump Speed r/min						500		
Power kW	30	37	45	55	75	90	Plunger Dia. mm	30	37	45	55	75	90	Power kW		
Rated Flow	Pressure bar							Pressure bar						Rated Flow		
m <sup>3</sup> /h	L/min														L/min	m <sup>3</sup> /h
1.62	27	500					18	430						34	2.04	
2.04	34	430					20	350	430					42	2.52	
2.4	40	370	460				22	300	360	450				50	3	
2.94	49	300	360	450			24	230	300	370	460			60	3.6	
3.12	52	280	350	420	520		25	220	280	350	420			65	3.9	
3.42	57	260	320	400	480		26	210	260	320	400			70	4.2	
3.96	66	230	280	340	420		28	180	220	280	330	460		80	4.8	
4.5	75	200	250	300	360	500	30	160	190	240	300	400	480	95	5.7	
5.1	85	170	220	260	340	450	32	140	170	220	260	360	450	105	6.3	
6.12	102	150	180	220	28	360	35	120	150	180	220	300	360	125	7.5	
7.26	121	120	150	190	230	300	38	100	120	150	180	250	300	150	9	
8.1	135	110	140	170	210	280	40	90	110	140	170	240	280	170	10.2	
9	150	100	120	150	180	250	42	80	100	120	150	200	240	185	11.1	
10.2	170	90	110	140	170	240	45	70	90	110	130	180	220	215	12.9	
10.8	180	80	100	120	150	210	46	60	80	100	120	170	200	220	13.2	
11.6	194	70	90	110	140	190	230	(48)								
12.6	210	70	80	100	130	180	210	(50)								

Pump weight: 342kg Base: 116kg



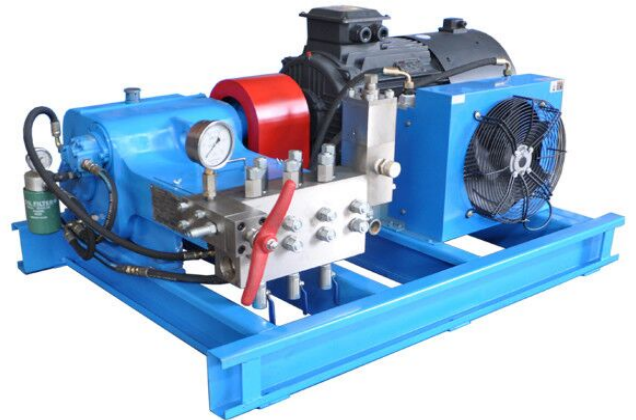


# Tianjin Harvest High Pressure Pump Co., Ltd.

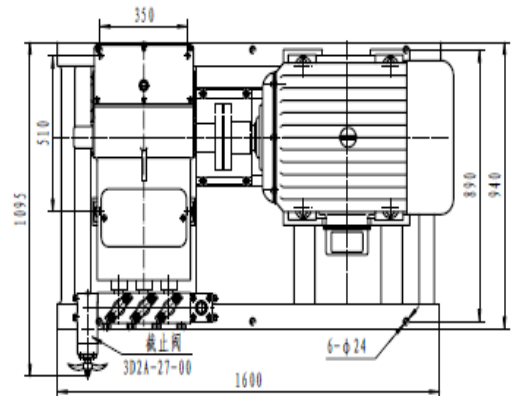
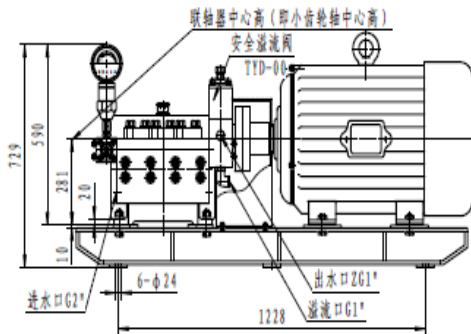
Addr.: No.68, Tonghang Rd.,  
Dongli Airport Economic Zone,  
Tianjin, China, 300000  
Tel: 0086-22-24863818  
Mobile: 0086-13323318160  
Email: hwstsandy@tjhwst.com

## Pump Washing Unit

Model No. 3D2 -SZ



MAX.FLOW: 220L/min; MAX.PRESSURE: 50MPa



# Tianjin Harvest High Pressure Pump Co., Ltd.

Email: hwstsandy@tjhwst.com

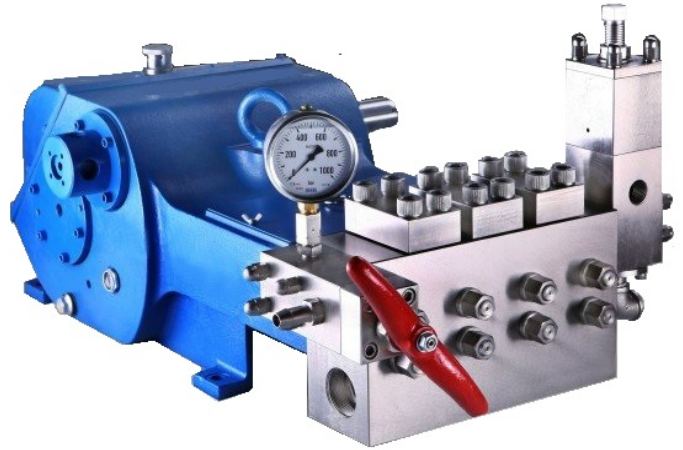


# Tianjin Harvest High Pressure Pump Co., Ltd.

Add.: No.68, Tonghang Rd.,  
 Dongli Airport Economic Zone,  
 Tianjin, China, 300000  
 Tel: 0086-22-24863818  
 Mobile: 0086-13323318160  
 Email: hwstsandy@tjhwst.com

## Model No. 3DK-S

3DK-S series high pressure pumps are small in size and compact in structure; power ends adopt splash or forced lubrication with a stable and reliable transmission, reducing the friction coefficient and improving the lubricity; power ends temperature rise are low, suitable for long time continuous operation; it can pump clear water, emulsion, and other chemical liquid similar with clear water. These pumps are applied to coal excavation with high pressure water jetting, hydraulic liquid supply under the well, high pressure water jetting, metallurgy descaling, powder metallurgy, ship hull derusting, basic engineering, liquid transportation, engineering and pressure test for various rubber hose, metal tube and oilfield drilling equipment as well.



The liquid ends are improved on the basis of our pump 3D2-S and the discharged pressure is increased to 700bar, which can be suited for more applications.

Drive Speed r/min		RPM		1480		Plunger Stroke mm		95						
Gear Ratio i		3.652		Gear Ratio i		2.963								
Pump Speed r/min		405		Pump Speed r/min		500								
Power kW		37	45	55	75	90	Plunger Dia. mm	37	45	55	75	90	Power kW	
Rated Flow		Pressure bar						L/min	Pressure bar					Rated Flow
m <sup>3</sup> / h	L/min													L/min
1.62	27	650	800				18	550	650	750			34	2.04
2.04	34	550	650	800			20	430	520	650	750		42	2.52
2.4	40	460	550	680	800		22	360	450	550	700	800	50	3
2.94	49	360	450	570	750	800	24	300	370	460	610	750	60	3.6
3.12	52	350	420	520	700	780	25	280	350	420	580	700	65	3.9
3.42	57	320	400	480	650	760	26	260	320	400	530	660	700	4.2
3.96	66	280	340	420	580	680	28	220	280	340	470	560	800	4.8
4.5	75	250	300	360	500	600	30	190	240	300	400	480	950	5.7

Pump weight: 357kg Base: 116kg

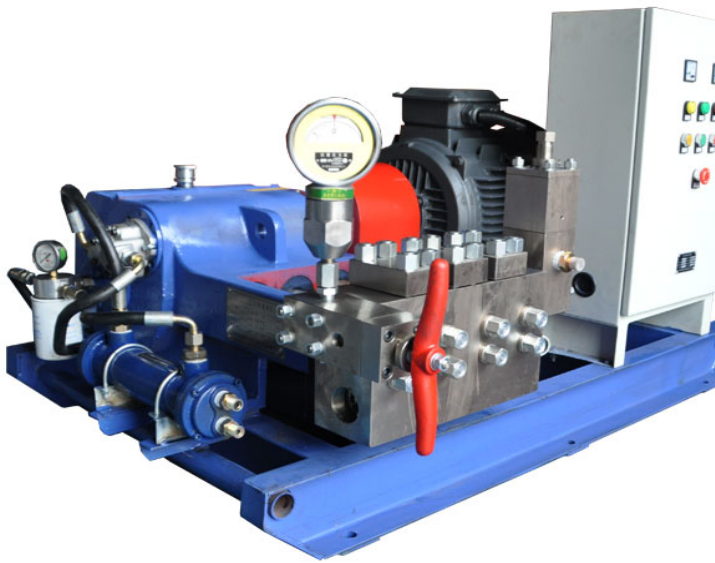


# Tianjin Harvest High Pressure Pump Co., Ltd.

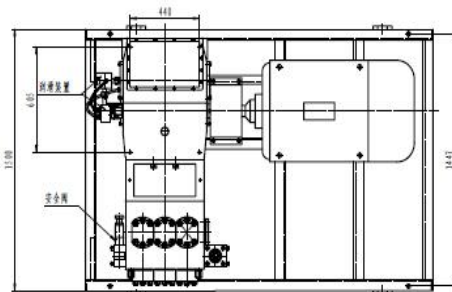
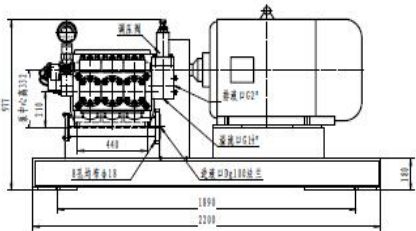
Add.: No.68, Tonghang Rd.,  
Dongli Airport Economic Zone,  
Tianjin, China, 300000  
Tel: 0086-22-24863818  
Mobile: 0086-13323318160  
Email: hwstsandy@tjhwst.com

## Pump Washing Unit

Model No. 3DK-SZ



MAX.FLOW: 95L/min; MAX.PRESSURE: 80MPa



# Tianjin Harvest High Pressure Pump Co., Ltd.

Email: hwstsandy@tjhwst.com

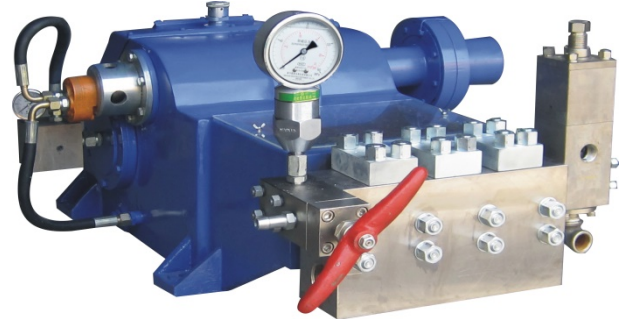


# Tianjin Harvest High Pressure Pump Co., Ltd.

Add.: No.68, Tonghang Rd.,  
 Dongli Airport Economic Zone,  
 Tianjin, China, 300000  
 Tel: 0086-22-24863818  
 Mobile: 0086-13323318160  
 Email: hwstsandy@tjhwst.com

## Model No. 3D2A-S

3D2A-S series high pressure pumps are improved on the basis of the pump 3D2-S. The characteristics are as follow: The volume of lubrication oil in crankcase increases which improves lubricity and oil temperature rise is low; The crankshaft diameter increases so that increases the strength of crankshaft and the transmission power is bigger, the output pressure of the pump is bigger, thus the application scope is wider; In power end, the crankshaft and connecting rod adopts forced lubrication with lower friction coefficient, good lubrication, stable driving, low temperature rise and suitable for long time continuous operation. The pump is applied to high pressure water jetting auxiliary flow cleaning, metallurgy descaling, powder metallurgy, shipping derusting, basic engineering, liquid transportation, engineering and pressure test for various rubber hose, metal tube and oilfield drilling equipment as well. It can pump clear water, emulsion, and other chemical liquid similar with clear water.



Drive Speed r/min		RPM		1480		Plunger Stroke mm		100	
Gear Ratio i		4.45		Pump Speed r/min		332			
Power kW		30	37	45	55	75	90	Plunger	
Rated Flow		Pressure bar						Dia.	
m <sup>3</sup> / h	L/min							mm	
1.5	25	630	750					18	
1.68	28	560	670	800				19	
1.8	30	530	640	800				20	
2.22	37	430	500	620	750			22	
2.7	45	350	420	510	650			24	
2.88	48	320	400	480	600	750		25	
3.12	52	300	360	440	540	750		26	
3.6	60	250	300	400	470	650	750	28	
4.2	70	220	280	330	420	560	700	30	
4.8	80	180	240	300	360	500	600	32	
5.7	95	150	200	250	300	420	500	35	
7.5	125	120	150	190	230	320	380	40	
9.48	158	100	120	150	180	250	300	45	
10.8	180	90	110	130	160	220	270	(48)	
11.7	195	80	100	120	150	200	250	(50)	

Pump weight: 586kg Base: 140kg

# Tianjin Harvest High Pressure Pump Co., Ltd.

Email: hwstsandy@tjhwst.com





# Tianjin Harvest High Pressure Pump Co., Ltd.

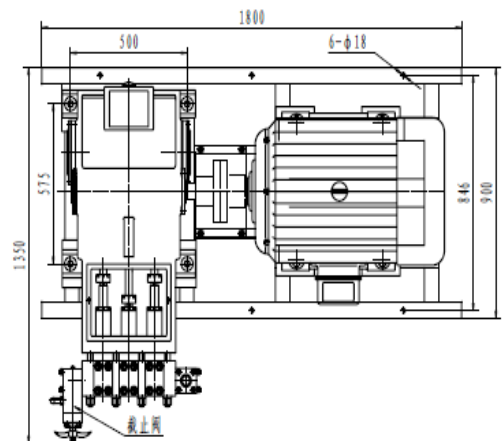
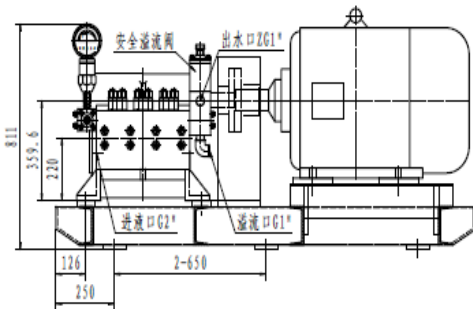
Add.: No.68, Tonghang Rd.,  
Dongli Airport Economic Zone,  
Tianjin, China, 300000  
Tel: 0086-22-24863818  
Mobile: 0086-13323318160  
Email: hwstsandy@tjhwst.com

## Pump Washing Unit

Model No. 3D2A-SZ



MAX.FLOW: 195L/min; MAX.PRESSURE: 75MPa



# Tianjin Harvest High Pressure Pump Co., Ltd.

Email: hwstsandy@tjhwst.com

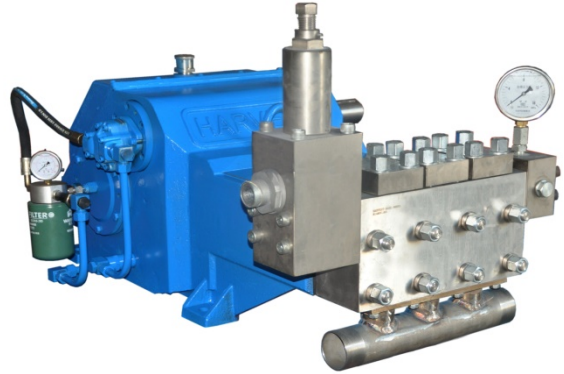


# Tianjin Harvest High Pressure Pump Co., Ltd.

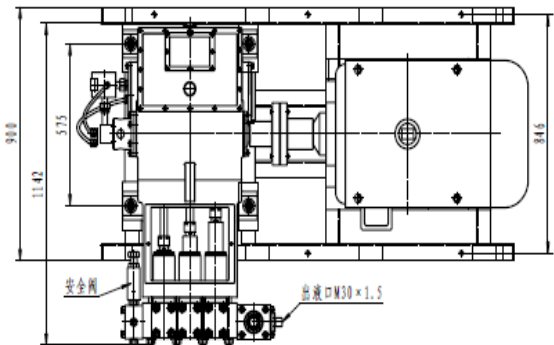
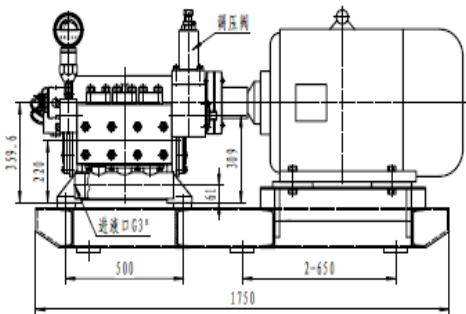
Add.: No.68, Tonghang Rd.,  
 Dongli Airport Economic Zone,  
 Tianjin, China, 300000  
 Tel: 0086-22-24863818  
 Mobile: 0086-13323318160  
 Email: hwstsandy@tjhwst.com

## Model No. 3D2C-S

3D2C-S series high pressure pumps are improved on the basis of the pump 3D2A-S which are large flow plunger pumps with power max. 110kW and flow max. 415L/min. These pumps are applied to metallurgy descaling, secondary oil recovery in oilfields, tertiary oil injection, injection, ground power source for hydraulic plunger pumps and other industrial applications requiring large flow rates. It can pump clear water, emulsion, and other chemical liquid similar with clear water.



Drive Speed r/min RPM		1480		Plunger Stroke mm		100
Gear Ratio i		3.54		Pump Speed r/min		418
Power kW		75	90	110	Plunger Dia. mm	
Rated Flow		Pressure bar				
m <sup>3</sup> / h	L/min					
14.76	246	160	190	240	50	
17.82	297	130	160	190	55	
21.24	354	110	140	160	60	
24.9	415	95	110	140	65	
Pump weight: 630kg Base: 140kg						



# Tianjin Harvest High Pressure Pump Co., Ltd.

Email: hwstsandy@tjhwst.com

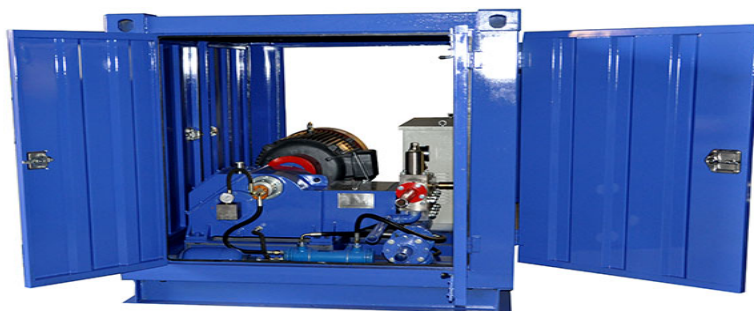


# Tianjin Harvest High Pressure Pump Co., Ltd.

Add.: No.68, Tonghang Rd.,  
Dongli Airport Economic Zone,  
Tianjin, China, 300000  
Tel: 0086-22-24863818  
Mobile: 0086-13323318160  
Email: hwstsandy@tjhwst.com

## Pump Washing Unit

Model No. 3D2C-SZ



MAX.FLOW: 415L/min; MAX.PRESSURE: 24MPa

# Tianjin Harvest High Pressure Pump Co., Ltd.

Email: hwstsandy@tjhwst.com

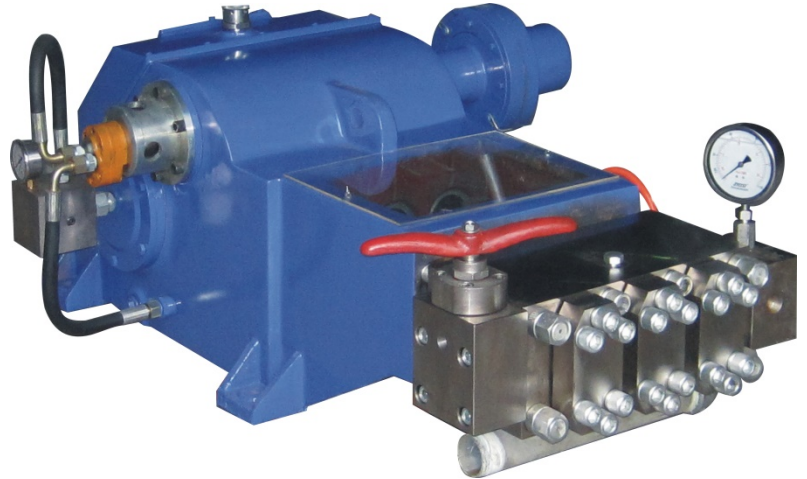


# Tianjin Harvest High Pressure Pump Co., Ltd.

Add.: No.68, Tonghang Rd.,  
 Dongli Airport Economic Zone,  
 Tianjin, China, 300000  
 Tel: 0086-22-24863818  
 Mobile: 0086-13323318160  
 Email: hwstsandy@tjhwst.com

## Model No. 3D2D-S

3D2D-S series high pressure pumps are improved on the basis of the pump 3D2A-S. The liquid ends are update designed horizontal pump head which solved the problem of the pump head strength for ultra-high pressure pumps. They are in compact structure, convenient to operation and maintenance and applied to



ultra-high pressure water jet cleaning, metal cutting, ship hull cleaning and derusting, as well as the cleaning for condenser, heat exchanger, evaporation container, boiler, also other kinds of pots and caldrons which are used in chemical plant, sugar plant, and power plant. It can pump clear water, emulsion, and other chemical liquid similar with clear water.

Drive Speed r/min RPM		1480		Plunger Stroke mm		100
Gear Ratio i		4.45		Pump Speed r/min		332
Power kW		55	75	90	110	Plunger Dia. mm
Rated Flow		Pressure bar				
m <sup>3</sup> / h	L/min					
1.2	20	1400	1500			16
1.5	25	1100	1500			18
1.68	28	1040	1400	1500		19
1.8	30	950	1300	1500		20
2.22	37	750	1000	1300	1500	22
2.7	45	650	850	1000	1250	24
2.88	48	600	800	950	1150	25
3.12	52	540	750	900	1050	26
3.6	60	470	650	800	950	28
4.2	70	420	560	700	850	30
4.8	80	360	500	600	720	32

Pump weight: 627kg Base: 140kg



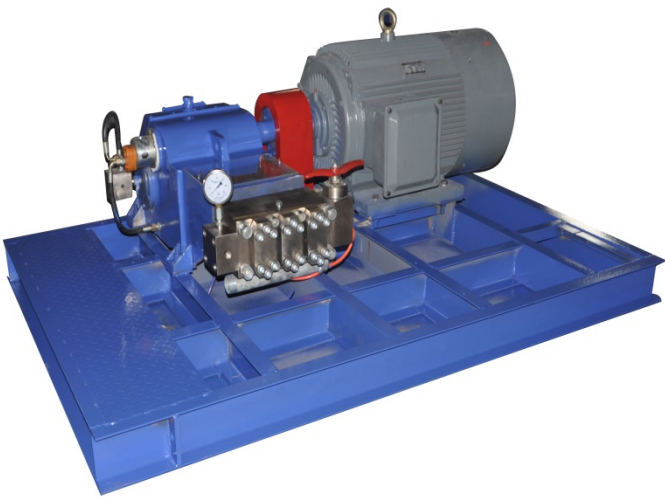


# Tianjin Harvest High Pressure Pump Co., Ltd.

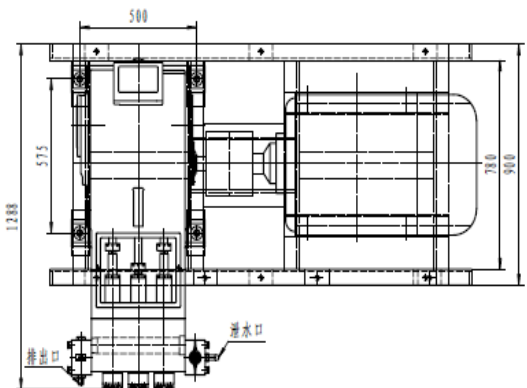
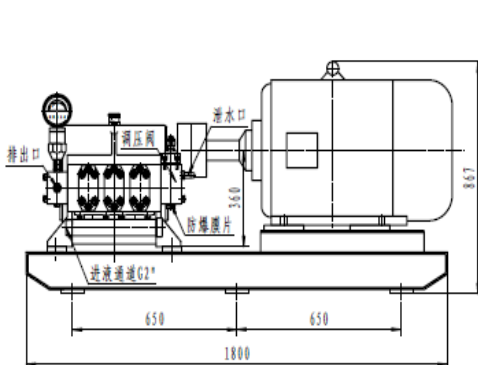
Add.: No.68, Tonghang Rd.,  
Dongli Airport Economic Zone,  
Tianjin, China, 300000  
Tel: 0086-22-24863818  
Mobile: 0086-13323318160  
Email: hwstsandy@tjhwst.com

## Pump Washing Unit

Model No. 3D2D-SZ



MAX.FLOW: 80L/min; MAX.PRESSURE: 150MPa



# Tianjin Harvest High Pressure Pump Co., Ltd.

Email: hwstsandy@tjhwst.com

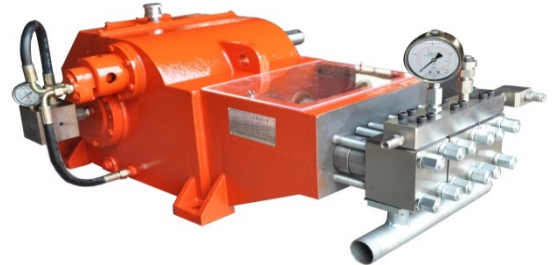


# Tianjin Harvest High Pressure Pump Co., Ltd.

Add.: No.68, Tonghang Rd.,  
 Dongli Airport Economic Zone,  
 Tianjin, China, 300000  
 Tel: 0086-22-24863818  
 Mobile: 0086-13323318160  
 Email: hwstsandy@tjhwst.com

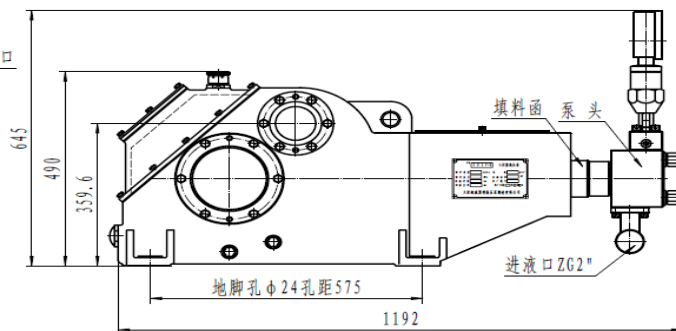
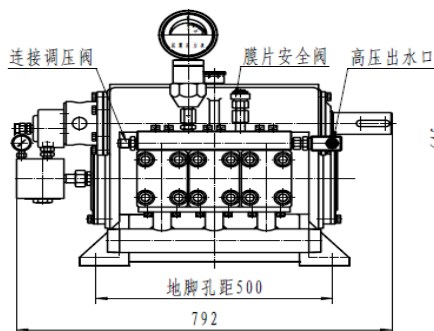
## Model No. 3D2F-S

3D2F-S series high pressure pumps are the latest products of our company with a maximum working pressure of 1500bar. The power ends have a maximum matching power of 110kW, the liquid ends adopt split structure, a new type of plunger cooling circulation device, and a modular inlet and outlet valve group for convenient use and maintenance.



These pumps are applied to power plant heat exchangers, condenser cleaning, boiler descaling cleaning, and highway marking line cleaning etc. It can pump clear water, fire water, emulsion and other chemical liquid similar with clear water.

Drive Speed r/min RPM		1480		Plunger Stroke mm		100	
Gear Ratio i		4.45		Pump Speed r/min		332	
Power kW		75		90		110	
Rated Flow		Pressure bar				Plunger Dia. mm	
m <sup>3</sup> / h	L/min						
1.2	20	(2000)				16	
15.	25	1500				18	
1.8	30	1300		1500		20	
2.22	37	1000		1300		22	
2.7	45	850		1000		24	
2.88	48	800		900		25	
Pump weight: 542kg Base: 140kg							



# Tianjin Harvest High Pressure Pump Co., Ltd.

Email: hwstsandy@tjhwst.com

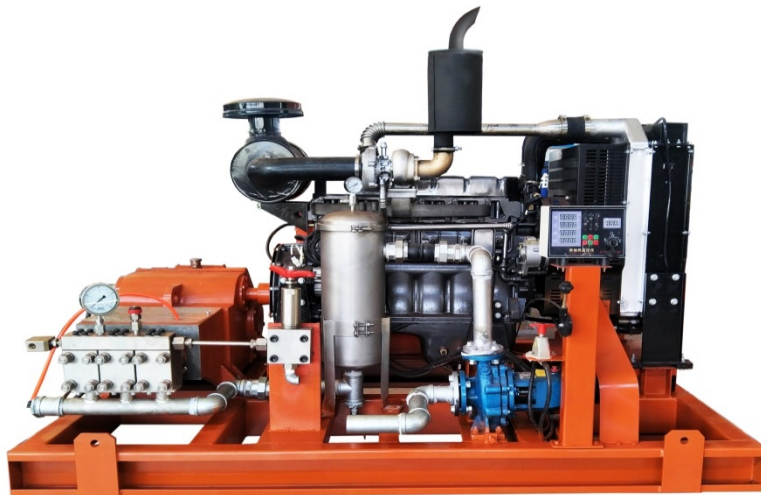


# Tianjin Harvest High Pressure Pump Co., Ltd.

Add.: No.68, Tonghang Rd.,  
Dongli Airport Economic Zone,  
Tianjin, China, 300000  
Tel: 0086-22-24863818  
Mobile: 0086-13323318160  
Email: hwstsandy@tjhwst.com

## Pump Washing Unit

Model No. 3D2F-SZ



MAX.FLOW: 48L/min; MAX.PRESSURE: 150MPa

# Tianjin Harvest High Pressure Pump Co., Ltd.

Email: hwstsandy@tjhwst.com

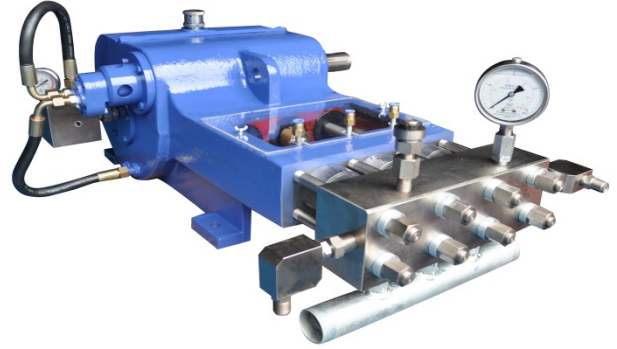


# Tianjin Harvest High Pressure Pump Co., Ltd.

Add.: No.68, Tonghang Rd.,  
 Dongli Airport Economic Zone,  
 Tianjin, China, 300000  
 Tel: 0086-22-24863818  
 Mobile: 0086-13323318160  
 Email: hwstsandy@tjhwst.com

## Model No. 3D2HP-S

3D2HP-S series high pressure pumps are new high pressure pumps developed by our company. Based on the mature power end of 3D2 pump, the maximum input power is 90kW, matching the new liquid end with maximum working pressure 1500bar. Cylinder adopts independent circulation cooling technology that optimizes the plunger sealing working environment, modular inlet & outlet valve group and integral pump head structure improve the generalization of components. This pump can be used in power plant heat exchangers, condenser cleaning and descaling, chemical industry tube bundle cleaning, and matching different cleaning accessories can complete various cleaning operations in the 1000-1500bar working condition. It can pump clear water, emulsion, and other chemical liquid similar with clear water.



Drive Speed r/min RPM		1480		Plunger Stroke mm			95
Gear Ratio i		3.65		Pump Speed r/min			405
Power kW		37	45	55	75	90	Plunger Dia. mm
Rated Flow		Pressure bar					
m <sup>3</sup> / h	L/min						
1.74	29	600	750	950	1300	1500	18
2.16	36	520	600	750	1050	1250	20
2.64	44	420	520	650	850	1050	22
3.12	52	380	450	550	750	900	24
3.42	57	330	420	500	700	820	25
Pump weight: 350kg Base: 116kg							





# Tianjin Harvest High Pressure Pump Co., Ltd.

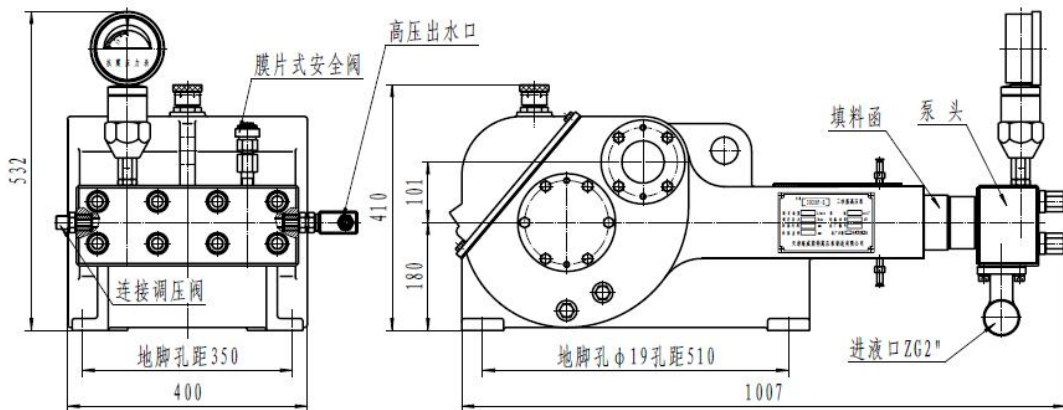
Add.: No.68, Tonghang Rd.,  
Dongli Airport Economic Zone,  
Tianjin, China, 300000  
Tel: 0086-22-24863818  
Mobile: 0086-13323318160  
Email: hwstsandy@tjhwst.com

## Pump Washing Unit

Model No. 3D2HP-SZ



MAX.FLOW: 57L/min; MAX.PRESSURE: 150MPa



# Tianjin Harvest High Pressure Pump Co., Ltd.

Email: hwstsandy@tjhwst.com

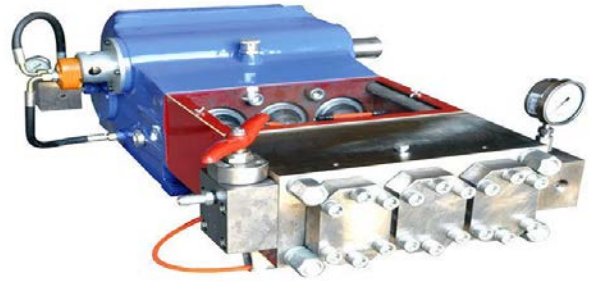


# Tianjin Harvest High Pressure Pump Co., Ltd.

Add.: No.68, Tonghang Rd.,  
 Dongli Airport Economic Zone,  
 Tianjin, China, 300000  
 Tel: 0086-22-24863818  
 Mobile: 0086-13323318160  
 Email: hwstsandy@tjhwst.com

## Model No. 3D3Q-S

3D3Q-S series high pressure pumps are kind of ultra-high pressure plunger pumps which absorb and draw lessons from import products technology and adopt finite element meticulous checking. The pressure is up to 1600bar and the flow rate is 40L/min- 93L/min. These pumps are applied to ultra-high pressure water jet cleaning, metal cutting, ship hull derusting as well as the cleaning for condenser, heat exchanger, evaporation container, boiler, also other kinds of pots and caldrons which are used in chemical plant, sugar plant, and power plant. It can pump clear water, emulsion, and other chemical liquid similar with clear water.



Drive Speed r/min RPM		1480		Plunger Stroke mm		120
Gear Ratio i		4.04		Pump Speed r/min		366
Power kW		90	110	132	160	Plunger Dia. mm
Rated Flow		Pressure bar				
m <sup>3</sup> / h	L/min					
1.98	33	1400	(1600)			18
2.4	40	1200	1450	(1600)		20
3.0	50	950	1200	1400	(1600)	22
3.6	60	800	1000	1150	1400	24
4.2	70	700	850	1000	1200	26
4.8	80	560	700	850	1000	28
5.58	93	500	600	700	900	30
6.3	105	450	500	650	800	32
Pump weight: 837kg Base: 220kg						

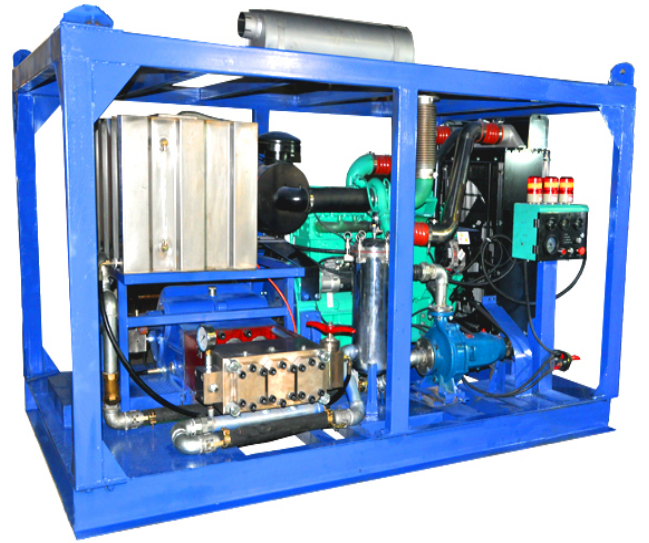


# Tianjin Harvest High Pressure Pump Co., Ltd.

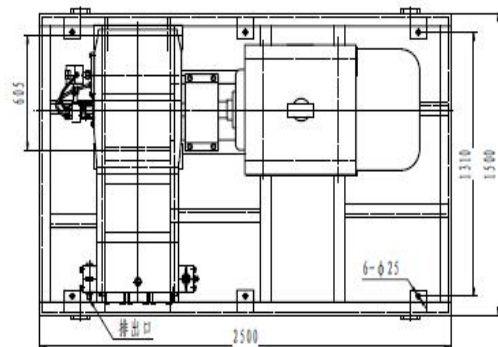
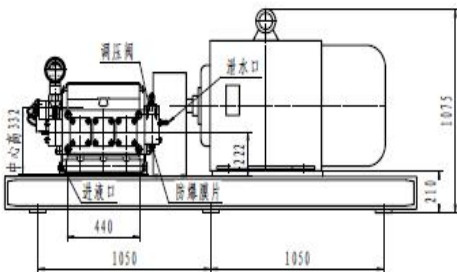
Add.: No.68, Tonghang Rd.,  
Dongli Airport Economic Zone,  
Tianjin, China, 300000  
Tel: 0086-22-24863818  
Mobile: 0086-13323318160  
Email: hwstsandy@tjhwst.com

## Pump Washing Unit

Model No. 3D3Q-SZ



MAX.FLOW: 105L/min; MAX.PRESSURE: 160MPa



# Tianjin Harvest High Pressure Pump Co., Ltd.

Email: hwstsandy@tjhwst.com



# Tianjin Harvest High Pressure Pump Co., Ltd.

Add.: No.68, Tonghang Rd.,  
 Dongli Airport Economic Zone,  
 Tianjin, China, 300000  
 Tel: 0086-22-24863818  
 Mobile: 0086-13323318160  
 Email: hwstsandy@tjhwst.com

## Model No. K20000-S

K20000 series high-pressure pumps are high-flow plunger pumps that absorb the technology of imported products and use finite element to check carefully. The liquid ends can be equipped with a valve disc structure or a conical valve structure into the liquid discharge valve group to meet different working conditions. The maximum power is 200kW. These pumps are applied to metallurgy descaling, secondary oil recovery in oilfields, tertiary oil injection, injection, ground power source for hydraulic plunger pumps and other industrial applications requiring large flow rates. It can pump clear water, emulsion, and other chemical liquid similar with clear water.



Drive Speed r/min RPM		1480				Plunger Stroke mm				120		
Gear Ratio i		4.04				Gear Ratio i				4.619		
Pump Speed r/min		366				Pump Speed r/min				320		
Power kW		110	132	160	200	Plunger Dia. mm	110	132	160	200	Power kW	
Rated Flow		Pressure bar					Pressure bar				Rated Flow	
m <sup>3</sup> / h	L/min										L/min	m <sup>3</sup> / h
9.3	155	350				40	330				135	8.1
11.4	190	290	330			44	330				165	9.9
11.7	195	280	330			45	310	330			173	10.38
13.5	225	240	290	330		48	280	330			195	11.7
14.4	240	220	270	330		50	250	310	330		213	12.78
15.6	260	210	250	300		52	240	280	330		230	13.8
17.7	295	190	220	270	300	55	210	250	300	330	258	15.48
21	350	160	190	230	250	60	180	210	260	320	307	18.42
22.2	370	150	180	210	240	62	170	200	240	300	325	19.5
23.1	385	140	170	200	230	63	160	190	230	290	335	20.1
24.9	415	130	160	190	210	65	150	180	220	270	361	21.66
28.8	480	100	130	170	190	70	130	150	190	240	418	25.08
30	500	100	120	160	180	72	120	140	180	220	440	26.4
32.7	545	90	110	140	(170)	(75)	110	130	160	(210)	475	28.5
37.2	620	80	100	120	(160)	(80)	100	120	140	(180)	540	32.4

Pump weight: 980kg Base: 220kg





# Tianjin Harvest High Pressure Pump Co., Ltd.

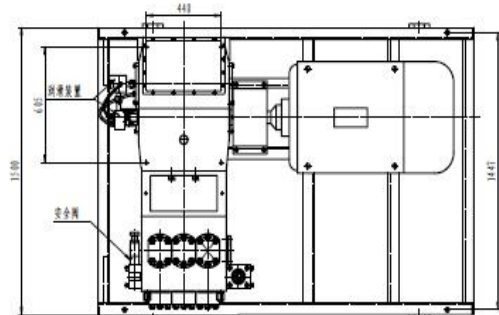
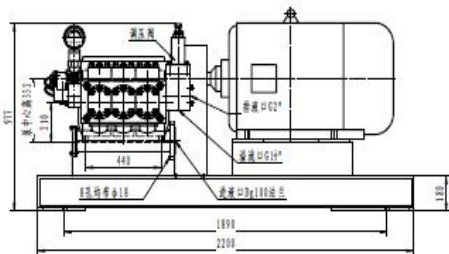
Add.: No.68, Tonghang Rd.,  
Dongli Airport Economic Zone,  
Tianjin, China, 300000  
Tel: 0086-22-24863818  
Mobile: 0086-13323318160  
Email: hwstsandy@tjhwst.com

## Pump Washing Unit

Model No. K20000-SZ



MAX.FLOW: 620L/min; MAX.PRESSURE: 33MPa



# Tianjin Harvest High Pressure Pump Co., Ltd.

Email: hwstsandy@tjhwst.com

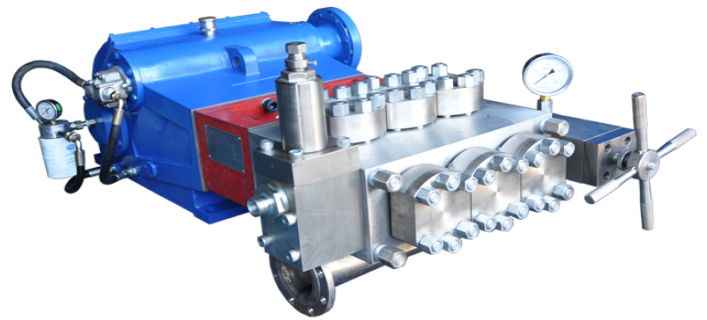


# Tianjin Harvest High Pressure Pump Co., Ltd.

Add.: No.68, Tonghang Rd.,  
 Dongli Airport Economic Zone,  
 Tianjin, China, 300000  
 Tel: 0086-22-24863818  
 Mobile: 0086-13323318160  
 Email: hwstsandy@tjhwst.com

## Model No. K25000-S

K25000 series high-pressure pumps are low-pressure and large-flow pump developed by our company. They use 250 power ends and match various transmission speed ratios. The maximum input power is 250kW. The liquid ends adopt K20000 liquid end mature technology. At the same time, according to the customer's requirements, liquid ends can be equipped with a valve disc structure or a conical valve structure into the liquid discharge valve group to meet different working conditions. The pumps have a maximum working pressure of 320bar and a maximum flow of 760L/min for continuous and stable operation. They can be used in metallurgical dephosphorization system, ship hull cleaning, large pipeline system pressure test, oil field water injection and various high flow high pressure fluid transportation conditions. It can pump clear water, emulsions and liquids with chemical properties similar to clear water.



Drive Speed r/min		RPM		1480		Drive Speed r/min		RPM		1800(Diesel Engine)			
Gear Ratio i		3.5		Plunger Stroke mm		130							
Pump Speed r/min		422		Pump Speed r/min		514							
Power kW		160	200	220	250	Plunger	160	200	255	280	335	Power kW	
Rated Flow		Pressure bar				Dia. mm	Pressure bar					Rated Flow	
m <sup>3</sup> / h	L/min											L/min	m <sup>3</sup> / h
23.4	390	220	270	280	330	55	150	170	220	250	280	476	28.56
27.9	465	180	220	250	280	60	13	150	180	210	250	566	33.96
30.72	512	160	200	220	260	63	12	140	160	190	220	624	37.44
32.7	545	150	180	200	240	65	11	130	150	180	210	664	39.84
35.82	597	140	170	190	220	68	10	120	140	170	190	727	43.62
37.98	633	130	160	180	210	70	9	110	130	160	180	771	46.26
40.14	669	120	150	170	190	72	8	100	120	150	170	815	48.9
43.56	726	110	140	160	180	75	7	90	110	140	160	885	53.1
49.56	826	90	110	130	150	80	6	80	100	120	140	1007	60.42

Pump weight: 1100kg Base: 220kg



# Tianjin Harvest High Pressure Pump Co., Ltd.

Add.: No.68, Tonghang Rd.,  
 Dongli Airport Economic Zone,  
 Tianjin, China, 300000  
 Tel: 0086-22-24863818  
 Mobile: 0086-13323318160  
 Email: hwstsandy@tjhwst.com

Drive Speed r/min RPM		1480					Drive Speed r/min RPM					1800(Diesel Engine)	
Gear Ratio i		4.086					Plunger Stroke mm					130	
Pump Speed r/min		362					Pump Speed r/min					440	
Power kW		160	200	220	250	Plunger	160	200	255	280	335	Power kW	
Rated Flow		Pressure bar				Dia. mm	Pressure bar					Rated Flow	
m <sup>3</sup> / h	L/min											L/min	m <sup>3</sup> / h
20.1	335	250	320			55	160	200	260	290	330	407	24.42
23.94	399	210	250	280	320	60	14	160	210	240	280	485	29.1
26.4	440	190	240	260	280	63	13	140	190	220	250	534	32.04
28.08	468	180	220	240	270	65	12	130	180	210	240	569	34.14
30.72	512	160	200	220	250	68	11	120	170	190	220	622	37.32
32.58	543	150	190	210	240	70	10	130	160	180	210	660	39.6
34.44	574	140	180	200	230	72	9	120	150	170	200	698	41.88
37.38	623	130	160	180	210	75	8	110	130	150	180	757	45.42
42.54	709	110	140	160	180	80	7	90	120	130	160	862	51.72

Pump weight: 1100kg Base: 220kg

Drive Speed r/min RPM		1480					Drive Speed r/min RPM					1800(Diesel Engine)	
Gear Ratio i		4.619					Plunger Stroke mm					130	
Pump Speed r/min		320					Pump Speed r/min					389	
Power kW		160	200	220	250	Plunger	160	200	255	280	335	Power kW	
Rated Flow		Pressure bar				Dia. mm	Pressure bar					Rated Flow	
m <sup>3</sup> / h	L/min											L/min	m <sup>3</sup> / h
17.76	296	280	340			55	170	230	290	330		360	21.6
21.12	352	240	300			60	160	190	250	280	300	428	25.68
23.28	388	220	270	300		63	150	170	220	250	290	472	28.32
24.84	414	200	250	280	320	65	14	160	210	240	270	503	30.18
27.18	453	180	220	250	280	68	13	150	200	220	250	550	33
28.8	480	170	210	240	270	70	12	140	190	210	240	583	34.98
30.42	507	160	200	220	250	72	11	130	170	190	220	617	37.02
30.66	511	150	180	210	240	75	9	120	150	170	200	670	40.2
37.62	627	130	160	180	210	80	8	110	130	150	170	762	45.72

Pump weight: 1100kg Base: 220kg

# Tianjin Harvest High Pressure Pump Co., Ltd.

Email: hwstsandy@tjhwst.com

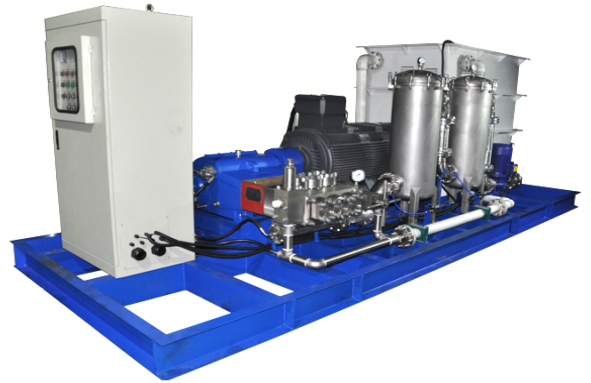
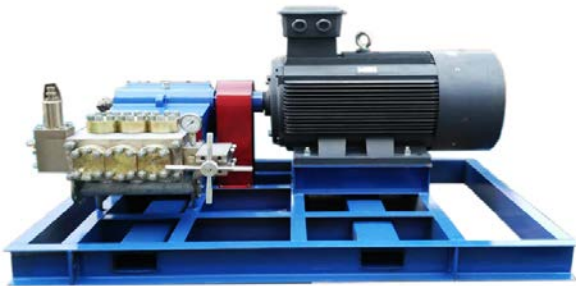


# Tianjin Harvest High Pressure Pump Co., Ltd.

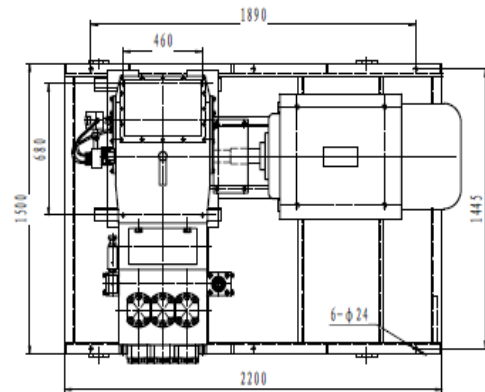
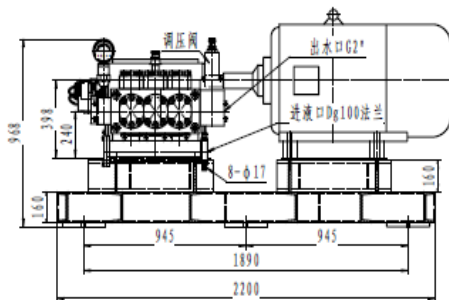
Add.: No.68, Tonghang Rd.,  
Dongli Airport Economic Zone,  
Tianjin, China, 300000  
Tel: 0086-22-24863818  
Mobile: 0086-13323318160  
Email: hwstsandy@tjhwst.com

## Pump Washing Unit

Model No. K25000-SZ



MAX.FLOW: 1007L/min; MAX.PRESSURE: 33MPa



# Tianjin Harvest High Pressure Pump Co., Ltd.

Email: hwstsandy@tjhwst.com



# Tianjin Harvest High Pressure Pump Co., Ltd.

Add.: No.68, Tonghang Rd.,  
 Dongli Airport Economic Zone,  
 Tianjin, China, 300000  
 Tel: 0086-22-24863818  
 Mobile: 0086-13323318160  
 Email: hwstsandy@tjhwst.com

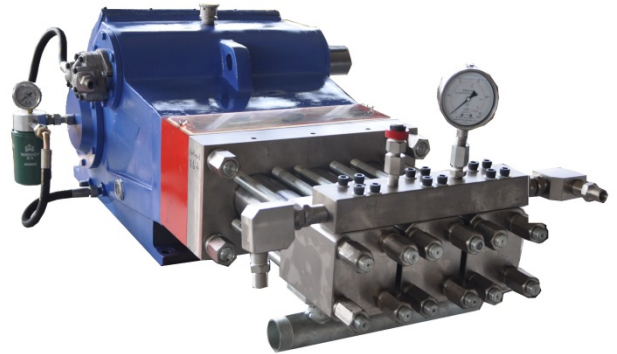
## Model No. HW200D-S

HW200D-S series high pressure plunger pumps are based on 3D3 power end, matched with new liquid end, independent research and designed by our company, pressure up to 160MPa, it is a new product.

Characteristics:

1. Straight through liquid end, advanced technology, reasonable design and high efficiency.
2. Highly sealed material, with pressure self-adjusting preload, automatic seal compensation.
3. It is durable with carbide plunger.
4. Easy to maintain, one person can complete the liquid end maintenance and replace the wearing parts.
5. The liquid end parts are made of precipitation hardened martensitic stainless steel, which is reliable and durable.
6. This pump is matched with new diaphragm type safety valve (original imported diaphragm), which is easy to operate, safe and reliable.

This series of products can deliver 0-50°C of clear water, emulsion and chemical liquids similar to clear water. This series of high pressure pumps are widely used in jet cleaning, power, powder metallurgy and other industries.



Drive Speed r/min RPM							1480	Drive Speed r/min RPM					1800(Diesel)	
Gear Ratio i							4.04	Stroke mm					120	
Pump Speed r/min							366	Pump Speed r/min					445	
Power kW		90	110	132	160	200	Plunger Dia. mm	90	110	132	185	225	Power kW	
Rated Flow		Pressure bar						Rated Flow	Pressure bar					Rated Flow
m <sup>3</sup> / h	L/min													L/min
3	50	950	1150	1400	1650	1800	22	650	750	880	1200	1500	60	3.6
3.6	60	770	950	1100	1400	1500	24	550	650	750	950	1350	72	4.32
3.84	64	730	900	1080	1300	1400	25	500	600	700	900	1250	78	4.68
4.2	70	700	800	950	1200	1300	26	450	550	650	850	1150	85	5.1
4.86	81	550	700	850	1000	1100	28	400	450	550	750	1000	98	5.88
5.58	93	500	600	750	900	950	30	350	400	500	650	850	113	6.78
6.36	106	420	520	620	780	850	32	300	350	450	550	750	128	7.68

Pump weight: 820kg Base: 220kg



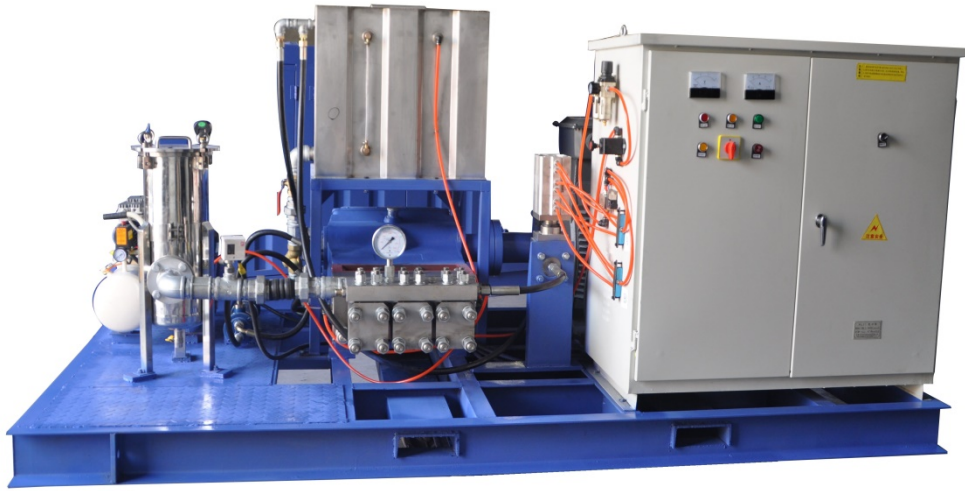


# Tianjin Harvest High Pressure Pump Co., Ltd.

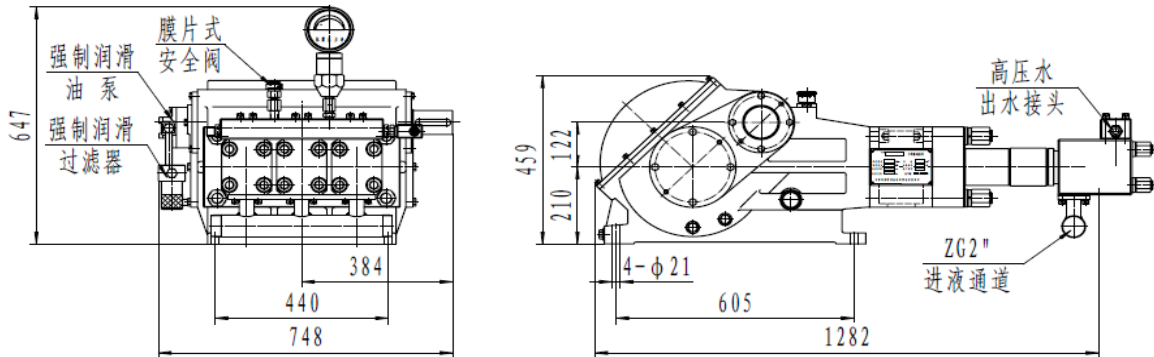
Add.: No.68, Tonghang Rd.,  
Dongli Airport Economic Zone,  
Tianjin, China, 300000  
Tel: 0086-22-24863818  
Mobile: 0086-13323318160  
Email: hwstsandy@tjhwst.com

## Pump Washing Unit

Model No. HW200D-SZ



MAX.FLOW: 128L/min; MAX.PRESSURE: 180MPa



# Tianjin Harvest High Pressure Pump Co., Ltd.

Email: hwstsandy@tjhwst.com

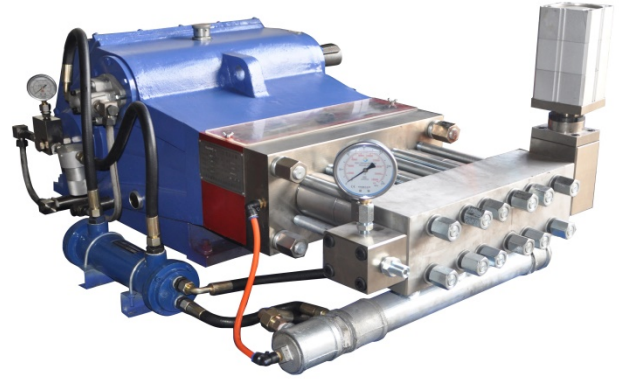


# Tianjin Harvest High Pressure Pump Co., Ltd.

Add.: No.68, Tonghang Rd.,  
 Dongli Airport Economic Zone,  
 Tianjin, China, 300000  
 Tel: 0086-22-24863818  
 Mobile: 0086-13323318160  
 Email: hwstsandy@tjhwst.com

## Model No. HW200HF-S

HW250HF-S series high pressure pumps are new medium, low pressure and large flow pumps developed by our company with a maximum working pressure of 700bar. The power end matches a variety of transmission ratios, the maximum input power is 250kW. The liquid ends use finite element analysis method to optimize the structure to ensure stable and reliable continuous operation. The integral pump head optimizes the pressure chamber structure. These pumps can meet the working pressure of 400-700bar, and the flow rate are 130-310 L/min continuous operation. They can be used for large diameter pipe cleaning, powder metallurgy, chemical industry reactor tank cleaning and descaling, large pipeline water injection and pressure test. This series of products can deliver 0-50°C of clear water, emulsion and chemical liquids similar to clear water.



Drive Speed r/min RPM							1480	Drive Speed r/min RPM							1800(Diesel Engine)
Gear Ratio i							4.04	Plunger Stroke mm							120
Pump Speed r/min							366	Pump Speed r/min							445
Power kW		90	110	132	160	200	Plunger Dia. mm	90	110	132	185	225	255	Power kW	
Rated Flow		Pressure bar						L/min	Pressure bar					Rated Flow	
m <sup>3</sup> /h	L/min													L/min	m <sup>3</sup> /h
5.58	93	500	600	700			30	320	400	480	650	700		113	6.78
6.36	106	450	550	650	700		32	280	350	420	600	700		128	7.68
7.56	126	360	450	550	650	700	35	240	280	350	500	600	700	154	9.24
8.04	134	350	420	500	600	700	36	230	270	330	470	550	650	162	9.72
8.94	149	320	380	470	570	650	38	200	240	300	420	500	600	181	10.86
9.9	165	280	350	420	520	580	40	180	220	260	380	420	520	201	12.06
10.92	182	260	300	380	470	530	42	160	200	240	350	400	500	221	13.26
12.54	209	220	260	320	400	460	45	140	170	200	300	360	420	254	15.24

Pump weight: 820kg Base: 220kg

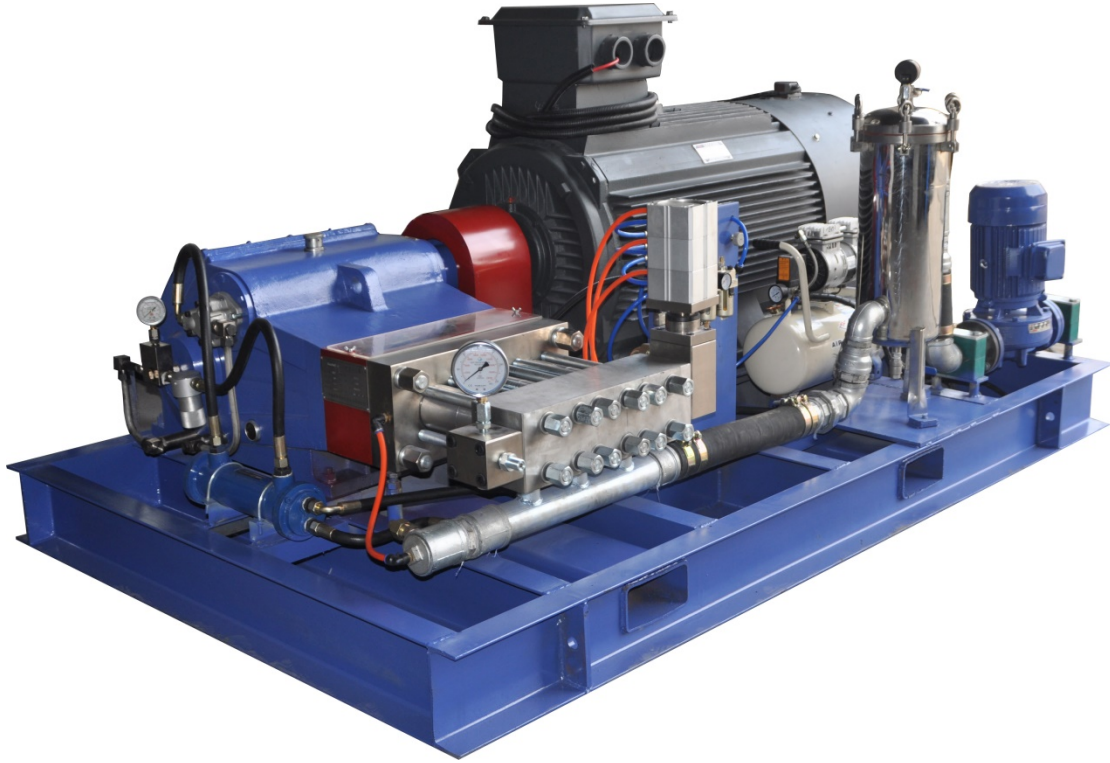


# Tianjin Harvest High Pressure Pump Co., Ltd.

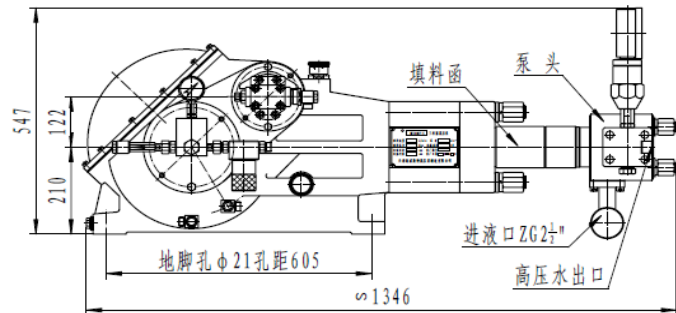
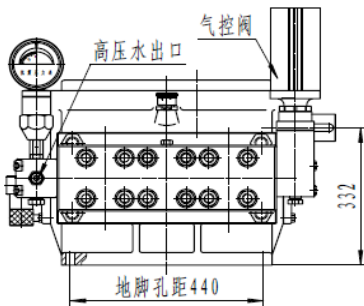
Addr.: No.68, Tonghang Rd.,  
Dongli Airport Economic Zone,  
Tianjin, China, 300000  
Tel: 0086-22-24863818  
Mobile: 0086-13323318160  
Email: hwstsandy@tjhwst.com

## Pump Washing Unit

Model No. HW200HF-SZ



MAX.FLOW: 254L/min; MAX.PRESSURE: 70MPa



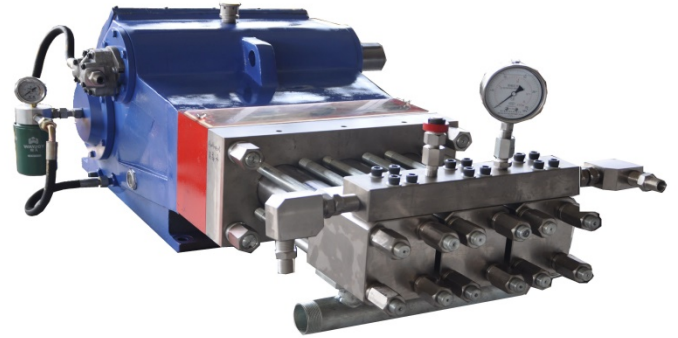


# Tianjin Harvest High Pressure Pump Co., Ltd.

Add.: No.68, Tonghang Rd.,  
 Dongli Airport Economic Zone,  
 Tianjin, China, 300000  
 Tel: 0086-22-24863818  
 Mobile: 0086-13323318160  
 Email: hwstsandy@tjhwst.com

## Model No. HW250D-S

HW250D-S series high pressure plunger pumps are based on the new 250D power ends, and match a variety of transmission speed ratios. The liquid ends are matched with the new split type, independent research and designed by our company, pressure up to 1600bar, they are new products.



Characteristics:

1. Straight through liquid end, advanced technology, reasonable design and high efficiency.
2. Highly sealed with new polymer material
3. It is durable with carbide plunger.
4. Easy to maintain, one person can complete the liquid end maintenance and replace the wearing parts.
5. The liquid end parts are made of precipitation hardened martensitic stainless steel, which is reliable and durable.
6. The power end adopts the finite element design method to optimize the force structure and improve the reliability of the lubrication system.
7. This pump is matched with new diaphragm type safety valve (original imported diaphragm), which is easy to operate, safe and reliable.

This series of products can deliver 0-50°C of clear water, emulsion and chemical liquids similar to clear water. This series of high pressure pumps are widely used in jet cleaning, power, powder metallurgy and other industries.

Drive Speed r/min RPM		1480					Drive Speed r/min RPM		1800(Diesel Engine)						
Gear Ratio i		3.5					Plunger Stroke mm		130						
Pump Speed r/min		422					Pump Speed r/min		514						
Power kW		132	160	200	220	250	Plunger Dia. mm	160	185	225	255	280	335	Power kW	
Rated Flow		Pressure bar						Pressure bar					Rated Flow		
m <sup>3</sup> / h	L/min												L/min	m <sup>3</sup> / h	
3.72	62	1100	1350	1500			22	850	950	1150	1350			76	4.56
4.44	74	950	1150	1420			24	720	850	1000	1150	1300	1450	90	5.4
4.8	80	800	1050	1250	1550		25	650	750	850	1000	1150	1300	98	5.88
5.22	87	750	950	1150	1300	1500	26	600	700	800	950	1050	1200	106	6.36
6.06	101	650	850	1000	1100	1300	28	500	600	700	850	920	1050	123	7.38
6.96	116	600	750	900	960	1120	30	400	500	600	750	820	900	141	8.46
7.92	132	520	650	800	870	1000	32	350	450	550	650	720	800	161	9.66

Pump weight: 910kg Base: 220kg



# Tianjin Harvest High Pressure Pump Co., Ltd.

Add.: No.68, Tonghang Rd.,  
 Dongli Airport Economic Zone,  
 Tianjin, China, 300000  
 Tel: 0086-22-24863818  
 Mobile: 0086-13323318160  
 Email: hwstsandy@tjhwst.com

Drive Speed r/min RPM					1480					Drive Speed r/min RPM					1800(Diesel Engine)	
Gear Ratio i					4.086					Plunger Stroke mm					130	
Pump Speed r/min					362					Pump Speed r/min					440	
Power kW		132	160	200	220	Plunger Dia. mm	160	185	225	255	280	Power kW				
Rated Flow		Pressure bar					L/min	Pressure bar				Rated Flow				
m <sup>3</sup> /h	L/min											L/min	m <sup>3</sup> /h			
3.18	53	1300	1600			22	1000	1100	1400			65	3.9			
3.78	63	1100	1330	1600		24	850	930	1150	1300		77	4.62			
4.14	69	1000	1220	1500	1600	25	780	850	1050	1200	1400	84	5.04			
4.5	75	900	1120	1350	1500	26	700	800	950	1150	1300	91	5.46			
5.16	86	800	980	1200	1350	28	600	700	850	1000	1100	105	6.3			
5.94	99	700	850	1050	1170	30	530	600	750	850	960	121	7.26			
6.78	113	600	750	920	1000	32	450	520	650	750	850	138	8.28			

Pump weight: 910kg Base: 220kg

Drive Speed r/min RPM					1480					Drive Speed r/min RPM					1800(Diesel Engine)	
Gear Ratio i					4.619					Plunger Stroke mm					130	
Pump Speed r/min					320					Pump Speed r/min					389	
Power kW		132	160	200	220	Plunger Dia. mm	160	185	225	255	280	Power kW				
Rated Flow		Pressure bar					L/min	Pressure bar				Rated Flow				
m <sup>3</sup> /h	L/min											L/min	m <sup>3</sup> /h			
2.82	47	1350	1500			22	1100	1300	1550			57	3.42			
3.36	56	1150	1500			24	950	1050	1350	1500		68	4.08			
3.66	61	1050	1400	1550		25	880	950	1150	1350	1500	74	4.44			
3.96	66	1000	1300	1500	1550	26	800	900	1000	1250	1400	80	4.8			
4.56	76	880	1100	1350	1380	28	700	800	900	1100	1220	93	5.58			
5.28	88	780	950	1150	1200	30	600	700	800	960	1050	107	6.42			
6	100	680	830	1000	1050	32	530	620	700	850	950	121	7.26			

Pump weight: 910kg Base: 220kg



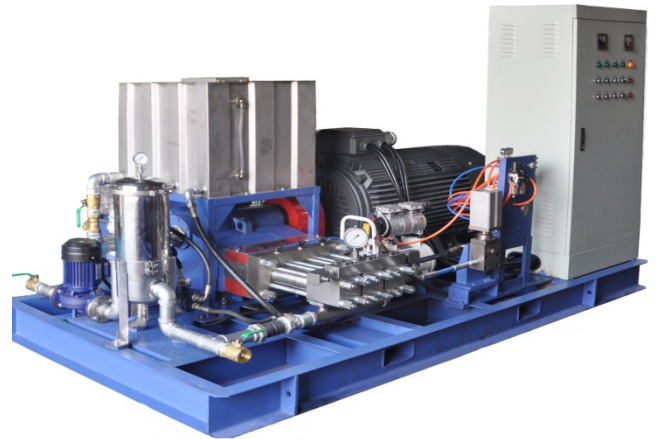
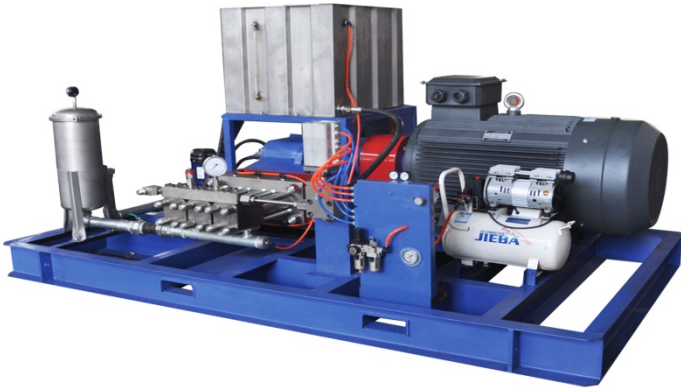


# Tianjin Harvest High Pressure Pump Co., Ltd.

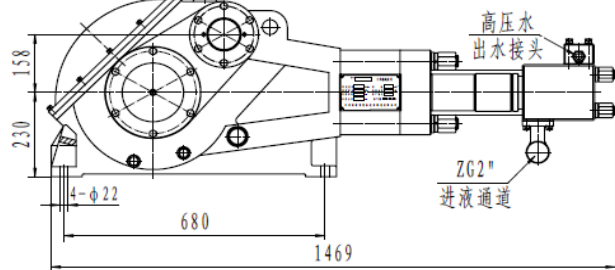
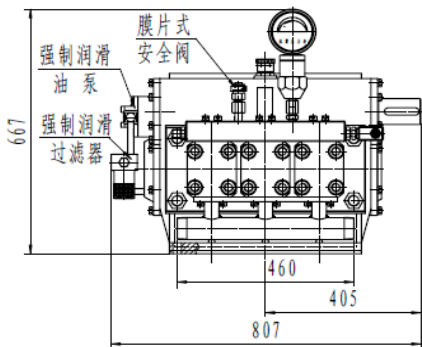
Addr.: No.68, Tonghang Rd.,  
Dongli Airport Economic Zone,  
Tianjin, China, 300000  
Tel: 0086-22-24863818  
Mobile: 0086-13323318160  
Email: hwstsandy@tjhwst.com

## Pump Washing Unit

Model No. HW250D-SZ



MAX.FLOW: 161L/min; MAX.PRESSURE: 160MPa



# Tianjin Harvest High Pressure Pump Co., Ltd.

Email: hwstsandy@tjhwst.com

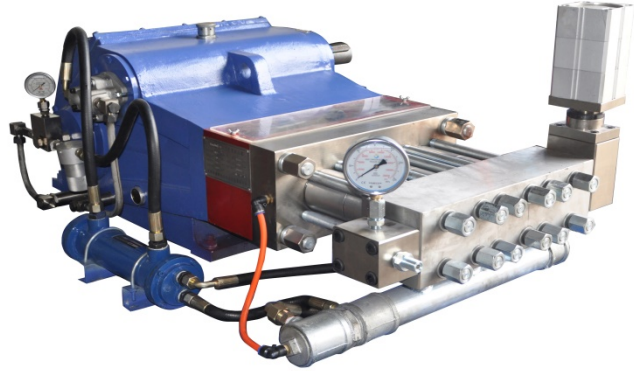


# Tianjin Harvest High Pressure Pump Co., Ltd.

Add.: No.68, Tonghang Rd.,  
 Dongli Airport Economic Zone,  
 Tianjin, China, 300000  
 Tel: 0086-22-24863818  
 Mobile: 0086-13323318160  
 Email: hwstsandy@tjhwst.com

## Model No. HW250HF-S

HW250HF-S series high pressure pumps are new medium, low pressure and large flow pumps developed by our company with a maximum working pressure of 700bar. The power end matches a variety of transmission ratios, the maximum input power is 250kW. The liquid ends use finite element analysis method to optimize the structure to ensure stable and reliable continuous operation. The integral pump head optimizes the pressure chamber structure. These pumps can meet the working pressure of 400-700bar, and the flow rate are 130-310 L/min continuous operation. They can be used for large diameter pipe cleaning, powder metallurgy, chemical industry reactor tank cleaning and descaling, large pipeline water injection and pressure test. This series of products can deliver 0-50°C of clear water, emulsion and chemical liquids similar to clear water.



Drive Speed r/min RPM									1480									Drive Speed r/min RPM									1800(Diesel Engine)								
Gear Ratio i									3.5									Plunger Stroke mm									130								
Pump Speed r/min									422									Pump Speed r/min									514								
Power kW		90	110	132	160	200	220	250	Plunger Dia. mm	110	132	160	200	255	280	335	Power kW																		
Rated Flow		Pressure bar								Pressure bar							Rated Flow																		
m <sup>3</sup> / h	L/min																L/min	m <sup>3</sup> / h																	
6.96	116	400	460	580	700				30	300	370	450	600	700				141	8.46																
7.92	132	350	400	500	600	700			32	250	320	400	520	640	700			161	9.66																
9.48	158	300	350	420	500	650	700		35	220	260	340	430	520	600	700		192	11.52																
10.02	167	280	340	400	470	620	700		36	21	260	320	400	520	580	650		204	12.24																
11.16	186	250	320	360	450	560	630	700	38	19	230	280	360	460	520	600		227	13.62																
12.36	206	230	270	330	400	510	560	650	40	16	200	260	330	400	460	520		251	15.06																
13.68	228	200	250	300	370	450	510	580	42	15	180	230	300	370	420	500		277	16.62																
15.66	261	180	220	260	320	400	450	500	45	13	160	200	260	330	370	440		318	19.08																

Pump weight: 900kg Base: 220kg



# Tianjin Harvest High Pressure Pump Co., Ltd.

Add.: No.68, Tonghang Rd.,  
 Dongli Airport Economic Zone,  
 Tianjin, China, 300000  
 Tel: 0086-22-24863818  
 Mobile: 0086-13323318160  
 Email: hwstsandy@tjhwst.com

Drive Speed r/min RPM		1480							Drive Speed r/min RPM							1800(Diesel Engine)		
Gear Ratio i		4.086							Plunger Stroke mm							130		
Pump Speed r/min		362							Pump Speed r/min							440		
Power kW		90	110	132	160	200	220	250	Plunger Dia. mm	110	132	160	200	255	280	335	Power kW	
Rated Flow		Pressure bar								Pressure bar							Rated Flow	
m <sup>3</sup> / h	L/min																L/min	m <sup>3</sup> / h
5.49	99	480	550	650	700					30	350	420	550	700				121
6.78	113	420	500	580	700				32	300	380	450	600	700			137	8.22
8.1	135	350	400	500	620	700			35	260	320	400	510	620	700		165	9.9
8.58	143	320	380	450	550	700			36	25	300	360	480	600	650	700	174	10.44
9.6	160	300	350	420	520	650	700		38	23	270	330	430	550	600	700	194	11.64
10.62	177	270	300	380	480	600	650	670	40	20	24	300	390	480	550	650	215	12.9
11.7	195	240	290	350	430	520	600	640	42	18	22	280	350	430	480	580	237	14.22
13.44	224	210	250	300	370	480	520	560	45	16	19	240	310	380	420	500	272	16.32

Pump weight: 900kg Base: 220kg

Drive Speed r/min RPM		1480							Drive Speed r/min RPM							1800(Diesel Engine)		
Gear Ratio i		4.619							Plunger Stroke mm							130		
Pump Speed r/min		320							Pump Speed r/min							389		
Power kW		90	110	132	160	200	220	Plunger Dia. mm	110	132	160	200	225	255	Power kW			
Rated Flow		Pressure bar							Pressure bar							Rated Flow		
m <sup>3</sup> / h	L/min																L/min	m <sup>3</sup> / h
5.28	88	540	650	700				30		400	500	620	700				107	6.42
6	100	480	550	700				32	360	430	550	660	700			121	7.26	
7.2	120	400	480	580	700			35	300	350	450	570	620	700		145	8.7	
7.62	127	360	420	500	650	700		36	280	350	420	530	600	660		154	9.24	
8.46	141	340	400	500	600	700		38	260	300	380	480	520	600		172	10.32	
9.36	156	300	360	450	530	650	670	40	23	270	350	440	480	540		190	11.4	
10.32	172	280	320	400	480	600	670	42	20	240	300	400	430	500		210	12.6	
11.88	198	240	280	320	420	530	560	45	18	210	270	350	380	420		241	12.46	

Pump weight: 900kg Base: 220kg

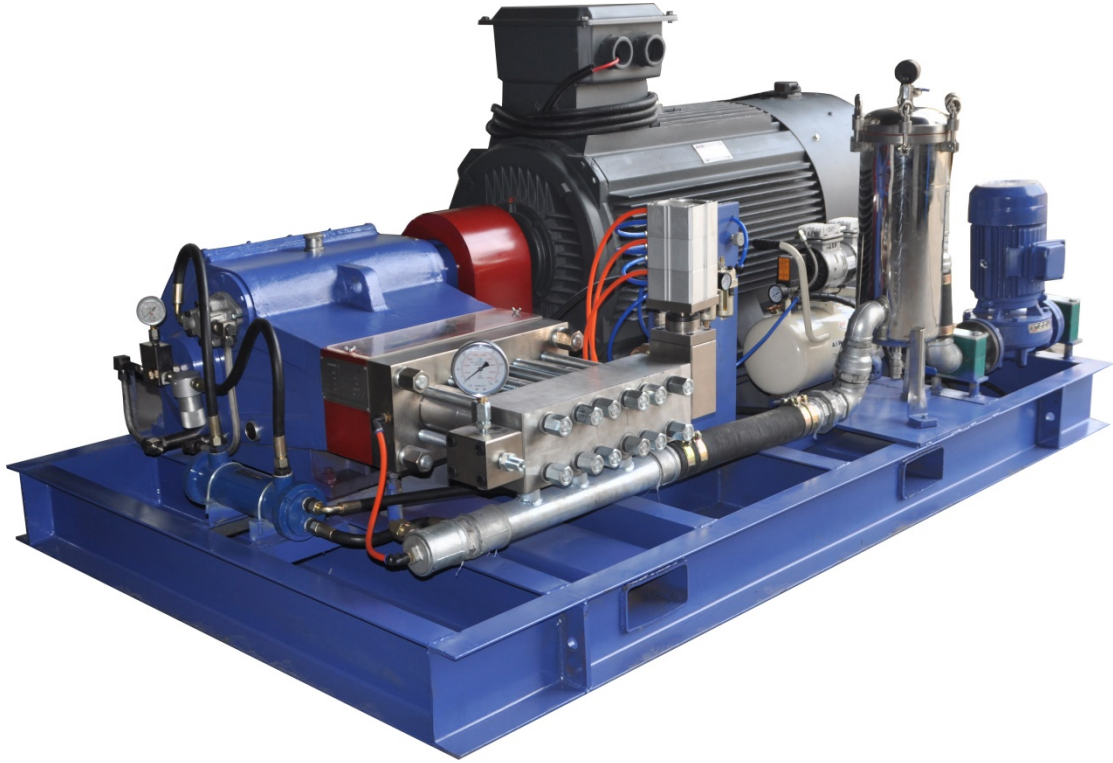


# Tianjin Harvest High Pressure Pump Co., Ltd.

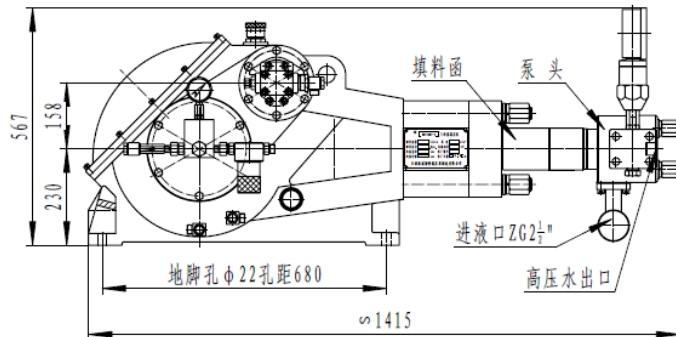
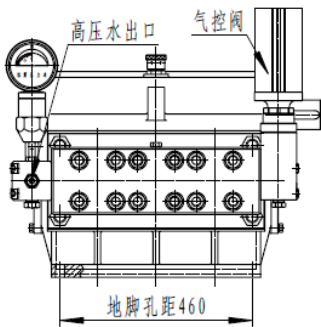
Addr.: No.68, Tonghang Rd.,  
Dongli Airport Economic Zone,  
Tianjin, China, 300000  
Tel: 0086-22-24863818  
Mobile: 0086-13323318160  
Email: hwstsandy@tjhwst.com

## Pump Washing Unit

Model No. HW250HF-SZ



MAX.FLOW: 318L/min; MAX.PRESSURE: 70MPa



# Tianjin Harvest High Pressure Pump Co., Ltd.

Email: hwstsandy@tjhwst.com



# Tianjin Harvest High Pressure Pump Co., Ltd.

Add.: No.68, Tonghang Rd.,  
 Dongli Airport Economic Zone,  
 Tianjin, China, 300000  
 Tel: 0086-22-24863818  
 Mobile: 0086-13323318160  
 Email: hwstsandy@tjhwst.com

## Model No. HW200E-S

HW200E-S series high-pressure plunger pumps are based on 3D3 power end, matched with new liquid end, independent research and designed by our company, pressure up to 2700bar, it is a new product.

Characteristics:

1. Straight through liquid end, advanced technology, reasonable design and high efficiency.
2. Highly sealed material, with pressure self-adjusting preload, automatic seal compensation.
3. It is durable with carbide plunger.
4. Easy to maintain, one person can complete the liquid end maintenance and replace the wearing parts.
5. The liquid end parts are made of precipitation hardened martensitic stainless steel, which is reliable and durable.
6. This pump is matched with new diaphragm type safety valve (original imported diaphragm), which is easy to operate, safe and reliable.

This series of products can deliver 0-50°C of clear water, emulsion and chemical liquids similar to clear water. This series of high pressure pumps are widely used in jet cleaning, power, powder metallurgy and other industries.



Drive Speed r/min		RPM				1480		Drive Speed r/min				RPM		1800(Diesel)	
Gear Ratio i						4.04		Plunger Stroke mm						120	
Pump Speed r/min						366		Pump Speed r/min						445	
Power kW		110	132	160	200	Plunger	110	132	185	225	Power kW				
Rated Flow		Pressure bar					Dia. mm	Pressure bar				Rated Flow			
m <sup>3</sup> / h	L/min									L/min	m <sup>3</sup> / h				
1.98	33	1800	2100	2550	2700	18	1150	1400	1850	2200	40	2.4			
2.46	41	1400	1600	2000	2400	20	950	1100	1500	1900	50	3			
3.0	50	1150	1400	1650	1950	22	750	880	1200	1500	60	3.6			

Pump weight: 820kg Base: 220kg



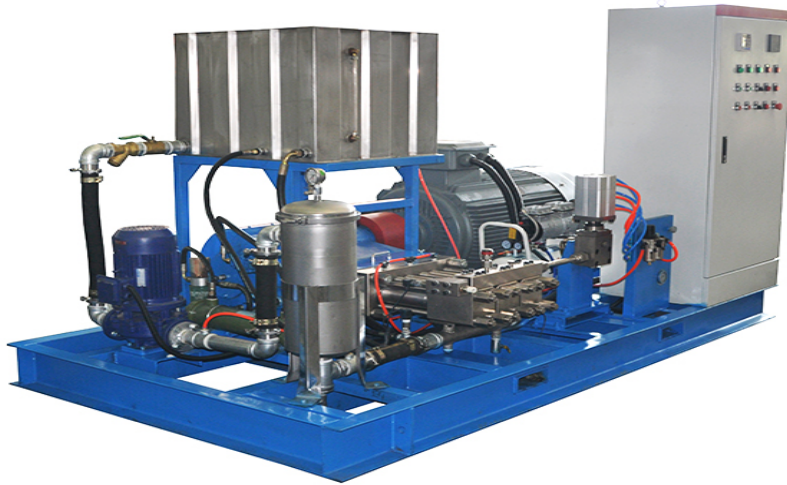


# Tianjin Harvest High Pressure Pump Co., Ltd.

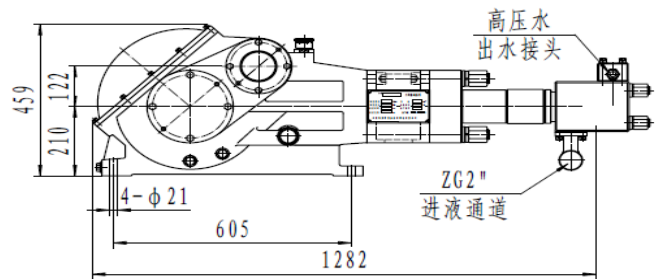
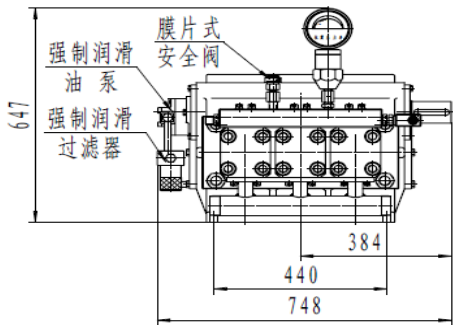
Addr.: No.68, Tonghang Rd.,  
Dongli Airport Economic Zone,  
Tianjin, China, 300000  
Tel: 0086-22-24863818  
Mobile: 0086-13323318160  
Email: hwstsandy@tjhwst.com

## Pump Washing Unit

Model No. HW200E-SZ



MAX.FLOW: 75L/min; MAX.PRESSURE: 270MPa



# Tianjin Harvest High Pressure Pump Co., Ltd.

Email: hwstsandy@tjhwst.com



# Tianjin Harvest High Pressure Pump Co., Ltd.

Add.: No.68, Tonghang Rd.,  
 Dongli Airport Economic Zone,  
 Tianjin, China, 300000  
 Tel: 0086-22-24863818  
 Mobile: 0086-13323318160  
 Email: hwstsandy@tjhwst.com

## Model No. HW250E-S

HW250E-S series high pressure plunger pumps are based on HW250D power ends and match various transmission speed ratios, independent research and designed by our company, pressure up to 2700bar, it is a new product.

Characteristics:

1. Straight through liquid end, advanced technology, reasonable design and high efficiency.
2. Polymer sealing material, with pressure self-adjusting preload, automatic seal compensation.
3. It is durable with carbide plunger.
4. Easy to maintain, one person can complete the liquid end maintenance and replace the wearing parts.
5. The liquid end parts are made of precipitation hardened martensitic stainless steel, which is reliable and durable.
6. This pump is matched with new diaphragm type safety valve (original imported diaphragm), which is easy to operate, safe and reliable.

This series of products can deliver 0-50°C of clear water, emulsion and chemical liquids similar to clear water. This series of high pressure pumps are widely used in jet cleaning, power, powder metallurgy and other industries.



Drive Speed r/min RPM		1480					Drive Speed r/min RPM		1800(Diesel Engine)						
Gear Ratio i		3.5					Plunger Stroke mm		130						
Pump Speed r/min		422					Pump Speed r/min		514						
Power kW		132	160	200	220	250	Plunger Dia. mm	160	185	225	255	280	335	Power kW	
Rated Flow		Pressure bar						Pressure bar					Rated Flow		
m <sup>3</sup> /h	L/min												L/min	m <sup>3</sup> /h	
2.46	41	1700	2000	2550	2650	2750	18	1300	1550	1750	2000	2200	2500	51	3.06
3.06	51	1350	1620	2060	2280	2600	20	1000	1200	1400	1650	1800	2050	63	3.78
3.72	62	1100	1350	1700	1880	2120	22	850	950	1150	1350	1500	1700	76	4.56

Pump weight: 910kg Base: 220kg



# Tianjin Harvest High Pressure Pump Co., Ltd.

Add.: No.68, Tonghang Rd.,  
 Dongli Airport Economic Zone,  
 Tianjin, China, 300000  
 Tel: 0086-22-24863818  
 Mobile: 0086-13323318160  
 Email: hwstsandy@tjhwst.com

Drive Speed r/min RPM		1480					Drive Speed r/min RPM		1800(Diesel Engine)						
Gear Ratio i		4.086					Plunger Stroke mm		130						
Pump Speed r/min		362					Pump Speed r/min		440						
Power kW		132	160	200	220	250	Plunger Dia. mm	160	185	225	255	280	335	Power kW	
Rated Flow		Pressure bar						Pressure bar					Rated Flow		
m <sup>3</sup> /h	L/min												L/min	m <sup>3</sup> /h	
2.16	36	1900	2350	2700			18	150 0	1650	210 0	230 0	250 0	270 0	43	2.58
2.64	44	1600	1900	2350	2600	2650	20	120 0	1350	170 0	185 0	210 0	230 0	53	3.18
3.18	53	1300	1600	1950	2150	2200	22	100 0	1100	140 0	155 0	170 0	200 0	65	3.9

Pump weight: 910kg Base: 220kg

Drive Speed r/min RPM		1480					Drive Speed r/min RPM		1800(Diesel Engine)					
Gear Ratio i		4.619					Plunger Stroke mm		130					
Pump Speed r/min		320					Pump Speed r/min		389					
Power kW		132	160	200	220	Plunger Dia. mm	160	185	225	255	280	335	Power kW	
Rated Flow		Pressure bar					Pressure bar					Rated Flow		
m <sup>3</sup> /h	L/min												L/min	m <sup>3</sup> /h
1.86	31	2100	2700			18	1650	1800	2200	2600			38	2.28
2.34	39	1600	2200	2600	2650	20	1350	1500	1880	2150	2350	2600	47	2.82
2.82	47	1350	1800	2180	2200	22	1100	1300	1550	1700	1950	2200	57	3.42

Pump weight: 910kg Base: 220kg

# Tianjin Harvest High Pressure Pump Co., Ltd.

Email: hwstsandy@tjhwst.com



# Tianjin Harvest High Pressure Pump Co., Ltd.

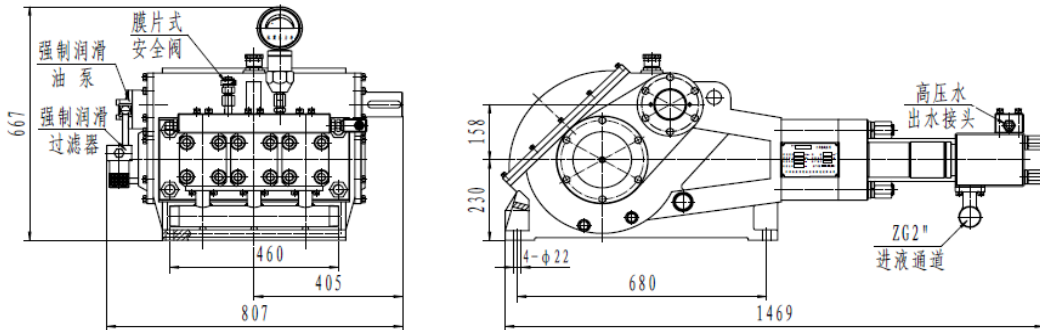
Add.: No.68, Tonghang Rd.,  
Dongli Airport Economic Zone,  
Tianjin, China, 300000  
Tel: 0086-22-24863818  
Mobile: 0086-13323318160  
Email: hwstsandy@tjhwst.com

## Pump Washing Unit

Model No. HW250E-SZ



MAX.FLOW: 85L/min; MAX.PRESSURE: 275MPa



# Tianjin Harvest High Pressure Pump Co., Ltd.

Email: hwstsandy@tjhwst.com

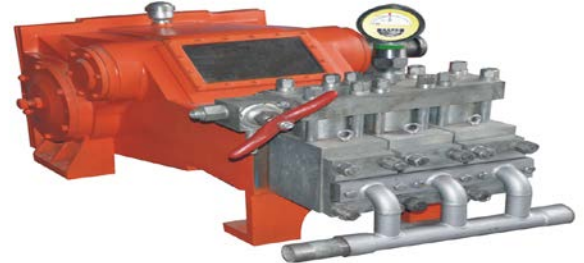


# Tianjin Harvest High Pressure Pump Co., Ltd.

Add.: No.68, Tonghang Rd.,  
 Dongli Airport Economic Zone,  
 Tianjin, China, 300000  
 Tel: 0086-22-24863818  
 Mobile: 0086-13323318160  
 Email: hwstsandy@tjhwst.com

## Model No. GPB-90

GPB-90 series high pressure rotary jet slurry pumps are widely used now as power equipment for slurry injection. These pumps can be used reinforcement for new building, highway, high-speed railway, underground railway, and other soft ground. Also they can be applied to repair uneven settlement of old buildings, anti-seepage curtains for reservoir dams and underground buildings, retain cofferdam, mine leakage plugging, shaft wall protection, slope anchorage, etc. They can also be used in high pressure water jet assisted rock breaking and coal falling, liquid supply for underground hydraulic props, anchorage water expansion metal bolt pumping high-pressure water, underground large pipe cleaning, chemical pumps, high-pressure water jet perforation or other areas requiring high-pressure liquid as power.



GPB-90 high pressure rotary jet slurry pumps are kind of light, special, high pressure, quantitative(variable), which can pump water and high density cement slurry containing solid particles or liquid with certain viscosity.

Characteristics:1. The power end crankshaft and connecting rod adopt the newly developed special bearing structure with high strength, high lubrication and low friction coefficient. Transmission balance and power end temperature rise low make it more suitable for long time continuous operation.2. The safety valve with rupture disc will work when the pressure is overloaded, it is simple, safety and reliable.

Plunger Stroke mm		120		Speed ratio i		7.2727						
Drive Speed r/min				RPM				600~1320				
Pump Speed r/min								82~181				
Power kW		55		75		90		110		Plunger Dia. mm		
Rated Flow		Pressure bar										
m <sup>3</sup> / h	L/min											
4.8	80	35	48	57	65	40						
6	100	28	38	47	57	45						
7.5	125	22	30	38	45	50						
9.24	154	18	25	30	38	55						
10.8	180	15	21	26	32	60						
12.9	215	13	18	22	(26)	65						
15	250	11	15	18	(21)	70						
Pump weight: 1500kg												Base: 200kg





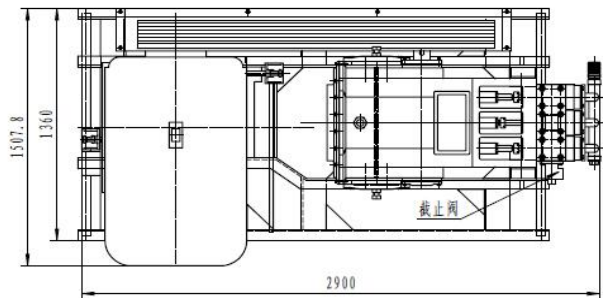
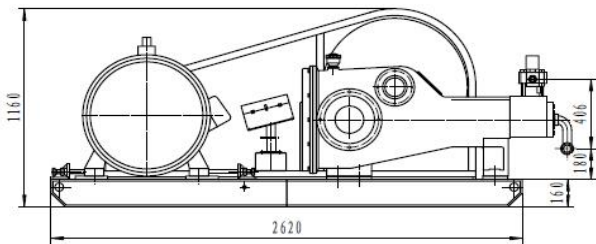
Tianjin Harvest High Pressure Pump Co., Ltd.

Add.: No.68, Tonghang Rd.,  
Dongli Airport Economic Zone,  
Tianjin, China, 300000  
Tel: 0086-22-24863818  
Mobile: 0086-13323318160  
Email: hwstsandy@tjhwst.com

## Pump Washing Unit



MAX.FLOW: 250L/min; MAX.PRESSURE: 65MPa



40

Tianjin Harvest High Pressure Pump Co., Ltd.

Email: hwstsandy@tjhwst.com



# Tianjin Harvest High Pressure Pump Co., Ltd.

Add.: No.68, Tonghang Rd.,  
Dongli Airport Economic Zone,  
Tianjin, China, 300000  
Tel: 0086-22-24863818  
Mobile: 0086-13323318160  
Email: hwstsandy@tjhwst.com

## Model No. GPB-500

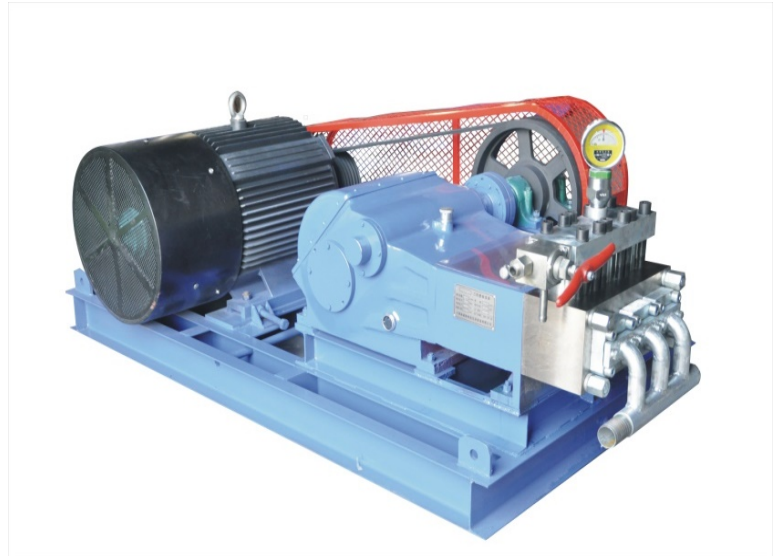
GPB-500 series high pressure slurry pumps are light weight (total weight 2800KG), high pressure, special use, quantitative (variable) new high pressure injection pumps developed by our company that can pump clear water, solid particles or liquid have a certain viscosity and also high density polymer paste.

Characteristics: The power end of this pump is based on mature technology. Crankcase gear transmission is decelerated into a spiral herringbone gear with large transmission torque, stable transmission and low noise. A

special bearing structure with high strength, high wear resistance, high lubricity and small friction coefficient is used between the crankshaft and the connecting rod. Low temperature rise of the power end is more suitable for long time continuous operation.

The safety valve adopts diaphragm type, overpressure rupture, simple, safe and reliable.

The pump liquid end is the integral pump head structure, but when replaces the plunger, seal parts etc. disassembling the pump head is not needed, thus it is more convenient, time-saving and labor-saving. It is suitable for reinforcement of weak foundations such as new buildings, expressways, high-speed railways and underground railways, uneven settlement of old buildings, anti-seepage curtain for reservoir dams and underground construction projects, and anchoring hydraulic expansion metal anchor pumps high-pressure water, underground large-scale pipeline dredging cleaning, chemical pumps, high-pressure water jets through holes or other areas powered by high-pressure liquid.

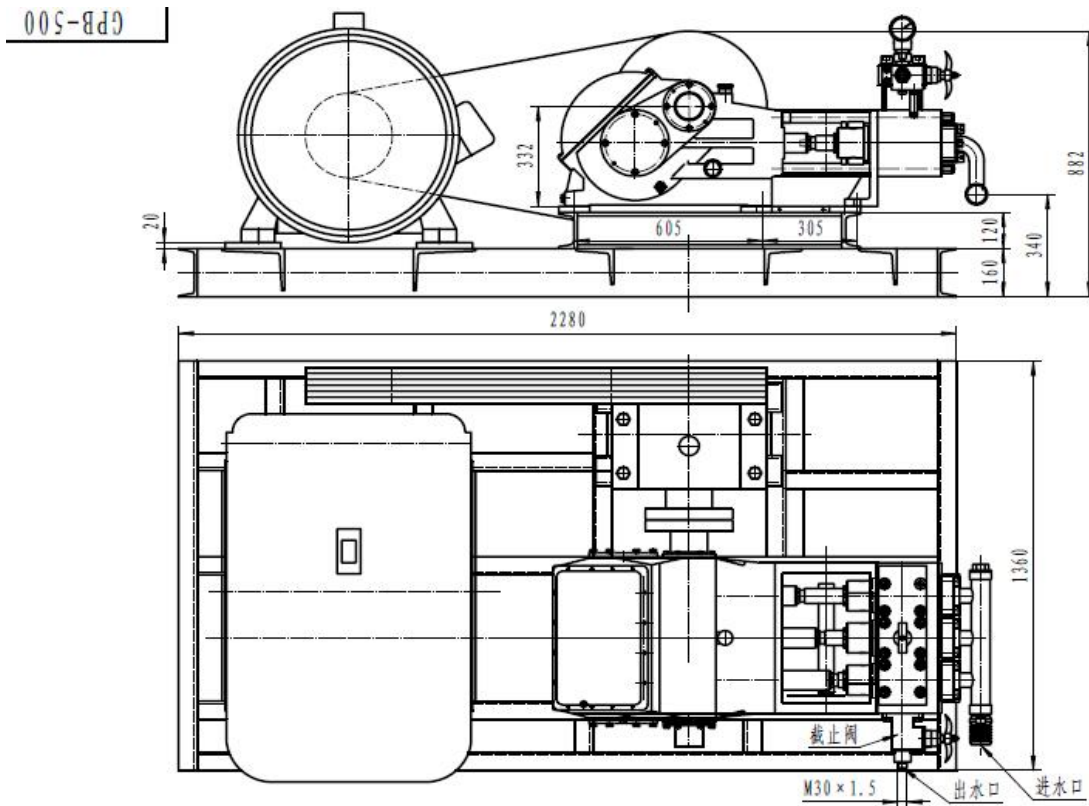




# Tianjin Harvest High Pressure Pump Co., Ltd.

Add.: No.68, Tonghang Rd.,  
 Dongli Airport Economic Zone,  
 Tianjin, China, 300000  
 Tel: 0086-22-24863818  
 Mobile: 0086-13323318160  
 Email: hwstsandy@tjhwst.com

Plunger Stroke mm		120		Gear Ratio i		7.2727	
Drive Speed r/min RPM				600~1320			
Pump Speed r/min				82~181			
Power kW		55	75	90	110	Plunger Dia. mm	
Rated Flow		Rated Discharge Pressure					
m <sup>3</sup> / h	L/min	Bar					
4.80	80	350	480	570	650	40	
6.00	100	280	380	470	570	45	
7.50	125	220	300	380	450	50	
9.24	154	180	250	300	380	55	
10.80	180	150	210	260	320	60	
12.90	215	130	180	220	(260)	65	
15.00	250	110	150	180	(210)	70	
Weight: Pump 1500kg Base 200kg							



# Tianjin Harvest High Pressure Pump Co., Ltd.

Email: hwstsandy@tjhwst.com



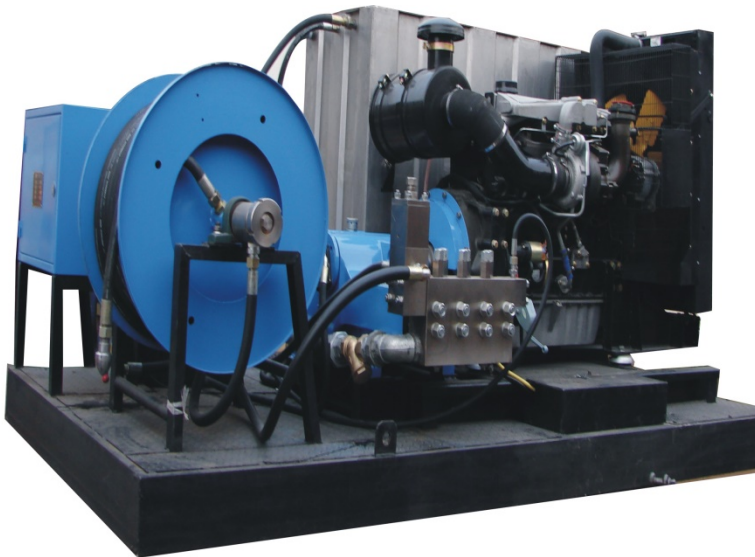
## Tianjin Harvest High Pressure Pump Co., Ltd.

Add.: No.68, Tonghang Rd.,  
Dongli Airport Economic Zone,  
Tianjin, China, 300000  
Tel: 0086-22-24863818  
Mobile: 0086-13323318160  
Email: hwstsandy@tjhwst.com

### Sewer Cleaning Machine

The washing car is equipped with a high-pressure pump and is an improved product of 3D2-S high-pressure pump. Change the input shaft of the power end to the bottom of the crankshaft, which is exactly the same as the 3D2-S high pressure pump. It is mainly used in automobile modified sewer cleaning vehicles, which makes the high-pressure pump and the automobile transmission system compact, expands the space of the automobile chassis and is convenient for maintenance. It can transport water, emulsions, and liquids that are chemically similar to clear water.

The mobile sewer cleaning machine is used to clear and remove the silt and dirt in the pipeline. It is powered by a diesel engine, which drives the high-pressure pump to operate, and uses the propelling force generated by the high-pressure water jet on the nozzle to dredge the pipeline. When the nozzle reaches the pipe end, the hose is forced to move backward under the tension of the hose reel, so that the high-pressure water jet cleans the pipe wall and brings the debris to the outside of the pipe to achieve the purpose of cleaning the pipe. The washing machine adopts a hydraulic motor to drive the throttle control speed control circuit and a centralized control mode centered on the control panel. The structure is advanced, the shape is novel, the operation and the use are convenient, and it is an essential pipe dredging and cleaning device for modern production.







Tianjin Harvest High Pressure Pump Co., Ltd.

Add.: No.68, Tonghang Rd.,  
Dongli Airport Economic Zone,  
Tianjin, China, 300000  
Tel: 0086-22-24863818  
Mobile: 0086-13323318160  
Email: hwstsandy@tjhwst.com

## Mobile Sewer Cleaning Machine



Tianjin Harvest High Pressure Pump Co., Ltd.

Email: hwstsandy@tjhwst.com