



HEBEI BESTRONG TRADING CO.,LTD

Main Product Catalog

About
Bestrong

Hebei Bestrong trading co., LTD.,
Started in the 1990s.
Is a professional chemical factory
Which is mainly engaged in the research,
development and production
of agricultural machinery parts.

CONTACT INFORMATION

Website: <https://bestrongdiesel.en.alibaba.com>

Tel: +8615633540666

Wechat: +8615633540666 / amizych

whatsapp: +8615633540666

Skype: live:amizy_2

QQ: 87111827

E-mail: bestrongco@163.com

Address: Agricultural machinery parts market, Pangkou, Gaoyang, Baoding, Hebei Province China

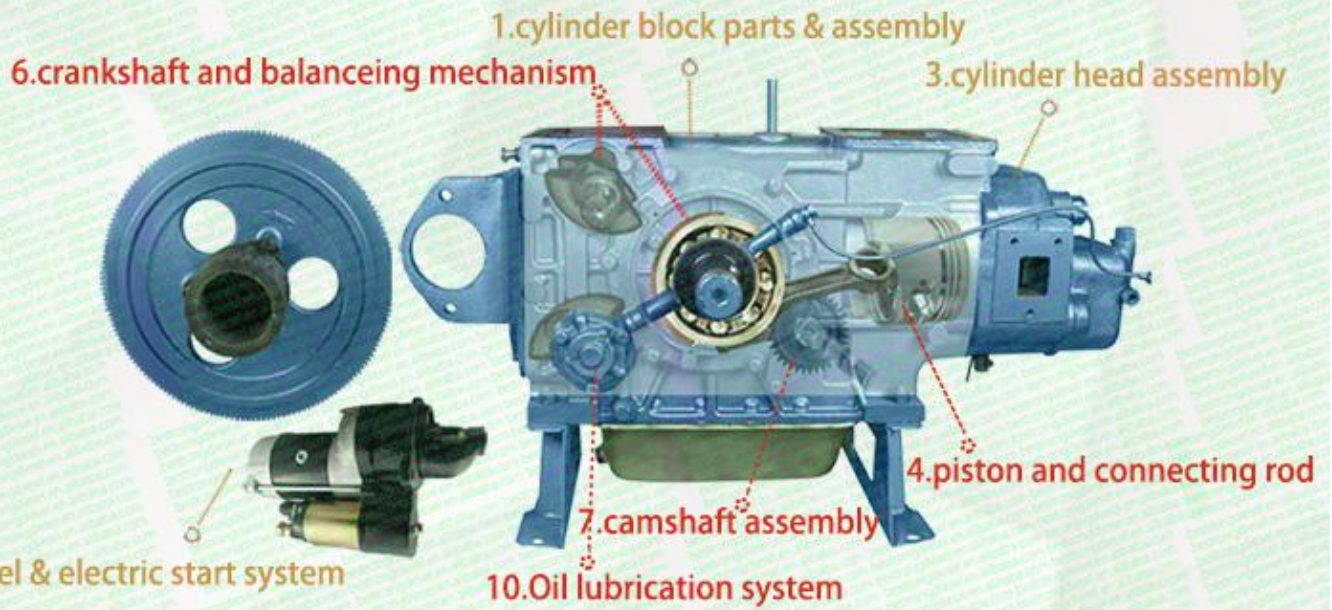


Contact me via WeChat

ID: amizych

USE FOR BRAND	SINGLE CYLINDER SPARE PARTS	Multi-cylinder diesel engine parts
CHANGZHOU (R/S/ZS/L/H/EH/CZ/T)	165 170 175 176 178 180 185 190 192 195 196 1100 1105 1110 1115 1120 1125 1130 1133 1135 6 7 8 9 10 11 12 13 14 15 16 18 20 22 24 25 26 28 30 32 33 35 36 38 40 42 300 400	295 2100 2102 2105 2108 2110 2115 380 385 390 395 3100 3102 3105 3108 3110 3115 480 485 490 495 4100 4102 4105 4110 4112 4115
SHIFENG (SF/S/ZS)	SF12 SF24 SF25 SF28 SF28H SF30 SF33 SF35 SF40 SF138 SF148 SF168 SF176 SF178 SF186 SF188 SF200 SF220 SF250 190 192 195 1100 1105 1110 1115 1125 1130	
Shandong YANGMA (CY/SY/SSY)	CY1105 CY1115 SSY1115	
CHANGFA (CF/CFZ/ZS)	CF139 CF165 CF170 CF175 CF176 CF180 CF185 CF190 CF192 CF195 CFZ195 CF196 CF1100 CF1105 CF1110 CF1115 CF1118 CF1120 CF1125 CF1130 CF6 CF8 CF12 CFZ12 CF13 CF15 CF16 CF22 CF25 CF28 CF30 CF33 CF36 CF38 CF40 CF139 ZS1125 ZS1130	
YUCHAI (YC)	YC 165 170 175 176 180 185 190 192 195 196 1100 1105 1110 1115 1120 1125 1130	2105 2108 2115 3105 4102
QUANCHAI (QC)	QC 24 28 165 170 175 176 180 185 190 192 195 1115 1125 1130	480 485 490 495 2100 2105 2110 2115 4102 4105 4108 4110 4112 4115 4JR3
CHANGGONG (CG/CGZ/S/ZS)	CG6 CG8 CG9 CGZ8 CG12 CGZ12 CGZ13 CG25 CG28 CG30 CG176 CG180 ZS1110 ZS1115 CG1125 CG1130	
DELUX(DL)	DL190 DL195 DL1100 DL1105 DL1110	
JIANGDONG(JD/ZH)	JD ZH 6 8 12 15 16 24 25 26 28 32 33 35 38 42 018 108 118 185 185-6 190 192 195 196 1100 1105 1108 1115 1118 1120 1125 1130 1133 300	2JD32 295 2100 2102 2105 2110 2115 2JD35 390 395 3100 3102 3105 480 485 4100 4102
LAIDONG/KAMA(LD/KM)	KM130 KM130-1 KM138 KM138B KM148 KM160 KM160-1 KM173 KM186 LD195 LD195T LD24 LD28 29虎 32虎 35虎 LD1100 LD1105 LD1110 LD115	304 354 404 380 385 4L22 4L23 4L100 4D30 480 485 495 496
TAISHAN(SD/TC/ ZS)	TC26 TC28 TC35 TC118 TC130 TC138 TC1110 TC1115 SDZ190 SD1105 SD1100 SD1115 SD1120 SD1125 SD1130 SD1135 ZS1100 ZS1105	304 354 404
CHANGCHAI (L/T/H/EH/R/ZR/S/ZS /HS)	L12 L16 L18 L20 L22 L24 L26 L28 L32 T20 T25 T35 H14 H16 H18 H20 H25 H28 EH18 EH20 EH24 EH28 EH32 EH36 R165 R170 R170B R175B R176 R180 ZR175 ZR180 R185 ZR185 Q185 R190 ZR190 S195 ZS195 S1100 ZS1100 ZL1100 ZS1105 ZS1105 ZS1110 ZS1115 ZS1120 ZS1125 ZS1130 HS400	
LIJIA(SL)		2100 2105 2108 2110 3100 3105 4100 4105
ShangHai New Holland (SNH)	上海 (SNH) 50 70 395 495 504 550 554 650 654 700 704 804 904 4100 4102 4110	
AMEC (YM/R/S/ZS)	YM12 YM14 YM15 YM18 YM24 YM25 YM26 YM28 YM30 YM32 YM35 AM35 175 180 185 190 192 195 196 1100 1105 1110 1115 1125 1130	
EMEI(EM/R/S/ZS)	EM 165 170 175 178 180 185 190 192 195 196	
SHUHE(SH/ZH)	SH180 SH185 ZH185 SH190 ZH190 SH192 ZH192 SH195 ZH195A ZH196	354
JINTAN SWAN(JC/R/ZS)	R165 JC170A R170A R170B JC175 R175A R175B R176 JC180 R180 SR180 R180K JC185N JC190-1 JC190N ZS195 JC195 ZS1100 ZS1105 ZS1105NM ZS1110 ZS1115 ZS1125 ZS1130M	
AIR COOLED (-F)	165F X165F 170F Z170F 173F 178F 178FA 180F R185K 186F 186FA 190F 190FB 192F 192FA	





Contents

Product group	Page
1.cylinder block parts & assembly	5-6
2.side cover / gear casing assembly	7
3.cylinder head assembly	8-9
4.piston and connecting rod assembly	9-10
5.water tank / hopper assembly	10
6.crankshaft and balanceing mechanism	11-12
7.camshaft assembly	13
8.air intake system	14
9.air exhaus system	15
10.Oil lubrication system	16
11.fuel supply system	17-18
12.governor system	19
13.flywheel & electric start system	20
14.diesel engine assembly	21
15.tools and hardware	22





01 ENGINE BODY

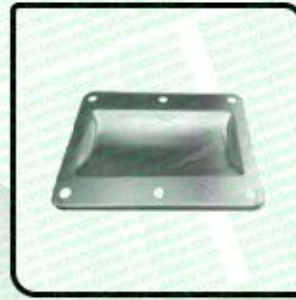




1.cylinder block



2.cylinder liner



3.upper cover



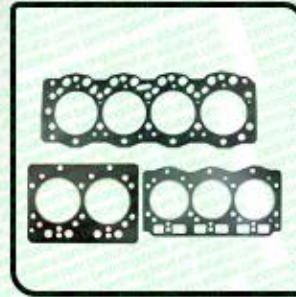
4.Start shaft bushing



5.camshaft bushing



6.head gasket



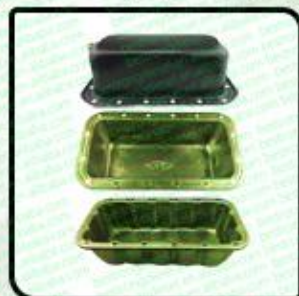
6.1.cylinder gasket



7.governor bushing



8.rear cover&breather



9.oil sump



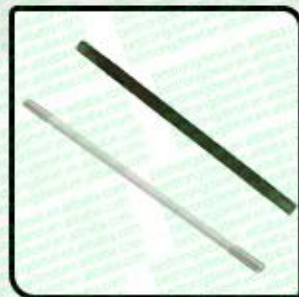
10.bracket



11.oil sump nut



12.lifting ring



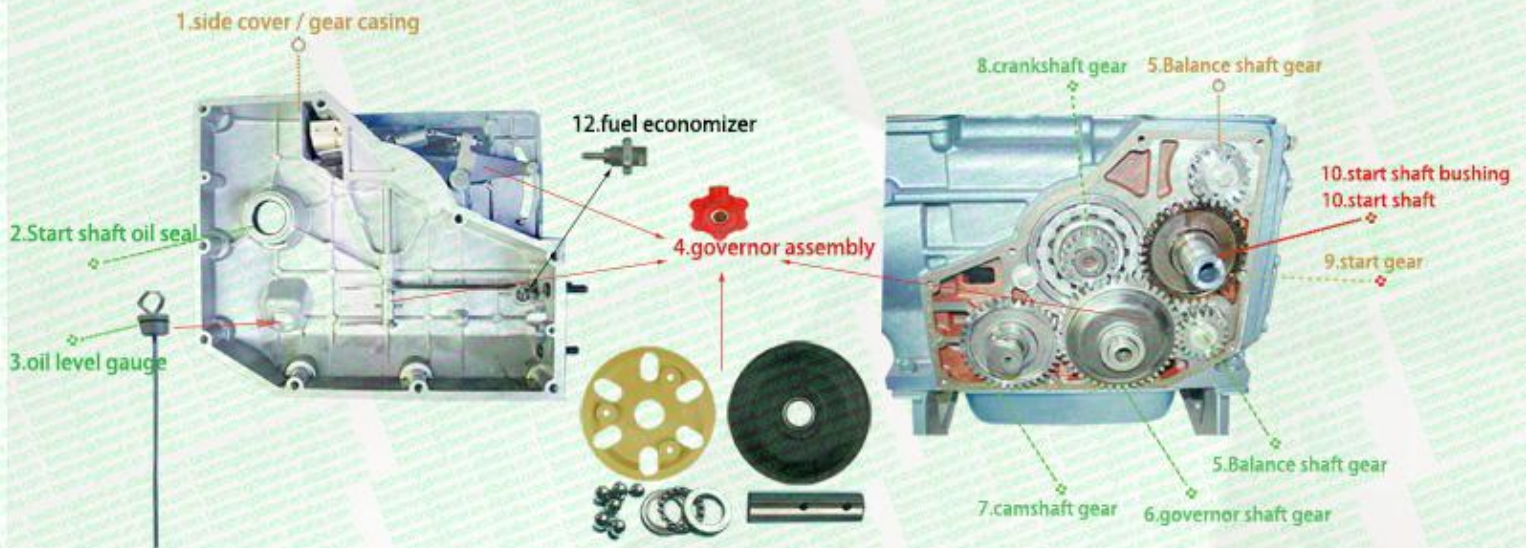
13.lifting bolt



6.2.full gasket set



02 SIDE COVER ASSY



1.side cover / gear casing



2.oil seal



3.oil level gauge



4.governor assembly



5-9 kinds of gears



10.start shaft



12.fuel economizer



3.2.Oil indicator



CYLINDER HEAD 03



1.cylinder head



2.valve cover/head cover



3.Decompression assembly



4.rocker arm assy



4.1.rocker arm assy



5.rocker arm bolt



6.water drain valve



7.valve set kit



8.valve spring



9.valve spring seat



7.1.valve

04 PISTON & CON ROD



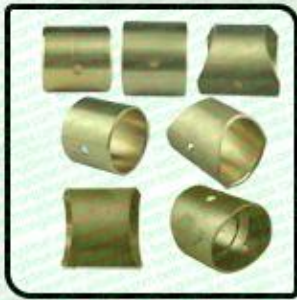
1.piston



2.connecting rod



3.connecting rod bearing shell



4.connecting rod bushing



5.cylinder liner



1&5-9.piston & liner kit



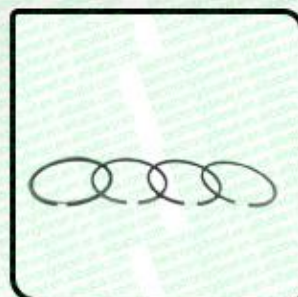
6.piston pin



7.piston pin Circlip



8.piston rubber ring



9.piston ring

WATER TANK 05



4.water tank float



1.water tank



1.1.condenser&radiator



2.water tank washer

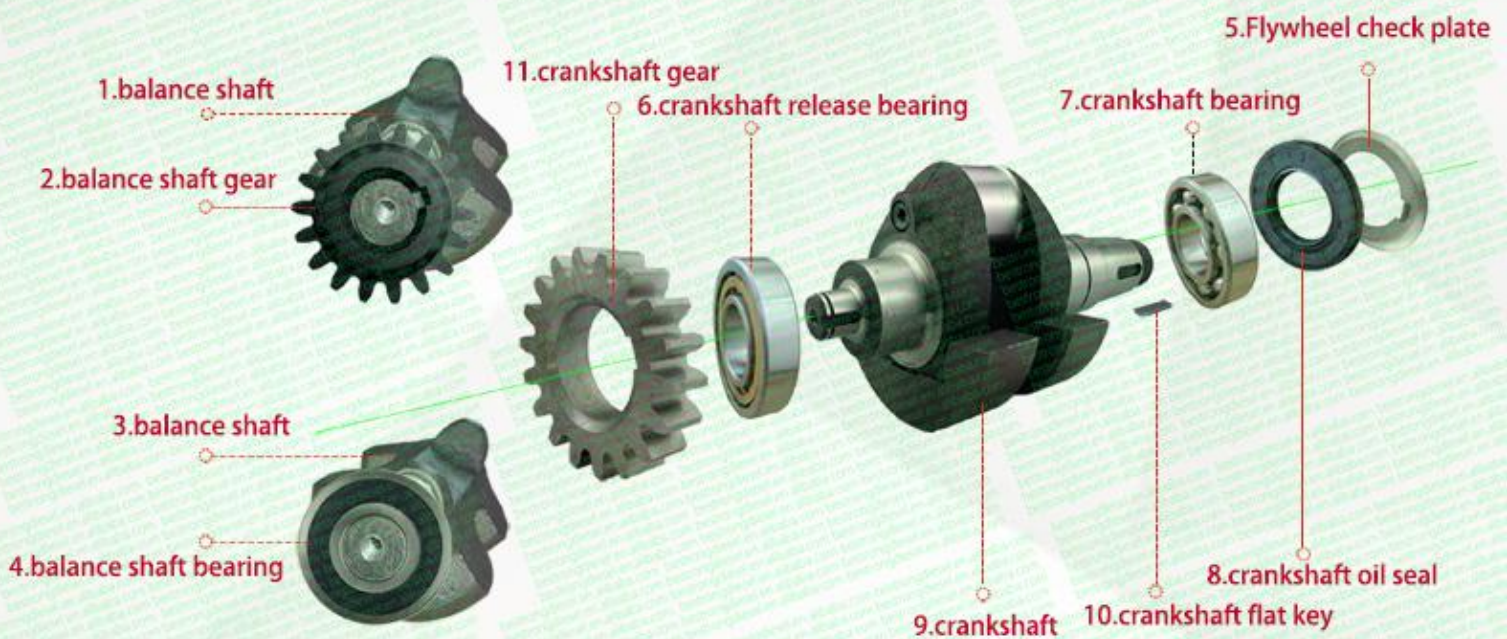


3.water tank funnel



06

CRANKSHAFT & BALANCEING





1-3.balance shaft



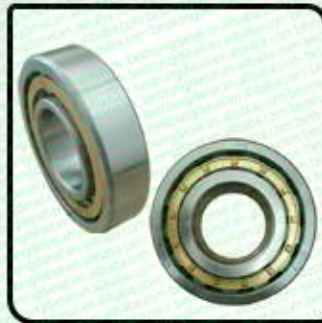
2.balance shaft gear



4.balance shaft bearing



5.Flywheel check plate



6.crankshaft release bearing



7.crankshaft bearing



8.crankshaft oil seal



9.crankshaft



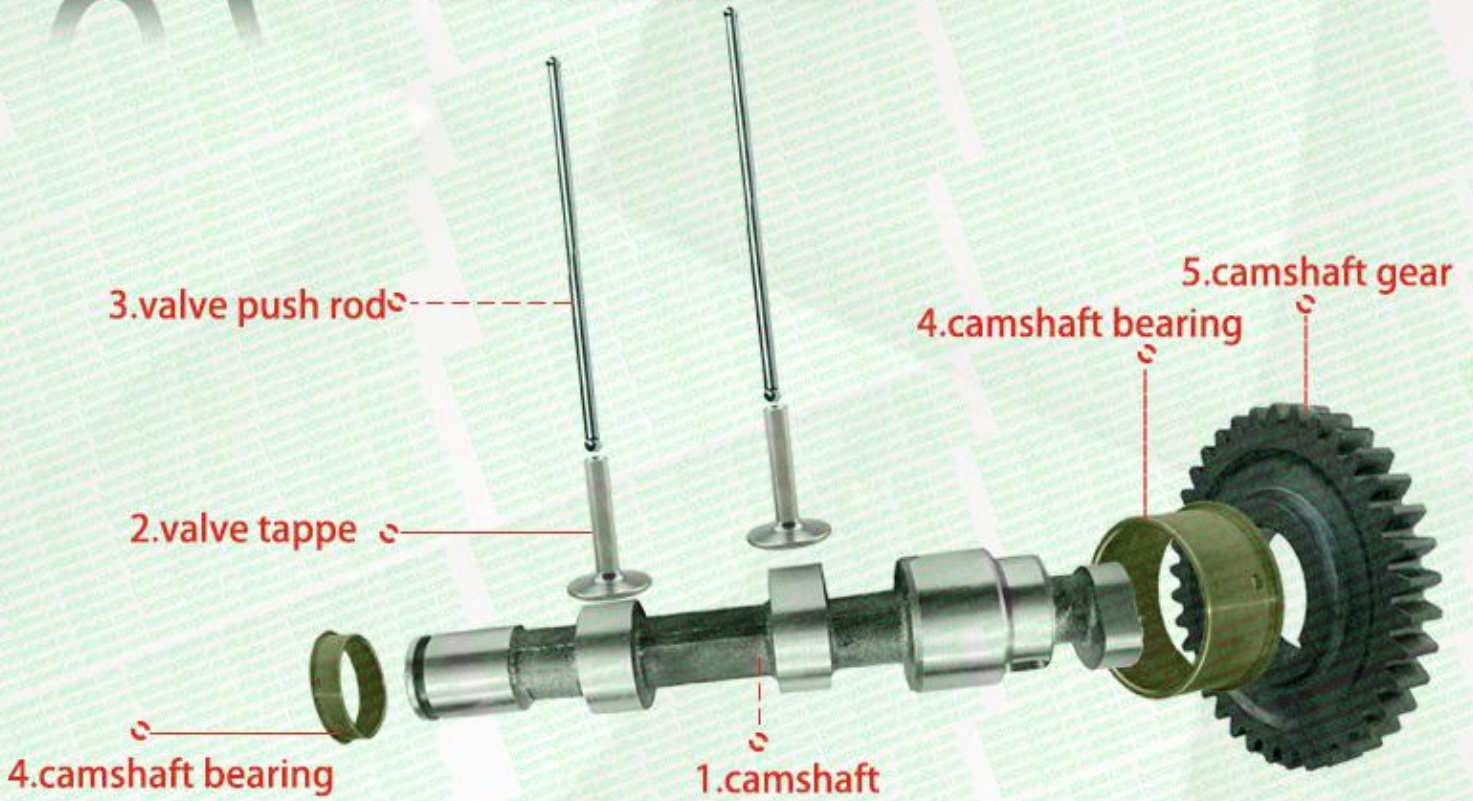
10.crankshaft flat key



11.crankshaft gear



07 CAMSHAFT ASSEMBLY



1.camshaft



2.valve tappe



3.valve push rod



4.camshaft bearing



5.camshaft gear



AIR INTAKE SYSTEM 08



1.1.air filter assembly



1.2.air filter assembly



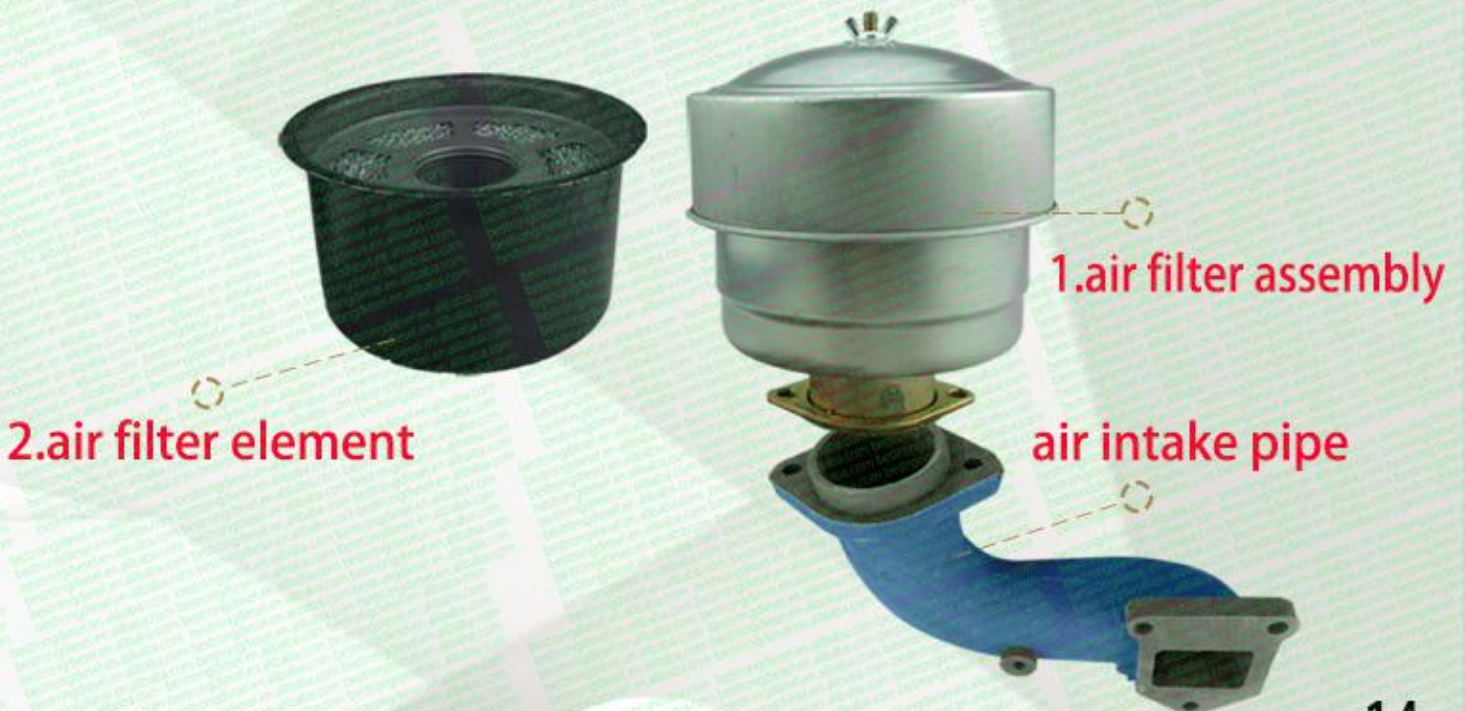
1.3.air filter assembly



2.air filter element



3.air intake pipe





09 AIR EXHAUS SYSTEM

1.silencer assembly

2.air exhaus pipe



1.1.silencer assembly



1.2.silencer assembly



1.3.silencer assembly



1.4.silencer assembly



2.air exhaus pipe



OIL LUBRICATION SYSTEM 10



1.Main bearing housing



2.balance shaft cover



3.1.oil pump assembly



3.2.oil pump assembly



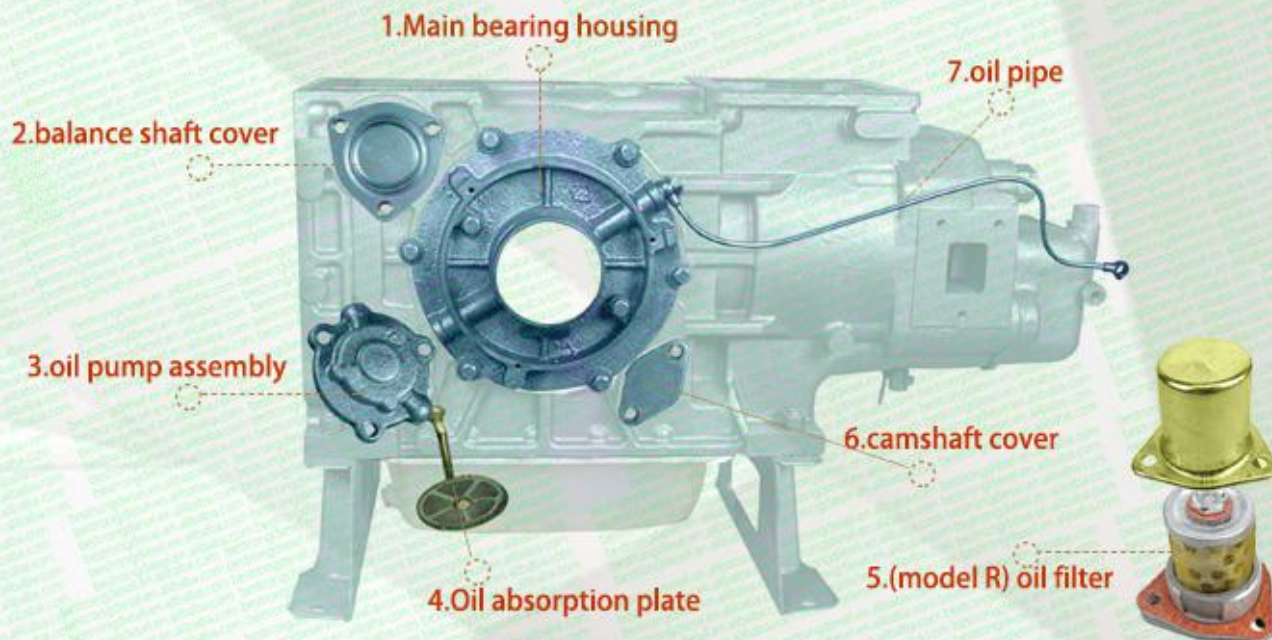
4.Oil absorption plate



5.(model R) oil filter

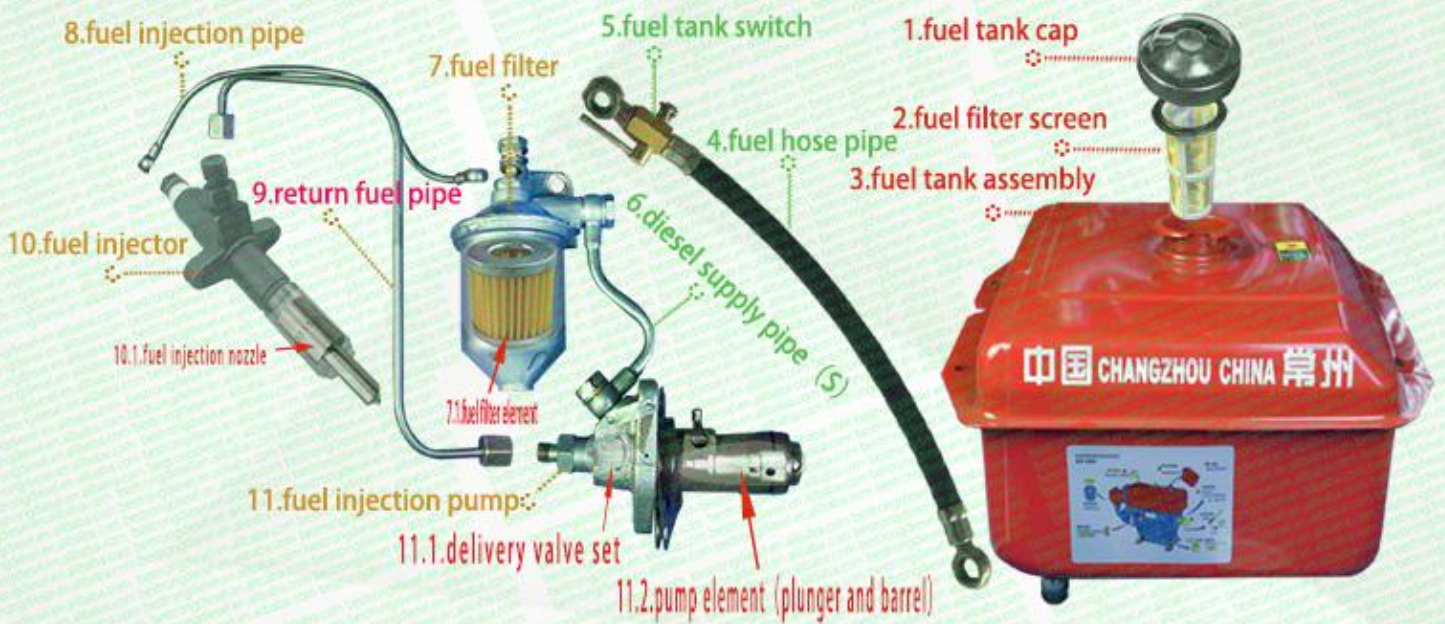


7.oil pipe





11 FUEL SUPPLY SYSTEM





1.fuel tank cap



2.fuel filter screen



3.fuel tank assembly



4.fuel hose pipe



5.fuel tank switch



6.diesel supply pipe (S)



7.fuel filter



7.1.fuel filter element



8.fuel injection pipe



9.return fuel pipe



10.fuel injector



10.1.fuel injection nozzle



11.fuel injection pump



11.1.delivery valve



11.2.pump element



12 GOVERNOR SYSTEM





FLYWHEEL & ELECTRIC START 13



1.flywheel



2.belt pulley& clutch



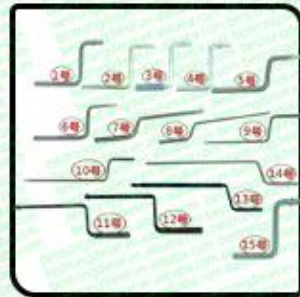
3.motor seat



4.flywheel gear ring



5.starter



6.starting handle



6.1.starting handle



7.modification kit





14 DIESEL ENGINE



1.R175



2.R176



3.R180



4.R190



5.R192



6.ZS195



7.S1100



8.ZH1105



9.ZS1105



10.ZS1115



11.ZS1125



12.JD32

Type : 4 stroke , 1 cylinder , water cooled
Horsepower : 6HP-40HP
Start method : Hand or Electric
Water tank: Normal or Flat water tank



HARDWARE CATALOGUE



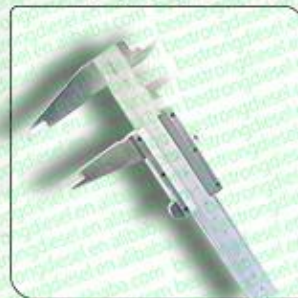
1.12/24/220V pump 2.12/24/220V pump 3.valve seat reamer 4. Custom machine reamer



5.Rotary tiller blade 6.12/24/220V blower 7.air wrench 8.gas flamethrower



9.nipper pliers 10.socket spanner 11.grease gun 12.fuel gun



13.vernier caliper 14.Multi-purpose wrench 15.Manual fuel extractor 16.Hydraulic rama



17.piston ring tools



18.piston ring tools



19.flywheel puller



20.combination tools



21.work-box



22.Bearing puller kits



23.cylinder liner puller



24.Electric valve grinder



25.588 gasket maker



26.hand tools



27.Combination Wrenches



27.Combination Wrenches



29.Vehicle hand clasp



29.1.Vehicle hand clasp



30.pins



31.lockpin



32.release lever



33.cored screw



34.head screw



35.rocker arm screw



16 OTHERS



1.single cylinder pump



2.water pump head 3.multi-cylinder pump

4.piston liner kit

5.ring kit



6.ignition lock

7.intake manifold

8.exhaust manifold 9.fuel injection pump



10.2/3/4 cylinder crankshaft 11.combination switch

12.pto shaft

13.Stamping tank



14.radiator fan

15.Hydraulic Gear Pump

16.three-way cock

17.cyclone dust collector