



To be the most reliable partner in china

Email: [sales@amandawatertech.com](mailto:sales@amandawatertech.com)

Address: Huaian West Road No 260,

Shijiazhuang, 050000, Hebei, China

Tel: +86 0311-89276114

Fax: +86 0311-89906694

Web: [www.uv-ozonechina.com](http://www.uv-ozonechina.com)

Http: [//amandagroup.en.alibaba.com/](http://amandagroup.en.alibaba.com/)

Hebei UMEK Environment Machine CO.,Ltd



Hebei UMEK Environment Machine CO.,Ltd

SINCE 1997

## COMPANY PROFILE

Hebei UMEK Environment Machine Co. Ltd. was established in 2015, belong to the AMANDA GROUP company, our group company consists of 2 factories, 2 sales companies, it is a manufacturer and trading company, professional water treatment equipment production, water purification project solution, water treatment parts wholesale company in Shijiazhuang Hebei, closing to Tianjin port and Shanghai port. with a total area of 3, 800 square meters.

Our company is staffed with over 200 employees including 4 senior managers, 2 senior engineers, 5 engineers, 67 professional technicians and enough highly trained workers.

AMANDA GROUP with 21 years of water treatment experience and 10 years of export experience.

The main products are: RO system, water softener, FRP tank, RO membrane, RO membrane vessel, RUNXIN control valve, Household water purifier, Water filter cartridge, Water filter housing, UV sterilizer, Ozone generator.

We have professional research and development department, won 7 national patents, to provide high-quality water treatment equipment and solutions for customers.

3 sales teams sold our products to the United States, Europe, the Middle East, and Africa, etc.

The professional after-sale team provides after sale and maintenance for the customers.

**Mission** Supply chinese first-class water treatment products to the world.

**Vision** To be the first choice of comprehensive water treatment service provider in China.

**Values** Customer First, Team Work, Dedication, Passion, Win-Win.

## CONTENTS

Reverse Osmosis System	01
Water Softener	07
FRP Water Pressure Tank (Vessel)	11
One-piece PE liner tank with discharge port	18
Stainless Steel Pressure Tank (Vessel)	19
Ro Membrane Housing/Pressure Vessel	21
FRP Membrane Housing/Pressure Vessel	23
Stainless Steel Membrane Housing/Pressure Vessel	25
UPVC Cartridge Filter Housings	33
UPVC Cartridge Filter Housings (3 or 5 elements)	35
UPVC Cartridge Filter Housings (8 or 9 elements)	37
Runxin Control Valve	39
Filter Housing and Cartridge	45
Filter Housing	47
Filter Cartridge	49
Water Distributor	53
Accessories	56
Household Water Purifier	57
Water Treatment Accessories Series	63
Conductivity Monitor/Controller	65
TDS Meter	66
Flow Meter	67
Pressure Gauge	69
Other Accessories	71

# Reverse Osmosis System

A

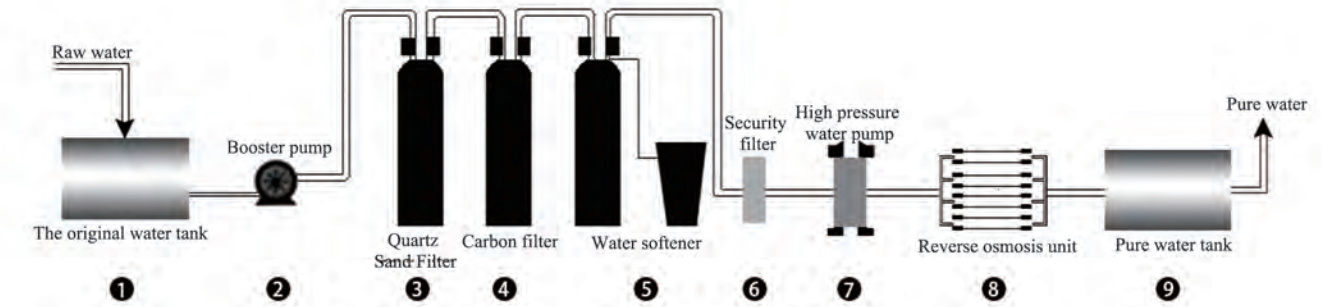


# Reverse Osmosis System

The top technology removes the dissolved salts, colloids, microorganisms, organic matter and so on (removal rate as high as 99%).

The cleaning design has the function of cleaning, which can provide effective flushing for reverse osmosis membrane and prolong the service life of reverse osmosis membrane.

Practical design with compact structure, save space, outer stainless steel material durable, trustworthy.



- 1. Water tank:**  
Storage of raw water, to solve the problem of insufficient raw water pressure and the back booster pump due to the impact of insufficient water, reduce the failure rate.
- 2. Booster pump:**  
Equipped with a stainless steel pump, to provide sufficient pressure for subsequent filtration.
- 3. Quartz sand filter:**  
Mainly remove the mud, suspended solids and large particles in the tap water.
- 4. Carbon filter:**  
Mainly remove organic substances, residual chlorine and odor in tap water.
- 5. Water softener filter:**  
Mainly remove the calcium and magnesium in raw water, reduce the hardness of water.
- 6. Security filter:**  
Further filtration of 5um, protection of reverse osmosis membrane.
- 7. High pressure pump:**  
Provide enough pressure for reverse osmosis system.
- 8. Reverse osmosis unit:**  
The core part of pure water equipment, the production of high-purity water.
- 9. Pure water tank:**  
Storage of pure water, can change the size of the water tank, after the above process, The water result is pure enough for different application.

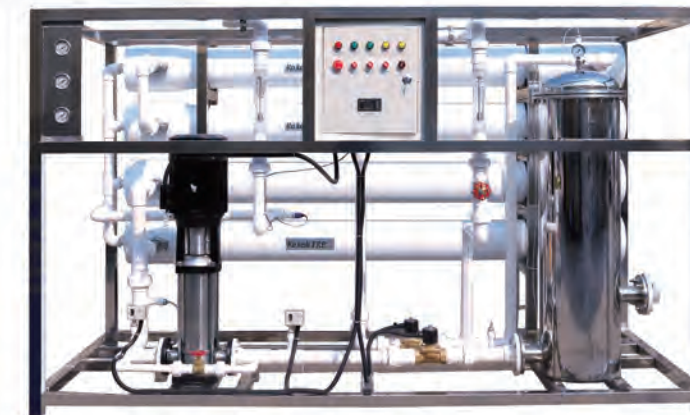
# Reverse Osmosis System

## Commercial & industrial Reverse Osmosis Systems

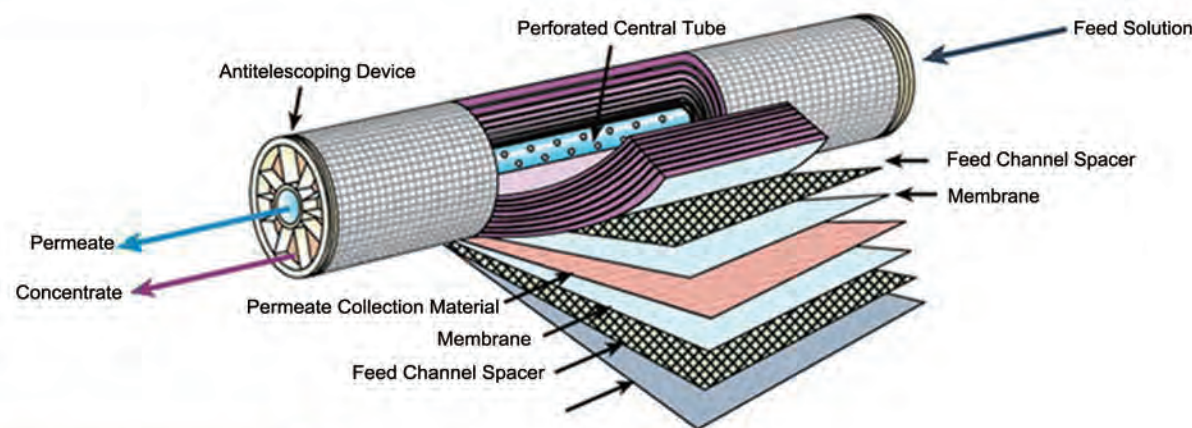
We manufacture high performing reverse osmosis systems that make use of high efficiency membranes. These osmosis systems act as molecular filters for any dissolved impurities like mineral, organic and inorganic particles. It also helps in the removal of microbial matter like bacterial sports and viruses, which cannot be removed by any ion exchange technique.

Maintenance costs of the system are lower and minimal usage of chemicals makes it more eco friendly. These types of reverse osmosis systems are highly preferred than the ion exchange systems as these utilize electrical energy in place of chemicals.

Equipment control system	There are two modes of operation in the whole system: manual and automatic mode
	When the original water tank is short of water, the whole system can not work
	When the pure water tank is full of water, the whole system stops working
	Automatic flushing can be set up for reverse osmosis
	Tap water can automatically recharge water
Equipment characteristics	Two regeneration
	No hazardous waste discharge, beneficial to environmental protection
	Continuous operation, simple operation
	Easy to install, maintain
Equipment application field	Mineral water, liquor brewing water, drinking pure water
	Hotels, buildings, residential , airports, factories drinking water
	Producing drinking water by sea water and bitter salt water
	Ultra pure water used in circuit, electronics, optics, chemical industry, petroleum, surface treatment and other industries



Model	Capability (T/H)	Operation(MPa)	Membrane(Inch)	Membrane(Qty)	Power(KW)
UMKRO-125L	0.125	1.0-1.4	4021	1	1.1
UMKRO-250L	0.25	1.0-1.4	4040	1	1.1
UMKRO-500L	0.5	1.0-1.4	4040	2	1.5
UMKRO-750L	0.75	1.0-1.4	4040	3	2.2
UMKRO-1000L	1	1.0-1.4	4040	4	2.2
UMKRO-1500L	1.5	1.0-1.4	4040	6	3
UMKRO-2000L	2	1.0-1.4	4040	8	3
UMKRO-3000L	3	1.0-1.4	4040	12	4
UMKRO-5000L	5	1.0-1.4	8040	5	5.5
UMKRO-10000L	10	1.0-1.4	8040	10	11
UMKRO-15000L	15	1.0-1.4	8040	15	15
UMKRO-20000L	20	1.0-1.4	8040	20	18.5



## Industry Applications

Agriculture / Automotive / Education and Institutions / Energy and Power / Entertainment and leisure / Food and Beverage / Government / Healthcare and Medical / Life Sciences / Marine / Microelectronics / Mining and Hydrometallurgy / Oil and Gas / Textile Manufacturing

# Water Softener

B

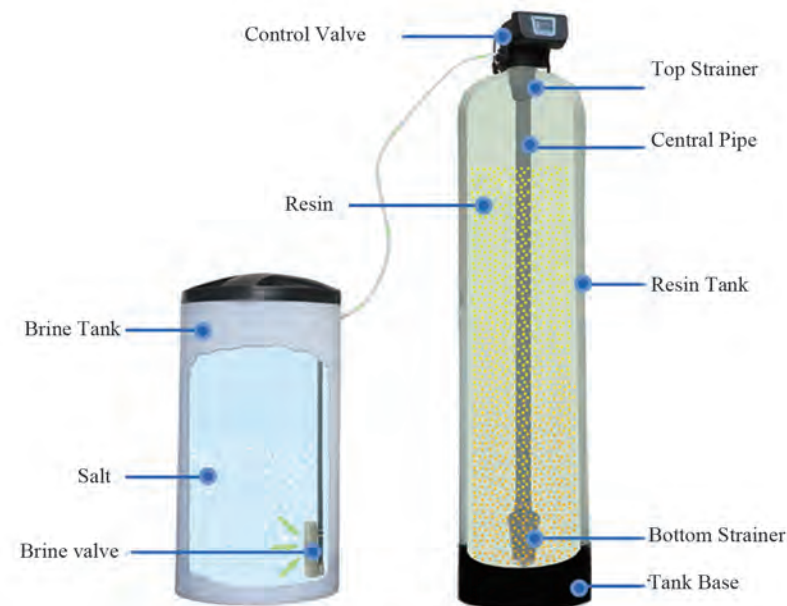


# Water Softener

## UMK Automatic water softeners characters

- Sealing parts is made of high hardness and high flatness ceramic grinding, low failure rate, long service life.
- Micro-omputerized controller with memory function, when power on again after outage, the original settings are intact.
- The time of regeneration cycle, backwash, suck salt, backwater, washing and other steps can be pre-set independently, the regeneration process save time and salt.
- Regeneration cycle is seted according to water usage, soft water is more assured, during regeneration, hard water no pass.

## Excellent accessories



### Technical Specification

Work Pressure	0.1~0.6MPa	Operating temperature:	1~50 degree
TDS	≤700mg/L	Inlet water hardness:	≤12mmol/L
Production Capacity	1~35m³/h	Outlet water hardness:	1~0.03mmol/L
Raw water temperature	1~40 degree		

Regenerating resin should use NaCl, couldn't use iodised salt, calcium salt

### UMK Water Softeners Technical Specifications

Item No	Production capacity (m³/h)	Resin tank OD×H (mm)	Resin Qty (L)	Brine tank (L)
UMK B200	1	200 × 1100	25	60
UMK B250	1	250 × 1380	50	60
UMK B300A	1~2	300 × 1400	75	100
UMK B300B	1~2	300 × 1650	100	100
UMK B350	1~2	350 × 1650	125	200
UMK B400	2~3	400 × 1650	150	200
UMK B400H	2~3	400 × 1800	175	200
UMK B500	3~4	500 × 1750	250	300
UMK B500H	5~6	500 × 1950	300	300
UMK B600A	6~8	600 × 1900	350	300
UMK B600B	6~8	600 × 1950	375	300
UMK B600C	6~8	600 × 2200	450	500

Item No	Production capacity (m³/h)	Resin tank OD×H (mm)	Resin Qty (L)	Brine tank (L)
UMK B750A	8~10	750 × 1900	525	500
UMK B750B	8~10	750 × 1950	550	500
UMK B750C	8~10	750 × 2100	625	800
UMK B750D	8~10	750 × 2200	650	800
UMK B900A	9~12	900 × 2100	850	1000
UMK B900B	9~12	900 × 2200	900	1000
UMK B900C	14~16	900 × 2400	1000	1000
UMK B1000A	18~20	1000 × 2200	1100	1000
UMK B1000B	18~20	1000 × 2400	1200	1500
UMK B1200	28~35	1200 × 2600	1600	2000
UMK B1500	40~50	1500 × 2600	2500	3000

# FRP Water Pressure Tank (Vessel)





# FRP Water Pressure Tank (Vessel)

UMK FRP Tanks meet and comply PED (EN13923) & NSF & ISO 9001 requirements.  
We focus on FRP tanks and provide the most reliable products for you.

**PED**  
Pressure Equipment



Most reliable  
service/quality  
guarantee

OEM/ODM  
are welcome

We have rich stock  
product for our  
standard models,  
the stock products  
can be sent within  
48hours

## Characters

- Fully Rustproof and corrosion resistant
- High strength Light weight
- Easy transporting and installation
- Nice appearance

## Structure & Materials

- Liner material: Rotation molding or Blowing One-piece seamless PE inner liner
- Outer Winding: High Performance resin with Fiber glass three-dimensional winding
- Opening: 2.5" and 4" reinforced plastic thread, 6" alloy flange
- Bass Materials: FRP or reinforced PP

## Application Conditions

- Working Pressure: 150psi (10.5bar)
- Working Temperature: 1-49°C (34-121°F)
- Max. Vacuum: 127mm Hg
- Lowest Environment Temperature: -27°C (-17°F)

## Design Parameter

- Burst Pressure: 42bar (4 times)
- Fatigue Cycle: 100,000

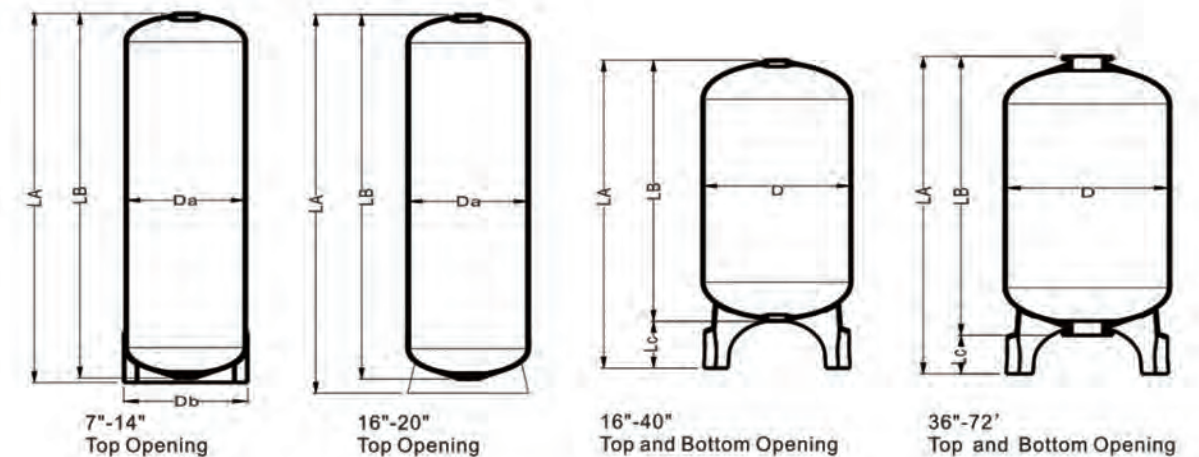
## Color

In UMK fiber reinforced polymer tanks, there are five colors for your choose : Nature, Blue, Black, Gray, Yellow. ( Other colors are customied )



Nature      Blue      Gray      Black      Yellow

## Specification



# FRP Water Pressure Tank (Vessel)

## UMK-S TANK SPECIFICATION

Model	Vessel Size		Vol L	Opening		Dimension/mm				Base
	Inch	mm		Top	Bot.	LA	LB	LC	D	
0713/2.5T	7×13	181×335	6.3	2.5"NPSM	/	335	330	/	181	PP
0717/2.5T	7×17	181×440	8.5	2.5"NPSM	/	440	435	/	181	PP
0735/2.5T	7×35	181×895	19.1	2.5"NPSM	/	895	890	/	181	PP
0744/2.5T	7×44	181×1125	24.3	2.5"NPSM	/	1125	1120	/	181	PP
0813/2.5T	8×13	205×335	7.4	2.5"NPSM	/	335	330	/	205	PP
0817/2.5T	8×17	205×440	10.5	2.5"NPSM	/	440	433	/	205	PP
0835/2.5T	8×35	205×895	23.6	2.5"NPSM	/	895	888	/	205	PP
0844/2.5T	8×44	205×1125	31.3	2.5"NPSM	/	1125	1118	/	205	PP
0917/2.5T	9×17	232×440	13.2	2.5"NPSM	/	440	435	/	232	PP
0935/2.5T	9×35	232×898	31.6	2.5"NPSM	/	898	890	/	232	PP
0942/2.5T	9×42	232×1074	38.5	2.5"NPSM	/	1074	1067	/	232	PP
0948/2.5T	9×48	232×1228	44.6	2.5"NPSM	/	1228	1221	/	232	PP
1017/2.5T	10×17	257×450	16.5	2.5"NPSM	/	450	430	/	257	PP
1035/2.5T	10×35	257×910	38.3	2.5"NPSM	/	910	890	/	257	PP
1044/2.5T	10×44	257×1130	49.5	2.5"NPSM	/	1130	1114	/	257	PP
1054/2.5T	10×54	257×1388	61.9	2.5"NPSM	/	1388	1370	/	257	PP
1248/2.5T	12×48	307×1220	77.3	2.5"NPSM	/	1220	1214	/	307	PP
1252/2.5T	12×52	307×1335	84.8	2.5"NPSM	/	1335	1328	/	307	PP
1265/2.5T	12×65	307×1650	106.3	2.5"NPSM	/	1650	1640	/	307	PP
1344/2.5T	13×44	334×1135	82.9	2.5"NPSM	/	1135	1127	/	334	PP
1354/2.5T	13×54	334×1400	103.6	2.5"NPSM	/	1400	1392	/	334	PP
1465/2.5T	14×65	360×1662	145.6	2.5"NPSM	/	1662	1654	/	360	PP
1465/4T	14×65	360×1662	145.6	4"-8UN	/	1662	1654	/	360	PP
1665/2.5T	16×65	410×1670	187.7	2.5"NPSM	/	1670	1662	/	410	PP
1665/4T	16×65	410×1670	187.7	4"-8UN	/	1670	1662	/	410	PP
1665/4T4B	16×65	410×1830	187.7	4"-8UN	4"-8UN	1830	1650	180	410	FRP Tripod
1865/4T	18×65	465×1675	249	4"-8UN	/	1670	1660	/	465	FRP Round
1865/4T4B	18×65	465×1825	249	4"-8UN	4"-8UN	1830	1650	180	465	FRP Tripod

★ The actual dimension may have ±1.2% error due to PE materials contraction coefficient

## UMK- TANK SPECIFICATION

Model	Vessel Size		Vol L	Opening		Dimension/mm				Base
	Inch	mm		Top	Bot.	LA	LB	LC	D	
2165/4T	21×65	550×1640	322	4"-8UN	/	1640	1590	/	550	FRP Round
2169/4T	21×69	550×1750	322	4"-8UN	/	1760	1590	/	550	FRP Tripod
2169/4T4B	21×69	550×1750	322	4"-8UN	4"-8UN	1760	1575	185	550	FRP Tripod
2176/4T	21×76	550×1910	326	4"-8UN	/	1910	1600	320	550	FRP Tripod
2176/4T4B	21×76	550×1910	326	4"-8UN	4"-8UN	1910	1590	320	550	FRP Tripod
2468/4T	24×68	615×1735	427	4"-8UN	/	1735	1690	/	615	FRP Round
2472/4T	24×72	615×1850	427	4"-8UN	/	1850	1690	/	615	FRP Tripod
2472/4T4B	24×72	615×1850	427	4"-8UN	4"-8UN	1850	1680	170	615	FRP Tripod
2485/4T	24×85	615×2150	471	4"-8UN	/	2150	1830	/	615	FRP Tripod
2485/4T4B	24×85	615×2150	471	4"-8UN	4"-8UN	2150	1830	320	615	FRP Tripod
3068/4T	30×68	780×1730	690	4"-8UN	/	1730	1690	/	780	FRP Round
3072/4T	30×72	780×1850	690	4"-8UN	/	1850	1690	/	780	FRP Tripod
3072/4T4B	30×72	780×1850	690	4"-8UN	4"-8UN	1850	1680	175	780	FRP Tripod
3085/4T	30×85	780×2150	758	4"-8UN	/	2150	1830	/	780	FRP Tripod
3085/4T4B	30×85	780×2150	758	4"-8UN	4"-8UN	2150	1830	320	780	FRP Tripod
3087/6T6B	30×87	780×2200	728	6"-flange	6"-flange	2200	1935	265	780	FRP Tripod
3672/4T4B	36×72	918×1850	850	4"-8UN	4"-8UN	1850	1610	240	918	FRP Tripod
3685/4T4B	36×85	918×2150	1023	4"-8UN	4"-8UN	2150	1830	320	918	FRP Tripod
3689/6T6B	36×89	918×2260	1023	6"-flange	6"-flange	2260	1940	320	918	FRP Tripod
3694/6T6B	36×94	918×2400	1205	6"-flange	6"-flange	2400	2140	260	918	FRP Tripod
4072/4T4B	40×72	1020×1850	1046	6"-flange	6"-flange	1850	1605	245	1020	FRP Tripod
4094/6T6B	40×94	1020×2400	1332	6"-flange	6"-flange	2400	2155	225	1020	FRP Tripod
4272/6T6B	42×72	1088×1850	1100	6"-flange	6"-flange	1850	1615	235	1088	FRP Tripod
4289/6T6B	42×89	1088×2270	1389	6"-flange	6"-flange	2270	1950	320	1088	FRP Tripod
4872/6T6B	48×72	1218×1850	1308	6"-flange	6"-flange	1850	1565	285	1218	FRP Tripod
4889/6T6B	48×89	1218×2270	1743	6"-flange	6"-flange	2270	1950	320	1218	FRP Tripod
4894/6T6B	48×94	1218×2400	1909	6"-flange	6"-flange	2400	2110	290	1218	FRP Tripod
48110/6T6B	48×110	1218×2800	2360	6"-flange	6"-flange	2800	2510	290	1218	FRP Tripod
6094/6T6B	60×94	1530×2400	2688	6"-flange	6"-flange	2400	2110	290	1530	FRP Tripod
60110/6T6B	60×110	1530×2800	3392	6"-flange	6"-flange	2800	2510	290	1530	FRP Tripod
6383/6T6B	63×83	1620×2100	2580	6"-flange	6"-flange	2100	1780	320	1620	FRP Tripod
6394/6T6B	63×94	1620×2400	3150	6"-flange	6"-flange	2400	2080	320	1620	FRP Tripod
★7294/6T6B	★72×94	1836×2400	3561	6"-flange	6"-flange	2400	2045	355	1836	FRP Tripod

★ The actual dimension may have ±1.2% error due to PE materials contraction coefficient

# FRP Water Pressure Tank (Vessel)

# One-piece PE liner tank with discharge port



## UMK-H TANK SPECIFICATION

Model	Vessel Size		Vol L	Opening		Dimension/mm				Base
	Inch	mm		Top	Bot.	LA	LB	LC	D	
H2162/4T-R	21×62	550×1650	326	4"-8UN	/	1650	1600	/	550	FRP Round
H2162/4T	21×62	550×1910	326	4"-8UN	/	1910	1600	/	550	FRP Tripod
H2162/4T4B	21×62	550×1910	326	4"-8UN	4"-8UN	1910	1590	320	550	FRP Tripod
H2472/4T-R	24×72	615×1890	471	4"-8UN	/	1890	1839	/	615	FRP Round
H2472/4T	24×72	615×2150	471	4"-8UN	/	2150	1839	/	615	FRP Tripod
H2472/4T4B	24×72	615×2150	471	4"-8UN	4"-8UN	2150	1830	320	615	FRP Tripod
H3072/4T-R	30×72	780×1860	758	4"-8UN	/	1860	1839	/	780	FRP Round
H3072/4T	30×72	780×2150	758	4"-8UN	/	2150	1830	/	780	FRP Tripod
H3072/4T4B	30×72	780×2150	758	4"-8UN	4"-8UN	2150	1830	320	780	FRP Tripod
H3672/4T4B	36×72	918×2150	1023	4"-8UN	4"-8UN	2150	1830	320	918	FRP Tripod
H3672/6T6B	36×72	918×2260	1023	6"-flange	6"-flange	2260	1940	320	918	FRP Tripod
H4272/6T6B	42×72	1088×2270	1389	6"-flange	6"-flange	2270	1950	320	1088	FRP Tripod
H4872/6T6B	48×72	1218×2270	1743	6"-flange	6"-flange	2270	1950	320	1218	FRP Tripod
H6370/6T6B	63×70	1620×1780	2580	6"-flange	6"-flange	2100	1780	320	1620	FRP Tripod
H6383/6T6B	63×83	1620×2080	3150	6"-flange	6"-flange	2400	2080	320	1620	FRP Tripod

★ The actual dimension may have ±1.2% error due to PE materials contraction coefficient



### Product Advantage

It is easier to discharge filling compared with normal PE line tank; Compared with tank with hand layout molding discharge port, it is more stable in quality and better in sanitary condition.

## UMK-D TANK SPECIFICATION

Model	Vessel Size		Vol L	Opening			Dimension/mm				Base
	Inch	mm		Top	Bot.	Dis.	LA	LB	LC	D	
4272/6T6B4D	42×72	1088×1850	1100	6"-flange	6"-flange	4"-flange	1850	1615	235	1088	FRP Tripod
4289/6T6B4D	42×89	1088×2270	1389	6"-flange	6"-flange	4"-flange	2270	1950	320	1088	FRP Tripod
4872/6T6B4D	48×72	1218×1850	1308	6"-flange	6"-flange	4"-flange	1850	1565	285	1218	FRP Tripod
4889/6T6B4D	48×89	1218×2270	1743	6"-flange	6"-flange	4"-flange	2270	1950	320	1218	FRP Tripod
4894/6T6B4D	48×94	1218×2400	1909	6"-flange	6"-flange	4"-flange	2400	2110	290	1218	FRP Tripod
48110/6T6B4D	48×110	1218×2800	2360	6"-flange	6"-flange	4"-flange	2800	2510	290	1218	FRP Tripod
6094/6T6B4D	60×94	1530×2400	2688	6"-flange	6"-flange	4"-flange	2400	2110	290	1530	FRP Tripod
60110/6T6B4D	60×110	1530×2800	3392	6"-flange	6"-flange	4"-flange	2800	2510	290	1530	FRP Tripod
6383/6T6B4D	63×83	1620×2100	2580	6"-flange	6"-flange	4"-flange	2100	1780	320	1620	FRP Tripod
6394/6T6B4D	63×94	1620×2400	3150	6"-flange	6"-flange	4"-flange	2400	2080	320	1620	FRP Tripod
★7294/6T6B4D	★72×94	1836×2400	3561	6"-flange	6"-flange	6"-flange	2400	2045	355	1836	FRP Tripod
H4272/6T6B4D	42×72	1088×2270	1389	6"-flange	6"-flange	4"-flange	2270	1950	320	1088	FRP Tripod
H4872/6T6B4D	48×72	1218×2270	1743	6"-flange	6"-flange	4"-flange	2270	1950	320	1218	FRP Tripod
H6370/6T6B4D	63×70	1620×1780	2580	6"-flange	6"-flange	4"-flange	2100	1780	320	1620	FRP Tripod
H6382/6T6B4D	63×82	1620×2080	3150	6"-flange	6"-flange	4"-flange	2400	2080	320	1620	FRP Tripod

★ The actual dimension may have ±1.2% error due to PE materials contraction coefficient

# Stainless Steel Pressure Tank (Vessel)

Diameter×Hight (mm)	Berrel Height (mm)	Thickness (mm)	Opening	Water capacity	Pressure
200×450	320	1.2	Top opening 2.5"	0.1-0.2	0.6MPA
200×900	770	1.2	Top opening 2.5"	0.2-0.4	0.6MPA
200×1100	940	1.2	Top opening 2.5"	0.2-0.5	0.6MPA
250×900	750	1.2	Top opening 2.5"	0.5-1.0	0.6MPA
250×110	940	1.5	Top opening 2.5"	0.5-1.0	0.6MPA
250×4350	1220	1.5	Top opening 2.5"	0.5-1.5	0.6MPA
300×1350	1220	1.5	Top opening 2.5"	1.6-2.2	0.6MPA
300×1650	1500	1.5	Top opening 2.5"	2.0-2.5	0.6MPA
350×1650	1500	1.5	Top opening 2.5"	2.5-3.0	0.6MPA
400×1650	1500	1.5	Top opening 2.5"	2.5-3.5	0.6MPA

★ The actual dimmension may have ±1.2% error due to PE materlats contraction coefficient

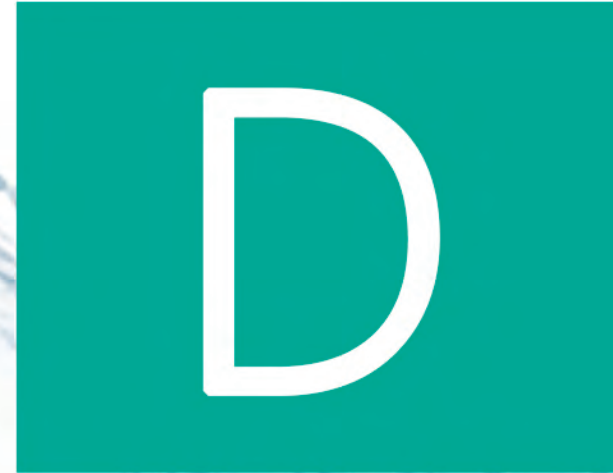


Diameter×Hight (mm)	Berrel Height (mm)	Thickness (mm)	Opening	Water capacity	Material	Pressure
500×1750	1220	2.0	Top opening 4"	3-5	304	0.6MPA
600×1900	1220	2.0	Top opening 4"	5-7	304	0.6MPA
750×1900	1220	2.0	TB 4"	7-11	304	0.6MPA
750×2100	1220	2.0	TB 6" flange	7-11	304	0.6MPA
800×1900	1220	2.0	TB 4"	8-11	304	0.6MPA
800×2100	1220	2.0	TB 6" flange	8-11	304	0.6MPA
900×1900	1220	2.0	TB 4" Female thread	8-12	304	0.6MPA
900×2100	1220	2.0	TB 6" flange	8-12	304	0.6MPA
1000×2100	1220	3.0	TB 4" Female thread	10-12	304	0.6MPA
1000×2400	1220	3.0	TB 6" flange	10-12	304	0.6MPA
1200×2200	1220	3.0	TB 6" flange	10-15	304	0.6MPA
1200×2400	1220	3.0	TB 6" flange	10-15	304	0.6MPA
1400×2400	1220	4.0	TB 6" flange	15-18	304	0.6MPA
1500×2400	1220	4.0	TB 6" flange	15-20	304	0.6MPA
1500×2700	1500	4.0	TB 6" flange	15-20	304	0.6MPA

★ The actual dimmension may have ±1.2% error due to PE materlats contraction coefficient



# Ro Membrane Housing/Pressure Vessel



# FRP Membrane Housing/Pressure Vessel

## Membrane pressure vessels characteristic:

- Adopt imported material to improve the anti-wearable property
- Adopt special processing technology to make the inside of the products more smooth
- Multi-ports are available according to customer requirements for easy installation
- UMK series adopt upscale automobile baking varnish craft to ensure the smoothness and brightness of the products
- Outstanding corrosion resistance and anti-aging property; Well heat-insulating property and anti-Oxidation property

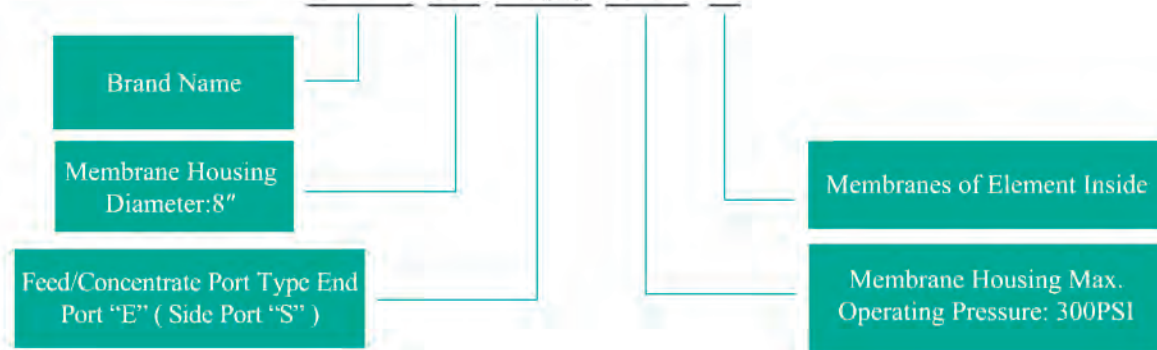
## Spare parts:

- End plate adopts aerial processing technique, efficiently improving the intensity and capacity to resist deformation
- Seal kit adopts special structure and technique, efficiently enhancing the leak tightness
- End-plate made of aluminum alloy, enhance the ability to resist deformation
- Seal kit adopts environmental material to assure the leak tightness and high water quality, meanwhile to improve its anti-aging capacity
- Inlet and outlet are made of high quality stainless steel 316L materials, which have a strong ability to resistance corrosion, easy to disassembly, assembly, maintenance

## Quality Assurance:

- ASME Standard design
- Burst test with 6 times of its design pressure
- 100,000 times cycle test
- 100% quality assurance test with 1.1 times stage elevation of hydrostatic pressure

UMK 80 E (S) 300 - 6



## 8"PRESSURE VESSEL (SIDE PORT)

ITEM NO.	PSI(MPa)	Connection	Membrane size	Number of elements
UMK80S150	150(1.0)	SIDE	8040	1-8
UMK80S300	300(2.1)	SIDE	8040	1-8
UMK80S450	450(3.1)	SIDE	8040	1-8
UMK80S600	600(4.1)	SIDE	8040	1-8
UMK80S1000	1000(6.9)	SIDE	8040	1-8
UMK80S1200	1200(8.4)	SIDE	8040	1-8

## 8"PRESSURE VESSEL (END PORT)

ITEM NO.	PSI(MPa)	Connection	Membrane size	Number of elements
UMK80E150	150(1.0)	END	8040	1-8
UMK80E300	300(2.1)	END	8040	1-8
UMK80E450	450(3.1)	END	8040	1-8
UMK80E600	600(4.1)	END	8040	1-8
UMK80E1000	1000(6.9)	END	8040	1-8
UMK80E1200	1200(8.4)	END	8040	1-8

## 4"PRESSURE VESSEL (SIDE PORT)

ITEM NO.	PSI(MPa)	Connection	Membrane size	Number of elements
UMK40S150	150(1.0)	SIDE	4040	1-4
UMK40S300	300(2.1)	SIDE	4040	1-4
UMK40S450	450(3.1)	SIDE	4040	1-4
UMK40S600	600(4.1)	SIDE	4040	1-4
UMK40S1000	1000(6.9)	SIDE	4040	1-4

## 4"PRESSURE VESSEL (END PORT)

ITEM NO.	PSI(MPa)	Connection	Membrane size	Number of elements
UMK40E150	150(1.0)	END	4040	1-4
UMK40E300	300(2.1)	END	4040	1-4
UMK40E450	450(3.1)	END	4040	1-4
UMK40E600	600(4.1)	END	4040	1-4
UMK40E1000	1000(6.9)	END	4040	1-4

# Stainless Steel Membrane Housing/Pressure Vessel

## UMK1-RO40 Stainless Steel RO Membrane Housing



- Material: SUS304, SUS316L;
- Material of end cap: ABS; SUS304; SUS316L;
- Max working pressure 250Psi;
- Polished or brushing external surface.

## UMK2-RO40 Stainless Steel RO Membrane Housing



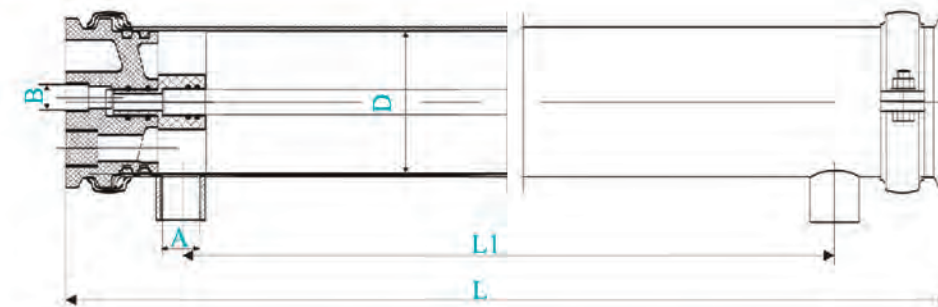
- Material: SUS304, SUS316L;
- Material of end cap: ABS; SUS304; SUS316L;
- Max working pressure 250Psi;
- Polished or brushing external surface.

### Standard Specifications



Model	L(mm)	L1(mm)	D(mm)	A(in)	B(out)
UMK1-2514	417	363	φ 62	1/4"	1/4"
UMK1-2521	594	540	φ 62	3/8"	1/4"
UMK1-2540	1082	1024	φ 62	3/8"	3/8"
UMK1-4014	427	367	φ 102	1/2"	1/2"
UMK1-4021	605	545	φ 102	1/2" 3/4"	1/2"
UMK1-4040	1088	1028	φ 102	1/2" 3/4"	1/2"
UMK1-4080	2104	2044	φ 102	3/4"	1/2"
UMK1-40120	3120	3060	φ 102	3/4"	1/2"
UMK1-40160	4136	4076	φ 102	3/4"	1/2"

### Standard Specifications



Model	L(mm)	L1(mm)	D(mm)	A(in)	B(out)
UMK2-2521	655	511	φ 62	1/2"	1/4"
UMK2-2540	1136	994	φ 62	1/2"	3/8"
UMK2-4021	668	515	φ 102	3/4"	1/2"
UMK2-4040	1148	998	φ 102	3/4"	1/2"
UMK2-4080	2164	2014	φ 102	3/4"	1/2"
UMK2-40120	3180	3030	φ 102	3/4"	1/2"
UMK2-40160	4196	4046	φ 102	3/4"	1/2"

# Stainless Steel Membrane Housing/Pressure Vessel

## UMK3-RO40 Stainless Steel RO Membrane Housing



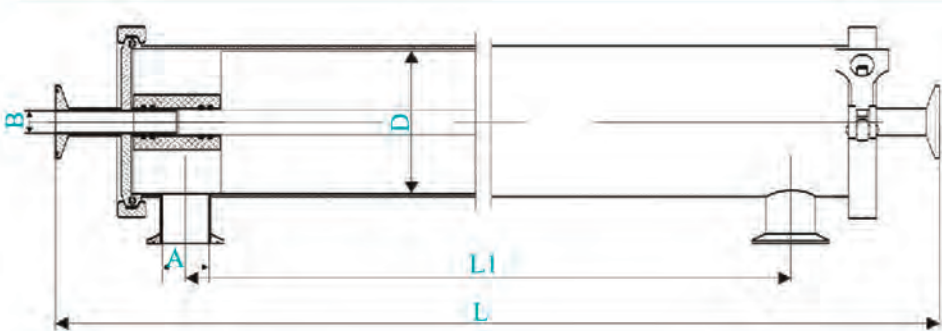
- Material: SUS304, SUS316L;
- Max working pressure 400Psi;
- Polished or brushing external surface.

## UMK4-RO40 Stainless Steel RO Membrane Housing



- Material: SUS304, SUS316L;
- Max working pressure 1000Psi;
- Polished or brushing external surface.

### Standard Specifications



Model	L(mm)	L1(mm)	D(mm)	A(in)	B(out)
UMK3-4040	1176	1010	φ 102	1"	3/4"
UMK3-4080	2192	2026	φ 102	1"	3/4"
UMK3-40120	3208	3042	φ 102	1 1/4"	3/4"
UMK3-40160	4224	4058	φ 102	1 1/2"	3/4"

### Standard Specifications



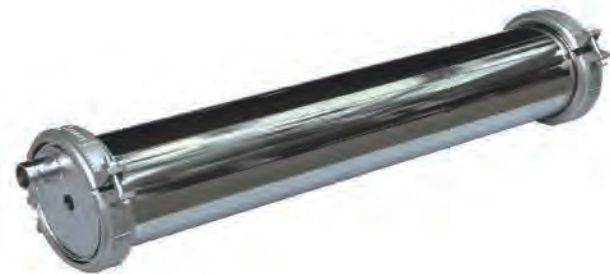
Model	L(mm)	C(mm)	D(mm)	A(in)	B(out)
UMK4-4021-E	612	φ19.5	φ 102	1/2" 3/4"	1/2"
UMK4-4040-E	1094	φ19.5	φ 102	1/2" 3/4"	1/2"
UMK4-4080-E	2110	φ19.5	φ 102	3/4"	1/2"
UMK4-40120-E	3126	φ19.5	φ 102	3/4"	1/2"
UMK4-40160-E	4142	φ19.5	φ 102	3/4"	1/2"

Model	L(mm)	C(mm)	D(mm)	A(in)	B(out)
UMK4-2540-S	1162	1034	φ62	1/2" -3/4"	1/2"
UMK4-4021-S	730	602	φ 102	3/4" -1"	1/2"
UMK4-4040-S	1212	1084	φ 102	3/4" -1"	1/2"
UMK4-4080-S	2228	2100	φ 102	3/4" -1"	1/2"
UMK4-40120-S	3244	3116	φ 102	3/4" -1"	1/2"
UMK4-40160-S	4260	4132	φ 102	3/4" -1"	1/2"



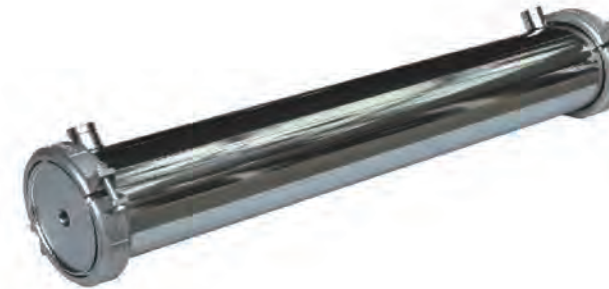
# Stainless Steel Membrane Housing/Pressure Vessel

## UMK5-RO80 Stainless Steel RO Membrane Housing



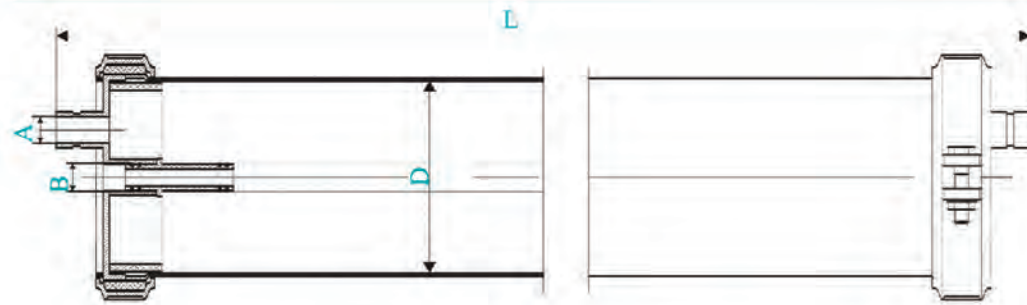
- Material:SUS304, SUS316L;
- Max working pressure 300Psi;
- Polished or brushing external surface.

## UMK6-RO80 Stainless Steel RO Membrane Housing



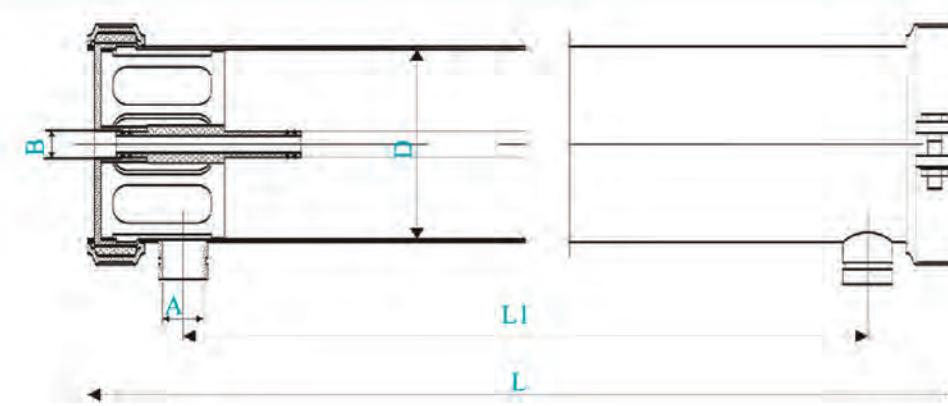
- Material:SUS304, SUS316L;
- Max working pressure 300Psi;
- Polished or brushing external surface.

### Standard Specifications



Model	L(mm)	D(mm)	A(in)	B(out)
UMK5-8040	1214	φ203	1- 1/2"	1"
UMK5-8080	2230	φ203	1- 1/2"	1"
UMK5-80120	3246	φ203	1- 1/2"	1"
UMK5-80160	4262	φ203	1- 1/2"	1"
UMK5-80200	5278	φ203	1- 1/2"	1"
UMK5-80240	6294	φ203	1- 1/2"	1"

### Standard Specifications



Model	L(mm)	L1(mm)	D(mm)	A(in)	B(out)
UMK6-8040	1288	1101	φ203	1 1/2"	1"
UMK6-8080	2304	2117	φ203	1 1/2"	1"
UMK6-80120	3320	3133	φ203	1 1/2"	1"
UMK6-80160	4336	4149	φ203	1 1/2"	1"
UMK6-80200	5352	5165	φ203	1 1/2"	1"
UMK6-80240	6368	6181	φ203	1 1/2"	1"

# Stainless Steel Membrane Housing/Pressure Vessel

## UMK7-RO80 Stainless Steel RO Membrane Housing



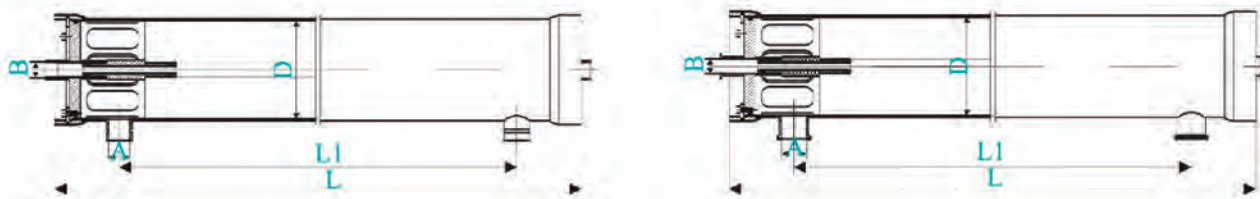
- Material: SUS304, SUS316L;
- Max working pressure 600Psi;
- Polished or brushing external surface.

## UMK8-RO80 Stainless Steel RO Membrane Housing



- Material: SUS304, SUS316L;
- Max working pressure 600Psi;
- Polished or brushing external surface.

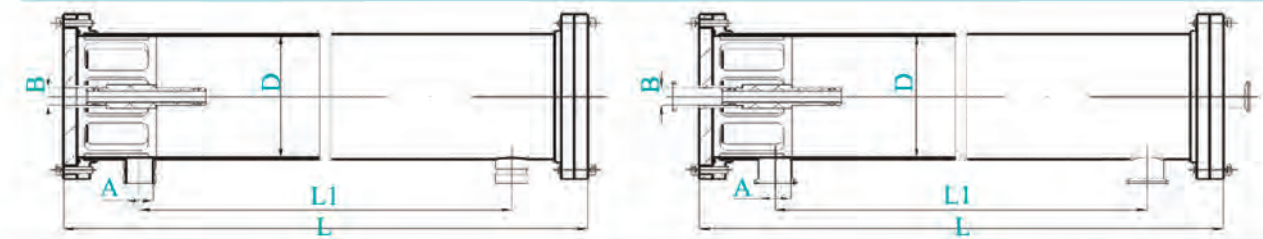
### Standard Specifications



Model	L(mm)	L1(mm)	D(mm)	A(in)	B(out)
UMK7-8040-V	1359	1119	φ203	1- 1/2" -3"	1"
UMK7-8080-V	2375	2135	φ203	1- 1/2" -3"	1"
UMK7-80120-V	3391	3151	φ203	1- 1/2" -3"	1"
UMK7-80160-V	4407	4167	φ203	1- 1/2" -3"	1"
UMK7-80200-V	5423	5183	φ203	1- 1/2" -3"	1"
UMK7-80240-V	6439	6199	φ203	1- 1/2" -3"	1"

Model	L(mm)	L1(mm)	D(mm)	A(in)	B(out)
UMK7-8040-T	1359	1119	φ203	1- 1/2" -3"	1" -1/2"
UMK7-8080-T	2375	2135	φ203	1- 1/2" -3"	1" -1/2"
UMK7-80120-T	3391	3151	φ203	1- 1/2" -3"	1" -1/2"
UMK7-80160-T	4407	4167	φ203	1- 1/2" -3"	1" -1/2"
UMK7-80200-T	5423	5183	φ203	1- 1/2" -3"	1" -1/2"
UMK7-80240-T	6439	6199	φ203	1- 1/2" -3"	1" -1/2"

### Standard Specifications



Model	L(mm)	L1(mm)	D(mm)	A(in)	B(out)
UMK8-8040-V	1301	1071	φ209	1 1/2" -2"	1"
UMK8-8080-V	2317	2087	φ209	1 1/2" -2"	1"
UMK8-80120-V	3333	3103	φ209	1 1/2" -2"	1"
UMK8-80160-V	4349	4119	φ209	1 1/2" -2"	1"
UMK8-80200-V	5365	5135	φ209	1 1/2" -2"	1"
UMK8-80240-V	6381	6151	φ209	1 1/2" -2"	1"

Model	L(mm)	L1(mm)	D(mm)	A(in)	B(out)
UMK8-8040-T	1301	1071	φ209	1 1/2" -2"	1.5"
UMK8-8080-T	2317	2087	φ209	1 1/2" -2"	1.5"
UMK8-80120-T	3333	3103	φ209	1 1/2" -2"	1.5"
UMK8-80160-T	4349	4119	φ209	1 1/2" -2"	1.5"
UMK8-80200-T	5365	5135	φ209	1 1/2" -2"	1.5"
UMK8-80240-T	6381	6151	φ209	1 1/2" -2"	1.5"

# UPVC Cartridge Filter Housings



# UPVC Cartridge Filter Housings (3 or 5 elements)

UMK cartridge filter is a filter system with high precision. It consists of the housing and cartridge elements, mainly used in pretreatment. It can be widely used in electronic industry, sewage treatment, beverage, foods, pure water treatment, also it can acts as home water purification equipment.



In 2005, it has got the utility model patent, which is issued by the state intellectual property office of the P.R.C. The patent NO is: ZL 200520100822.3  
 In 2009, it has got the patent of invention. The patent NO is: 200510049495.X  
 It has achieved 0-0.6 MPa 100,000 times recycle fatigue test successfully.

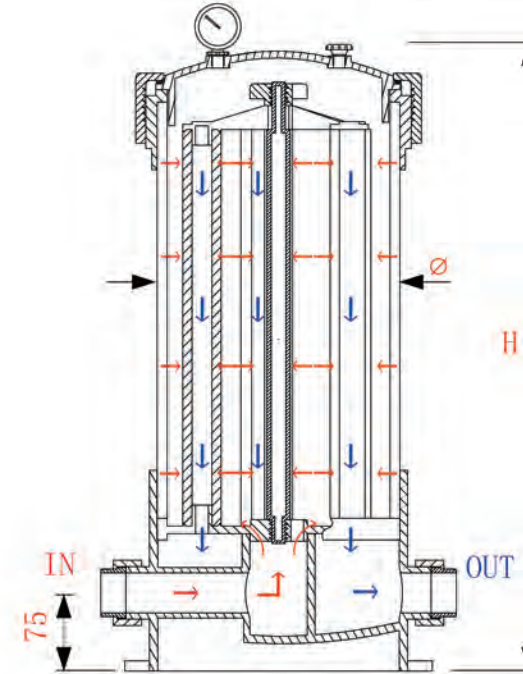


Spanner for the lid of A series

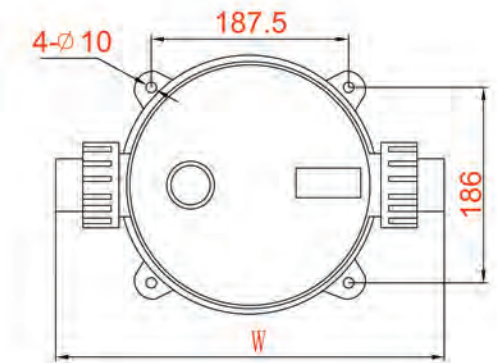
Type	Material	Size	Cartridges (PCS)	Cartridges size	In/Out (mm)	Max pressure
UMK-5DC1	UPVC	Φ225-H465	5/3	10"	DN40/ANSI 1.5" (w=365)	A=0.4MPA
UMK-5DC2		UMK-3DC2		20"		
UMK-5DC3		UMK-3DC3		30"	DN50/ANSI 1.2" (w=437)	B=0.6MPA
UMK-5DC4		UMK-3DC4		40"		

**Note:**

It can install all material; all precision's cartridge 5 PCS or 3 PCS, which I.D. is 28-30mm, O.D. is 65-70mm. The highest working temperature is 45 °C, The size of the two holes in the lid of the filter is G1/4". If the thread of the pressure gauge is metric standard, should add an adaptor.



Flow Diagram



Pedestal Location

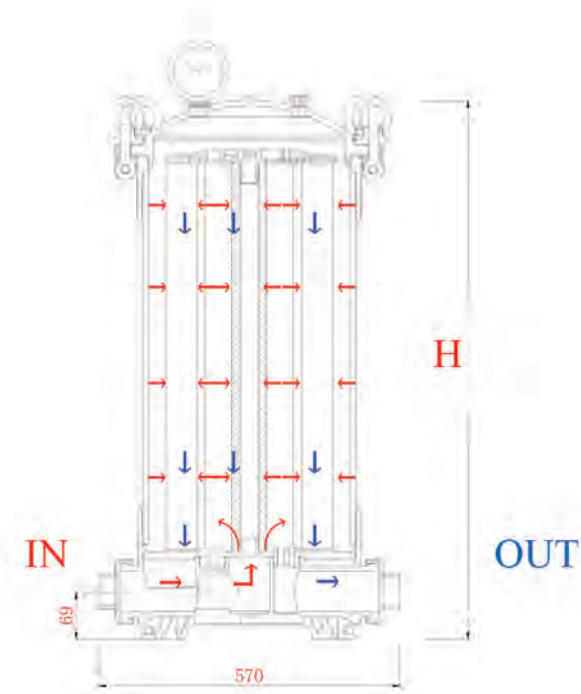
**Product Advantages:**

1. All the parts of this series filters are made of UPVC material.
2. The inlet and outlet are in the same line, which connected with the pipe is adopt a 1.5" or a 2" union.
3. The distribution system of UMK filters is distributed from bottom to top. Water is well-proportioned with small strike to cartridges and air is easy to be discharged.
4. The bottom system of UMK filter is designed together as a whole with the top localizer & closure system. Cartridges are easy to be installed, push down and closed, preventing leaking inside.
5. A series: The lid and the body are connected by a nut. Ensure a good seal performance.  
 B series: The lid and the body are connected using eyebolts flange method, ensure the filter can stand higher pressure.
6. UMK filter is corrosion resistant, It can be used in SS-none-replace field .

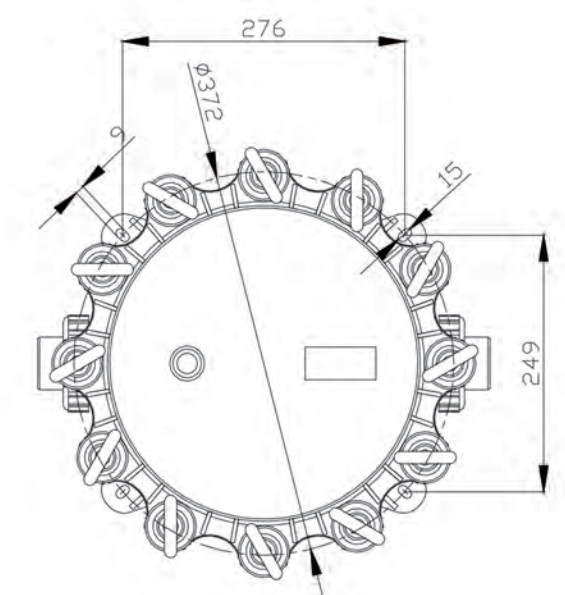
# UPVC Cartridge Filter Housings (8 or 9 elements)



In 2005, it has got the utility model patent, which is issued by the state intellectual property office of the P.R.C. The patent NO is: ZL 200520100822.3  
 In 2009, it has got the patent of invention. The patent NO is: 200510049495.X  
 It has achieved 0-0.6 MPa 100,000 times recycle fatigue test successfully.



Flow Diagram



Pedestal Location

Type	Material	Size	Cartridges (PCS)	Cartridges size	In/Out (mm)	Drainer (mm)	Max pressure
UMK-9DC2	UPVC	Φ315-H745	9/8	20"	DN80/ANSI 3"	DIN1/2" or ANSI1/2"	0.6MPa(86PSI)
UMK-9DC3		Φ315-H995		30"			
UMK-9DC4		Φ315-H1245		40"			

**Note:**  
 It can install all material; all precision's cartridge 9 PCS or 8 PCS, which I.D. is 28-30mm, O.D. is 65-70mm.  
 The highest working temperature is 45 °C, The size of the two holes in the lid of the filter is G1/4". If the thread of the pressure gauge is metric standard, should add an adaptor.

### Product Advantages:

- 1.All the parts of this series filters are made of UPVC material.
- 2.The inlet and outlet are in the same line, which connected with the pipe is adopt a 3" union.
- 3.The distribution system of UMK filters is distributed from bottom to top.Water is well-proportioned with small strike to cartridges and air is easy to be discharged.
- 4.The bottom system of UMK filter is designed together as a whole with the top localizer & closure system.  
 Cartridges are easy to be installed, push down and closed, preventing leaking inside.
- 5.The lid and the body are connected using eyebolts flange method, Ensure a good seal performance. and ensure the filter can stand higher pressure.
- 6.UMK filter is corrosion resistant, It can be used in SS-none-replace field.

# Runxin Control Valve



## Runxin Control Valve



Manual Filter Valve



Manual Softener Valve



Automatic Filter Valve



Automatic Softener Valve



One Valve On Duplex Tanks



Residential Softener of D Series



P Series Control Valve



IOT Control Valve



Control Valve for Floating Bed

Water Treatment Capacity	Filter		Manual softener	Automatic/Down-flow		Automatic/Up-flow	
	Manual	Automatic	Down-flow Up-flow	Time Clock Type	Meter Type	Time Clock Type	Meter Type
1-2m³/h	51201A/51201B 50201C/51102 51202C	53502/52502H 53502B/63502P	61202/61202C 71202 (UF)	63502/60002 (Semi-automatic) 62502/63502B/63502P	63602/62602 63602B/63602P	73502/70002 (Semi-automatic) 72502/73502B/73502P	73602/72602 73602B/73602P
	F52/F56B/F56C F56E/F56EC	F71B1/F71D1 F71G1/F71P	F64B/F64BC F64C (UF)	F65B1/F65C/F65D1 F65G1/F65P1	F65B3/F65D3 F65G3/F65P3	F69A1/F69C/F69D1 F69G1/F69P1	F69A3/F69D3 F69G3/F69P3
4m³/h	51104/51204C	53504S/53504 52504H/53504B 63504P	61104/61204C	63504S/63504/62504 63504B/63504P	63604S/63604 63604B/63604P	73504S/73504/72504 73504B/73504P	73604S/73604/72604 73604B/73604P
	F56A/F56AC	F67B/F67C1/F67D1 F67G1/F67P	F64A/F64AC	F63B1/F63C1/F63D1 F63G1/F63P1	F65B3/F63C3 F63G3/F63P3	F68A1/F68C1/F68D1 F68G1/F68P1	F68A3/F68C3/F68D3 F68G3/F68P3
5-6m³/h	51106	53506S	61106			72505/73505	72605/73605
	F56F	F67B-A	F64F			F92A1-LCD F92A1-LED	F92A-LCD F92A-LED
10m³/h	51210	53510/53510B	61210	63510/63510B	63610/63610B		
	F56D	F75A1/F75B1	F64D	F74A1/F74B1	F74A3/F74B3		
12-18m³/h	51215	53518	61215	63518/63515	63618/63615 63612	73515	73615
	F77BS	F77B1	F77AS	F77A1/F99A1	F77A3/F99A3/F99	F99D1	F99D3
20m³/h		53520		63520	63620	73520	73620
		F95B1		F95A1/F111A1	F95A3/F111A3	F95D1	F95D3
30-40m³/h	51240B	53530	61240B	63540	63640		
	F112BS	F112B1/F112B3	F112AS	F112A1	F112A3		
50m³/h		53550		63550	63650	73520	73620
		F96B1		F96A1	F96A3	F96D1	F96D3

Others							
Name	New Model	Old Model	Remark	Name	New Model	Old Model	Remark
Bypass Valve	41104	F70A	Suited with F63/F68	Brine Valve	43010		Match with 07 tank
	41102	F70B	Suited with F65/F69		43020		Match with tank less than 16
	41204	F70C	Suited with F63/F68/F82				
	41202	F70D	Suited with F79				
	41206	F70F	Suited with F97/F92				
Name	New Model	Old Model	Water Treatment Capacity	Name	New Model	Old Model	Water Treatment Capacity
Down/Up-flow Softener	83602	F79	2 m³/h	Control Valve for Mixed Bed	15702	F86	2 m³/h
	83604	F82A3	4 m³/h		15704	F87	4 m³/h
	83504	F82A1	4 m³/h	Dexidized Control Valve	13504	F85	4 m³/h
	82602	F105	25 m³/h	One Valve on Duplex Tanks	17603	F73	35 m³/h
93504	F83A	4 m³/h	17610		F88A	10 m³/h	
Control Valve for Floating Bed	93610	F88C	10 m³/h	17606	F98A	6 m³/h	
	92115	F77CS	15 m³/h		F76		
	93620	F95C	20 m³/h	Auto Shut Off Valve	48820	F104	
	93640	F78C	40 m³/h	Electronic Three-way Valve	42020	F80	20 m³/h
	93650	F96C	50 m³/h	On-line Sampling Monitory Device	44310	F84	
	93606	F98C	6 m³/h	Disc Filter	45006	F90A	6 m³/h
			45012		F90B	12 m³/h	
			45020		F90C	20 m³/h	
			45040		F90D	40 m³/h	

## Runxin Control Valve

Type	New Model	Old Model	Inlet/Outlet	Drain	Base	Riser Pipe	Brine Line Connector	
Manual Filter Valve	51201A	F52	1/2"F	1/2"F	M82×3	φ16.5mm	/	
	51101B	F56B	1/2" For 3/4"F	1/2" F	Tr96×6 or φ 98 hackle whorl	1.05"OD		
	51101C	F56C			Tr118×6 or Tr110×6			
	51102/51202C	F56E/F56EC			2.5"-8NPSM			
	51104/51204C	F56A/F56AC	1"F	1"F	4"-8UN	1"D-GB		
	51106	F56F	1"F	1.5"F		1.5"D-GB		
	51110	F56D	2"F	2"M	Side-Mounted, DN80 Top and bottom strainer connector	/		
	51215	F77BS	2"M	DN65				
	51230	F78BS	DN65	DN65				
Automatic Filter Valve	53502/53502B	F71B/F71G/F71P/F71D	3/4"M	3/4"M	2.5"-8NPSM	1.05"OD	/	
	53502P/52502H		1"F	1"F				
	53504/53504S/53504B	F67C/F67B/F67G						1.5"D-GB
	53504C/53504P/52504H	F67I/F67P/F67D	2"M	2"M	4"-8UN			
	53506S	F67B-A				1.5"D-GB		
	53510/53510B	F75A/75B	/					
	53518	F77BI		1.5"D-GB				
	53520/53620	F95B/F95B3	/					
	53520/53620	F111B/F111B3		/				
	53530	F78BI	DN65		DN65	Side-Mounted, DN80 Top and bottom strainer connector		
	53540/53640	F112B/F112B3	DN65	DN65				
	53550/53650	F96B/F96B3	DN80	DN80	Side-Mounted, DN100 Top and bottom strainer connector			
Manual Softener Valve	61202/61202C	F64B/F64BC	3/4"F	1/2"M	2.5"-8NPSM	1.05"OD	3/8"M	
	71202	F64C	3/4"F	1/2"M				
	61104/61104C	F64A/F64AC	1"F	1/2"M	4"-8UN	1.25"D-GB	1/2"M	
	61206	F64F	1.5"M	3/4"M				
	61210	F64D	2"M	1"M	1.5"D-GB	/		
	61215	F77AS	2"M	1.5"M				
	61240	F78AS	DN65	DN65	Side-Mounted, DN80 Top and bottom strainer connector			
Automatic Softener Valve	63502/63502B	F65B/F65G/F65P/F65D	3/4"F	1/2"M	2.5"-8NPSM	1.05"OD	3/8"M	
	63502P/63502							
	73502/73502B	F69A/F69G/F69P/F69D						
	76502P/72502		1"M	1.05"OD				
	63504S/63504/63504B	F63B/F63C/F63G/F63I						
	63504C/63504P/63504	F63P/F63D	1.05"OD					
	73504S/73504/73504B	F68A/F68C/F68G						
	73504P/72504	F68P/F68D	1"D-GB					
	73605	F92A		NPT1"	NPT1"			
	63510/63510B	F74A/F74B	2"M	1"M	4"-8UN	1.5"D-GB		1/2"M
	63615	F99A	2"M	1"M				
	63518	F77A	2"M	1.5"M	Side-Mounted	/		3/4"M
	63520/73520	F95A/F95D	2"M	1.5"M				
	63520	F111A	2"M	1.5"M	4"-8UN	/		
	63540	F78A	DN65	DN65				Side-Mounted, DN80 Top and bottom strainer connector
	63540	F112A	DN65	DN65				
	63550	F96A	DN80	DN80	Side-Mounted, DN100 Top and bottom strainer connector			
	82602/82602B	F79A-LCD/F79B-LCD	3/4"M	1/2"M	2.5"-8NPSM	1.05"OD		3/8"M
	83604/82604B	F82A-LCD/F82B-LCD	1"M	1/2"M				
82603	F97	3/4"M	NPT3/4					
82602E	F105	3/4"M	1/2"M					
17603	F73	1"M	1/2"M	2.5"-8NPSM			1.05"OD	
One Valve on Duplex Tanks	17606	F98	1"M	3/4"M	Side-Mounted, 1"Mop and bottom strainer connector		1/2"M	
	17610	F88	1.5"M	1"M	Side-Mounted, 1.5"Mop and bottom strainer connector			
	93504	F83A	1"M	1/2"M	2.5"-8NPSM	1.05"OD		3/8"M
Control Valve for Floating Bed	93606	F98C	1"M	3/4"M	Side-Mounted, 1"Mop and bottom strainer connector		1/2"M	
	93610	F88C	1.5"M	1"M	Side-Mounted, 1.5"Mop and bottom strainer connector			
	91215	F77CS	2"M	1.5"M	4"-8UN	1.5"D-GB		
	93520	F95C			Side-Mounted, 2"Mop and bottom strainer connector			
	91240/93640	F78CS/F78C	DN65	DN65	Side-Mounted, DN80 Top and bottom strainer connector		3/4"M	

Type	W.T.C.(m/h)	Tank Diameter Range	Regeneration Mode	Water Pressure	Water Temperature	Environment Temperature	Relative Humidity	Turbidity				
Manual Filter Valve	1	6"-10"	/	0.15MPa-0.6MPa	5-50°C	5-50°C	≤95%(25°C)	<20FTU				
	1	10" Filter housing										
	1	20" Filter housing										
	2	6"-10"		0.2MPa-0.6MPa				<10FTU				
	4	6"-12"										
	6	6"-14"										
	10	10"-24"		/				0.15MPa-0.6MPa	5-50°C	5-50°C	≤95%(25°C)	<20FTU
	15	10"-30"										
	30	24"-42"										
2	6"-10"	/	0.2MPa-0.6MPa		5-50°C	5-50°C	≤95%(25°C)	<10FTU				
4	6"-14"											
6	6"-14"											
10	16"-24"											
18	24"-30"											
20	28"-40"											
20	28"-40"	/	0.15MPa-0.6MPa	5-50°C	5-50°C	≤95%(25°C)	<5FTU					
30	24"-42"											
40	36"-40"											
50	36"-48"											
Manual Softener Valve	2	6"-12"	Down-flow	0.15MPa-0.6MPa	5-50°C	5-50°C	≤95%(25°C)	<5FTU				
	2	6"-12"	Up-flow					<2FTU				
	4	6"-18"	Down-flow	0.2MPa-0.6MPa				<5FTU				
	6	10"-28"										
	10	10"-30"										
	15	14"-42"										
	40	36"-63"										
	Automatic Softener Valve	2	6"-12"	Up-flow				0.15MPa-0.6MPa	5-50°C	5-50°C	≤95%(25°C)	<5FTU
		2		Up-flow								<2FTU
		4	6"-18"	Down-flow								<5FTU
4		6"-18"	Up-flow	<2FTU								
6		10"-24"	Up-flow									
10		16"-30"	Down-flow	0.2MPa-0.6MPa	<5FTU							
15		24"-42"										
18		24"-42"										
20		28"-42"										
20		28"-42"										
40		36"-63"	/	0.15MPa-0.6MPa	5-50°C	5-50°C	≤95%(25°C)	<5FTU or <2FTU				
40		36"-63"										
50		60"-72"										
2		6"-12"										Down/Up-flow
4		6"-18"										Up-flow
3	6"-18"	Down/Up-flow	<5FTU or <2FTU									
2	6"-12"	Down/Up-flow	<5FTU or <2FTU									
One Valve on Duplex Tanks	3.5	8"-14"	Down/Up-flow	0.15MPa-0.6MPa	5-50°C	5-50°C	≤95%(25°C)	<5FTU or <2FTU				
	6	16"-24"	Up-flow					<2FTU				
	10	22"-30"						<2FTU				
	4	10"-14"	Floating Bed					0.2MPa-0.6MPa	5-50°C	5-50°C	≤95%(25°C)	<2FTU
6	16"-18"											
10	20"-24"											
15	24"-32"											
20	24"-32"											
40	36"-48"											



# Filter Housing and Cartridge

G

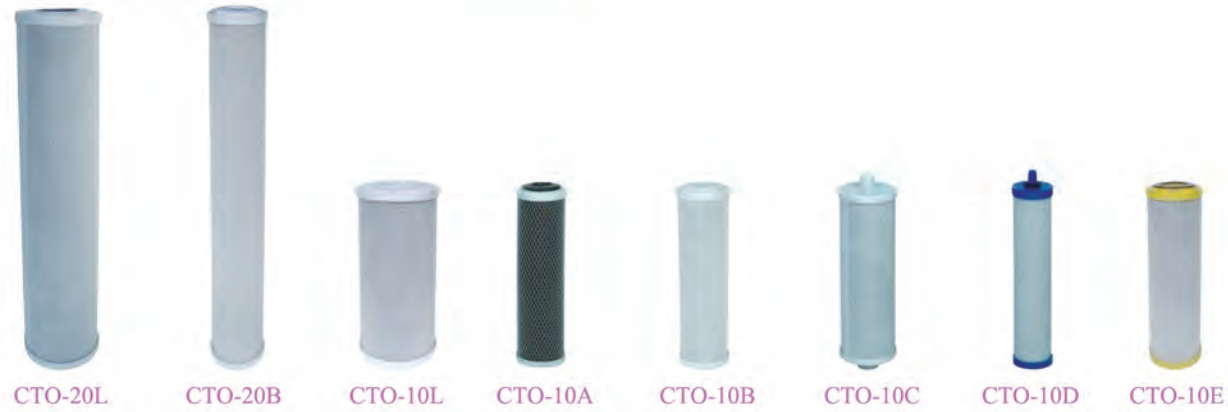


# Filter Housing



# Filter Cartridge

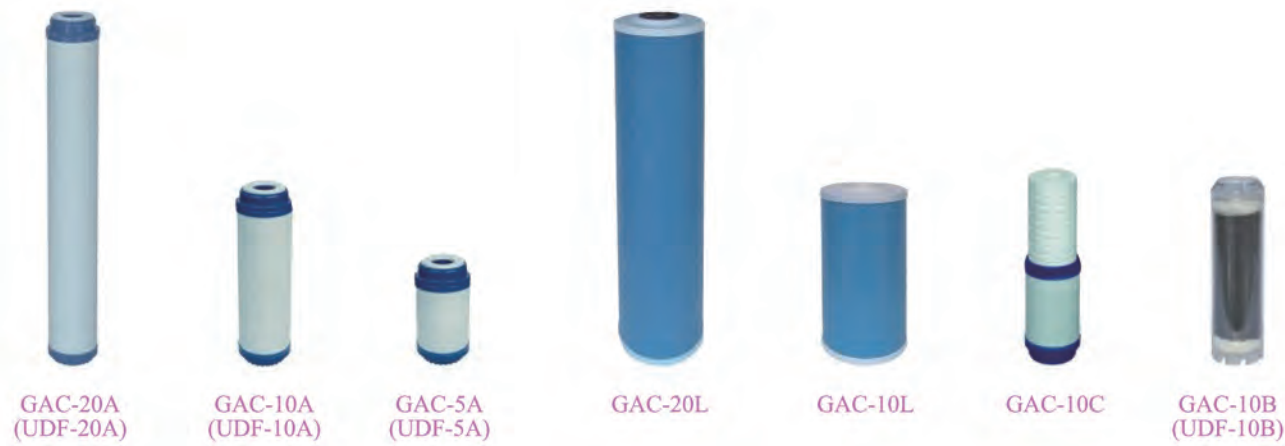
## Block Carbon Filter Cartridge (CTO)



## Thread Filter Cartridge (PPW)



## Granular Activated Carbon Filter (GAC/UDF)



## Pleated Filter Cartridge (PPL)



## PP Sediment Melt Blown Filter Cartridge (PP)



# Filter Cartridge

## Resin/KDF Filter Cartridge (RS/KDF)



## Ceramic Filter Cartridge (CRM)



## RO Membrane



## Ultra Filter Cartridge (UF)



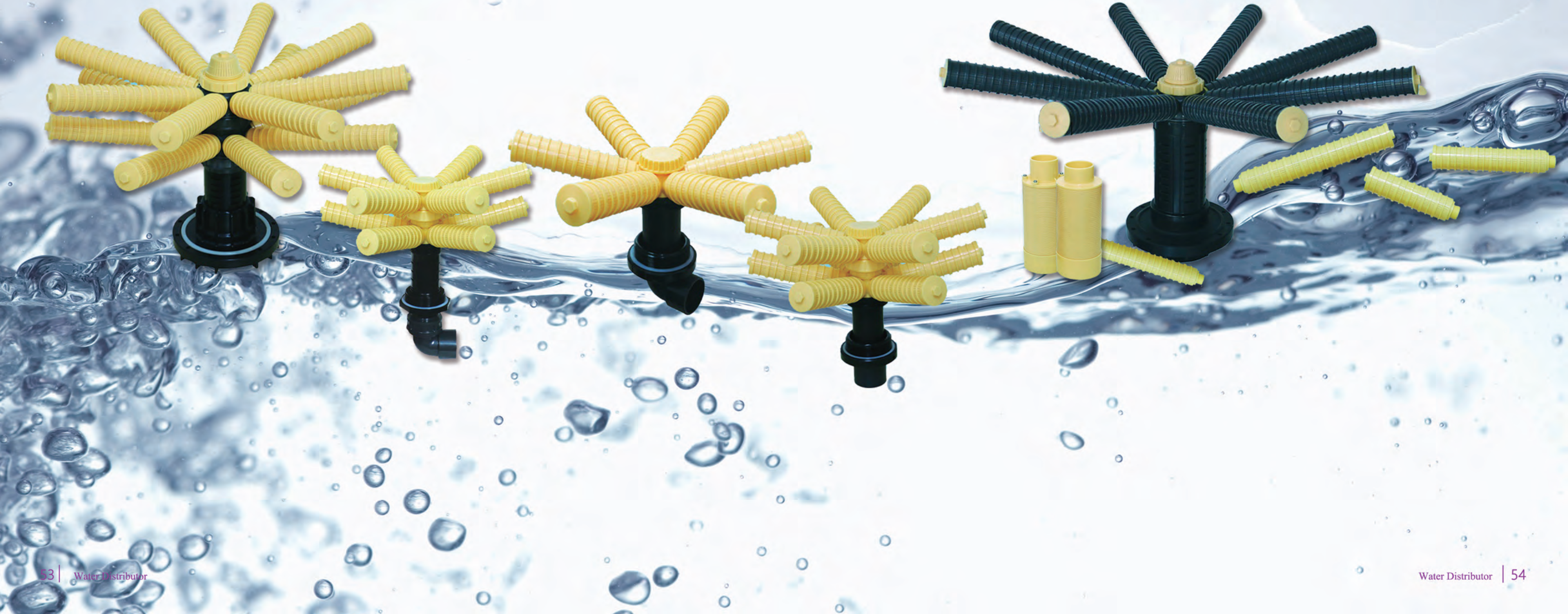
## In-line Filter Cartridge



## New Filter Cartridge



# Water Distributor



# Water Distributor

Top & bottom distributor



180/182 Top stack screen



Top mount 6/12 laterals



Diffuser side mount, Bottom mount 6/12 laterals



Top mount diffuser 6" flange



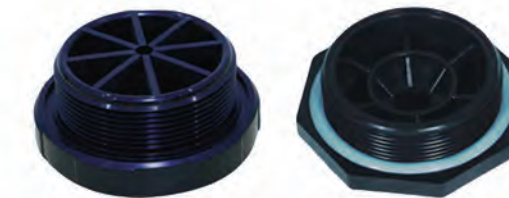
Bottom mount 8/16 laterals, 6" flange



Funnel



Threaded Closures



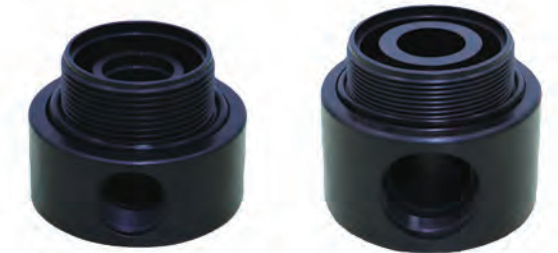
Brine Valve



# Accessories

H

Tank head



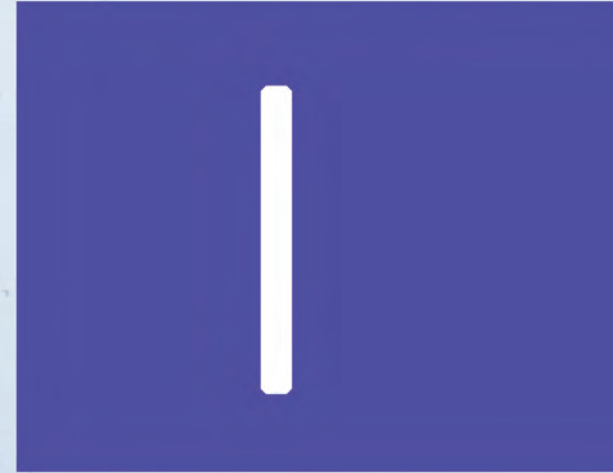
Threaded Adapters



Accessories



# Household Water Purifier



# Household Water Purifier



**UMK-BR10B2**  
Inlet pressure: 8-125 PSI.0.6-8.8 kg/cm<sup>2</sup>  
With plastic bracket, wrench, brass port.



**UMK-BR10B3**  
Inlet pressure: 8-125 PSI. 0.6-8.8 kg/cm<sup>2</sup>  
With plastic bracket, wrench, brass port.



**UMK-BR10B4**  
Triple filtration PP+GAC+CTO  
Inlet pressure: 8-125 PSI. 0.6-8.8 kg/cm<sup>2</sup>  
With steel bracket, wrench.



**UMK-BR10B5**  
Triple filtration PP+GAC+CTO  
Inlet pressure: 8-125 PSI. 0.6-8.8 kg/cm<sup>2</sup>  
With steel bracket, wrench.



**UMK-PR202UV**  
Double filtration +UV light  
PP+CTO+UV light  
Inlet pressure: 8-125 PSI. 0.6-8.8 kg/cm<sup>2</sup>  
With steel bracket, wrench,faucet and other small accessories.



**UMK-PR303A**  
3 stage filtration PP+CTO+T33  
Inlet pressure: 8-125 PSI. 0.6-8.8 kg/cm<sup>2</sup>  
With a wrench,faucet and other small accessories.



**UMK-PR202**  
Double filtration PP+CTO  
Inlet pressure: 8-125 PSI. 0.6-8.8 kg/cm<sup>2</sup>  
With a wrench,faucet and other small accessories.



**UMK-PR203**  
Triple filtration PP+GAC+CTO  
Inlet pressure: 8-125 PSI. 0.6-8.8 kg/cm<sup>2</sup>  
With a wrench,faucet and other small accessories.



**UMK-PRF02**  
Double filtration PP+CTO  
Inlet pressure: 8-125 PSI. 0.6-8.8 kg/cm<sup>2</sup>  
With steel bracket, wrench.



**UMK-PRF03**  
Tripe filtration PP+UDF+CTO  
Inlet pressure: 8-125 PSI. 0.6-8.8 kg/cm<sup>2</sup>  
With steel bracket, wrench.



**UMK-TRR01**  
Single filtration, PP cartridge  
Inlet pressure: 8-125 PSI. 0.6-8.8 kg/cm<sup>2</sup>  
With a wrench,contains a diverter and a faucet.



**UMK-TR201**  
Single filtration, Thread filter or PP cartridge  
Inlet pressure: 8-125 PSI. 0.6-8.8 kg/cm<sup>2</sup>  
With a wrench,contains a diverter and a faucet.



**UMK-PR302**  
Double filtration PP+CTO  
Inlet pressure: 8-125 PSI. 0.6-8.8 kg/cm<sup>2</sup>  
With a wrench,faucet and other small accessories.



**UMK-PR303**  
Triple filtration PP+GAC+CTO  
Inlet pressure: 8-125 PSI./ 0.6-8.8 kg/cm<sup>2</sup>  
With a wrench,faucet and other small accessories.



**UMK-PR304**  
4 stage filtration PP+GAC+CTO+T33  
Inlet pressure: 8-125 PSI./ 0.6-8.8 kg/cm<sup>2</sup>  
With a wrench,faucet and other small accessories.



**UMK-PR305**  
5 stage filtration PP+GAC+CTO+T33+T33  
Inlet pressure: 8-125 PSI./ 0.6-8.8 kg/cm<sup>2</sup>  
With a wrench,faucet and other small accessories.



**UMK-TR201-W**  
Single filtration, Thread filter or PP cartridge  
Inlet pressure: 8-125 PSI. 0.6-8.8 kg/cm<sup>2</sup>  
With a wrench,contains a diverter and a faucet.



**UMK-TR202**  
Double filtration PP+CTO  
Inlet pressure: 8-125 PSI. 0.6-8.8 kg/cm<sup>2</sup>  
With a wrench,contains a diverter and a faucet.



**UMK-TR203**  
Triple filtration PP+GAC+CTO  
Inlet pressure: 8-125 PSI. 0.6-8.8 kg/cm<sup>2</sup>  
With a wrench,contains a diverter and a faucet.



**UMK-TR303**  
Double filtration PP+GAC+CTO  
Inlet pressure: 8-125 PSI. 0.6-8.8 kg/cm<sup>2</sup>  
With a wrench,contains a diverter and a faucet.



**UMK-PR306**  
6 stage filtration PP+GAC+CTO+T33+T33+Mineral Filter  
Inlet pressure: 8-125 PSI./ 0.6-8.8 kg/cm<sup>2</sup>  
With a wrench,faucet and other small accessories.



**UMK-BRM02-LS1**  
Double filtration PP+CTO or depend on your require  
Inlet pressure: 8-125 PSI. 0.6-8.8 kg/cm<sup>2</sup>  
With steel bracket, wrench



**UMK-BRL03**  
Triple filtration PP+GAC+CTO or depend on your require  
Inlet pressure: 8-125 PSI. 0.6-8.8 kg/cm<sup>2</sup>  
With steel bracket, wrench



**UMK-BRL03-LS3**  
Double filtration PP+CTO or depend on your require  
Inlet pressure: 8-125 PSI. 0.6-8.8 kg/cm<sup>2</sup>  
With steel bracket, wrench



# Household Water Purifier



A1-2



A1-3



A1-4



C1-3



C2



C3



A2



AS20-2



AS20-3



Q3



Q3-1



RO-01



A3



B2



B3



TQ



US10-3



US10-4



C1



C1-1



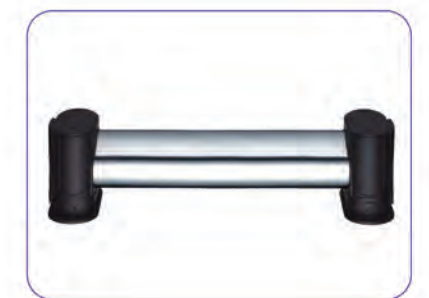
C1-2



US10-5



US150



UB1000

# Water Treatment Accessories Series





### CCT-3320V Conductivity monitor

**Main technical parameter:**

Measure range: 0~20, 0~200, 0~2000, S/cm (external 3. The range is set by the user).  
 Medium temperature: 5~5 °C.  
 Environmental conditions: temperature 0~50 °C,  
 Relative humidity: ≤85% RH or less.  
 Power supply: AC 220V ±10% 50Hz.  
 Dimensions: 48×96×100mm (high x width x depth).  
 Opening size: 45×91mm (height x width).  
 Installation mode: panel mounted.



### RCT-3220 Resistivity monitor

**Main technical parameter:**

Measure range: 0~18.25 MΩ·cm.  
 Medium temperature: 5~50 °C.  
 Power supply: AC 220V ±10% 50Hz.  
 Environmental conditions: temperature 0~50 °C,  
 Relative humidity: ≤85% RH.  
 Dimensions: 48×96×100mm (high x width x depth).  
 Opening size: 45×91mm (height x width).  
 Installation mode: panel mounted.



### RO-2008 Ro program controller

**Main technical parameter:**

Features and applications:  
 The typical working mode of many central reverse osmosis system has no water.  
 Protection, low pressure protection, high pressure protection and alarm function, is a supporting products the small and medium reverse osmosis system.  
 Automatic control to realize.  
 Main technical indicators  
 Signal detection (five channels): no water protection, low pressure protection, high pressure protection.  
 Liquid level protection, external control.  
 Control port (five channels): raw water pump, high pressure pump, flush valve, impulse.  
 Wash the valve.  
 Power supply: AC 220V ±15% 50Hz.  
 Environmental conditions: temperature 0~50 °C,  
 Relative humidity: ≤85% RH  
 Dimensions: 48×96×100mm (high x width x depth).  
 Opening size: 45×91mm (height x width).



### WLG-8350 Series intelligent network turbine flowmeter

**Main technical parameter:**

Applicable pipe diameter: DN25~DN2000, also used in non-standard pipe diameter.  
 Instantaneous value display range: 0~9999, the decimal point can be set;  
 Cumulative value display range: 0~99999999, decimal position can be set;  
 Working conditions: temperature: 0 °C to 50 °C,  
 Relative humidity: ≤90% RH  
 Power supply: DC24V (±4V);  
 Dimensions: 96×96×103mm (high x width x depth);  
 Opening size: 91×91mm (height x width); Installation mode: panel mounted.



### PH/ORP-8150 Series single/double road intelligent acidity meter + REDOX potential

**Main technical parameter:**

Measure range: pH: 0~14pH.  
 ORP: -1999mV~+1999mV.  
 Temperature: 0 °C~99.9 °C;  
 Control range: pH 0.00~14.00; ORP: -1999~+1999mV.  
 Power supply: DC24V (±4V);  
 Environmental conditions: temperature: 0~50 °C,  
 Relative humidity: ≤85% RH  
 Dimensions: 96×96×103mm (high x width x depth)  
 Opening size: 91×91mm (height x width)  
 Installation mode: panel mounted.



### DCK-8550 Series intelligent network conductivity/resistivity

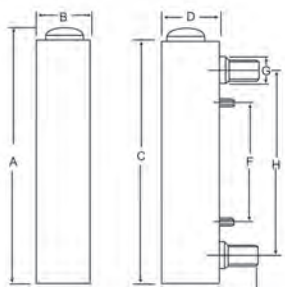
**Main technical parameter:**

Measure range of conductivity meter:  
 0.00~400.0 μS/cm (configuration 0.1 cm-1 electrode)  
 0.00~4000 S/cm (configuration 1.0cm-1 electrode)  
 0~40.00 μS/cm (configuration 10.0 cm-1 electrode);  
 Resistivity meter measuring range: 0.00~18.25 MΩ·cm (electrode configuration is 0.05 cm-1)  
 Temperature measurement range: 0~50 °C;  
 Medium temperature: 5~50 °C;  
 The maximum frequency output is 400 pulses per minute, which is used to drive the metering pump.  
 Environmental conditions: temperature: 0~50 °C;  
 Humidity: ≤90%;  
 Power supply: DC24V (±4V);  
 Dimensions: 96×96×103mm (high x width x depth)  
 Opening size: 91×91mm (height x width)  
 Installation mode: panel mounted.

EZ-1		TDS-01		TDS-02	TDS-3
EZ-2		EZ-3		PVC-1	T-1
PH-01		PH-02		PH-03	
PH-04		PH-05		PH-07	PH-08

# Flow Meter

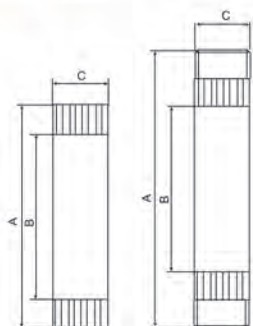
## Panel type flowmeter



No.	Size							
	A	B	C	D	E	F	G	H
LZM-15ZA	157	32	150	35	25	60	25	110
LZM-15Z	175	32	168	35	25	76	25	127
LZM-25Z	234	45	226	46	33	100	37	160

No.	Measurement range			Port size		Precision
	GPM (Liquid)	LPM (Liquid)	Nm <sup>3</sup> /H (Gas)			
LZM-15ZA			0.1-1	ZG1/2"	1/2"BSP	
LZM-15Z			0.6-6	ZG1/2"	1/2"BSP	
LZM-15Z		10-100LPH		ZG1/2"	1/2"BSP	
LZM-15Z		16-160LPH		ZG1/2"	1/2"BSP	
LZM-15Z		25-250LPH		ZG1/2"	1/2"BSP	
LZM-15Z	0.1-1	0.5-4	1-10	ZG1/2"	1/2"BSP	
LZM-15Z	0.2-2	1-7	1.6-16	ZG1/2"	1/2"BSP	
LZM-15Z	0.3-3	1-11	2.5-25	ZG1/2"	1/2"BSP	±4%
LZM-15Z	0.5-5	2-18	4-40	ZG1/2"	1/2"BSP	
LZM-25Z	1.-10	5-35	10-100	ZG1"	1"BSP	
LZM-25Z	2-14	10-50	20-100	ZG1"	1"BSP	
LZM-25Z	2-20	10-70	16-160	ZG1"	1"BSP	
LZM-25Z	5-35	10-130	25-250	ZG1"	1"BSP	
LZM-25Z	5-40	10-150	30-300	ZG1"	1"BSP	
LZM-25Z	5-45	10-170	35-350	ZG1"	1"BSP	

## Tube type flowmeter



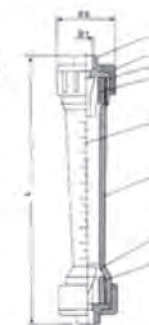
No.	Measurement range			Port size		Precision
	GPM (Liquid)	LPM (Liquid)	Nm <sup>3</sup> /H (Gas)			
LAM-15G	0.1-1	0.5-4	1-10	G1/2" Inlet	1/2"BSP	
LAM-15G	0.2-2	1-7	1.6-16	G1/2" Inlet	1/2"BSP	
LAM-15G	0.5-5	1.8-18	4-40	G1/2" Inlet	1/2"BSP	
LAM-20G	1-10	4-36	6-60	G3/4" Inlet	3/4"BSP	
LAM-25G	2-20	10-70	16-160	G1" Inlet	1"BSP	
LAM-25G	5-30	20-100	25-250	G1" Inlet	1"BSP	
LAM-25G	5-40	20-150	35-350	G1" Inlet	1"BSP	
LAM-40G	5-30	20-110	25-350	G1 1/2" Inlet	1 1/2"BSP	±4%
LAM-40G	5-40	20-150	35-350	G1 1/2" Inlet	1 1/2"BSP	
LAM-40G	20-60	80-220	80-400	G1 1/2" Inlet	1 1/2"BSP	
LAM-50G	20-80	80-300	100-500	G2" outlet	2"BSP	
LAM-50G	20-100	80-360	120-600	G2" outlet	2"BSP	
LAM-50G	40-100	150-450	300-850	G2" outlet	2"BSP	
LAM-50G	50-150	190-560	400-120	G2" outlet	2"BSP	
LAM-50G	60-200	220-750	500-1400	G2" outlet	2"BSP	

NO.	Size(mm)		
	A	B	C
LZM-15G	210	180	32
LZM-20G	278	236	45
LZM-25G	265	235	51
LZM-40G	306	235	51
LZM-50G	380	270	75



## LZS-15-LZ6-65 Product structure drawing

1. Connect pipe
2. Nut
3. "O" seal ring.
4. Upper stop
5. Scale
6. Spinal canal
7. Float
8. Lower stop



## LZS-100-125 Product structure drawing

1. Flange
2. "O" seal ring.
3. Spinal canal
4. Scale
5. Guide bar
6. Float



## LZS-Flowmeter parts material

The spinal canal is AS, connect pipe (flange) nut, upper and lower branch, float AS ABS. LZS-C Long tube type. LZS-D Short tube type.

## Plastic tube type flowmeter

(Dg) mm	No.	Measuring range		Precision	The condition of the measured medium is allowed	
		Long tube type	Short tube type		Temperature °C	Pressure MPA
15	LZS-15	10-100L/h	5-50L/h	±4%	0-60	≤0.6
		16-160L/h	10-100L/h			
		25-250L/h	16-160L/h			
		40-400L/h	25-250L/h			
		60-600L/h	40-400L/h			
			100-1000L/h			
25	LZS-25	100-1000L/h	100-1000L/h	±4%	0-60	≤0.6
		160-1600L/h	160-1600L/h			
		250-2500L/h	250-2500L/h			
32	LZS-32		0.4-4m <sup>3</sup> /h	±4%	0-60	≤0.6
			0.6-6m <sup>3</sup> /h			
50	LZS-50	0.4-4m <sup>3</sup> /h		±4%	0-60	≤0.6
		0.6-6m <sup>3</sup> /h				
		1-10m <sup>3</sup> /h	1-10m <sup>3</sup> /h			
65	LZS-65	4-16m <sup>3</sup> /h	1.6-16m <sup>3</sup> /h	±4%	0-60	≤0.6
			2.5-16m <sup>3</sup> /h			
			5-25m <sup>3</sup> /h			
100	LZS-100		8-40m <sup>3</sup> /h	±4%	0-60	≤0.6
			12-60m <sup>3</sup> /h			
125	LZS-125		14-90m <sup>3</sup> /h	±4%	0-60	≤0.6
			18-120m <sup>3</sup> /h			
			25-150m <sup>3</sup> /h			
			25-180m <sup>3</sup> /h			

## Mounting dimensions

No.	Size(mm)						Suitable pipe (mm)
	Long tube type			Short tube type			
	L	D1	D2	L	D1	D2	
LZS-15	280	20	45	202	20	45	15 or 20
LZS-25	380	32	68	226	32	60	25 or 32
LZS-32				288	40	74	32 or 40
LZS-50	430	63	98	341	63	98	50 or 63
LZS-65				430	75	122	65 or 75
LZS-100	547	17	175	550	Flange connection		100
LZS-125	547	17	205	550	Flange connection		125

# Pressure Gauge

J



Diameter	Model	Installation	Measure Range	Screw Thread	Case material	Accuracy
1 1/2"	Y-40	Bottom connection	0~15Psi ----- 0~3500Psi	1/8" NPT BSPT BSP M10×1	Steel SS 304	±2.5
	Y-40Z	Back connection			Plastic	
	Y-40ZT	Back connection with border			Steel SS 304	

Diameter	Model	Installation	Measure Range	Screw Thread	Case material	Accuracy
2"	Y-50	Bottom connection	0~15Psi ----- 0~3500Psi	1/8" 1/4" NPT BSPT BSP M14×1.5	Steel SS 304	±2.5
	Y-50Z	Back connection			Plastic	
	Y-50ZT	Back connection with border			Steel SS 304	

Diameter	Model	Installation	Measure Range	Screw Thread	Case material	Accuracy
2 1/2"	Y-60	Bottom connection	0~15Psi ----- 0~6000Psi	1/8" 1/4" NPT BSPT BSP M14×1.5	Steel SS 304	±2.5
	Y-60Z	Back connection			Plastic	
	Y-60ZT	Back connection with border			Steel SS 304	



Diameter	Model	Installation	Measure Range	Screw Thread	Case material	Accuracy
3"	Y-75	Bottom connection	0~15Psi ----- 0~3500Psi	4/8" 3/8" NPT BSPT BSP M14×1.5	Steel SS 304	±2.5
	Y-75Z	Back connection			Plastic	
	Y-75ZT	Back connection with border			Steel SS 304	

Diameter	Model	Installation	Measure Range	Screw Thread	Case material	Accuracy
4"	Y-100	Bottom connection	0~15Psi ----- 0~8500Psi	3/8" 1/2" NPT BSPT BSP M20×1.5	Steel SS 304	±1.6
	Y-100Z	Back connection			Plastic	
	Y-100ZT	Back connection with border			Steel SS 304	

Diameter	Model	Installation	Measure Range	Screw Thread	Case material	Accuracy
6"	Y-150	Bottom connection	0~15Psi ----- 0~8500Psi	3/8" 1/2" NPT BSPT BSP M20×1.5	Steel SS 304	±1.6
	Y-150Z	Back connection			Plastic	
	Y-150ZT	Back connection with border			Steel SS 304	

# Other Accessories

Bypass Valve



Solenoid Valve



Chemical Tank



Resin



Carbon Media



Quartz Sand Media



Dosing Pump (SEKO)



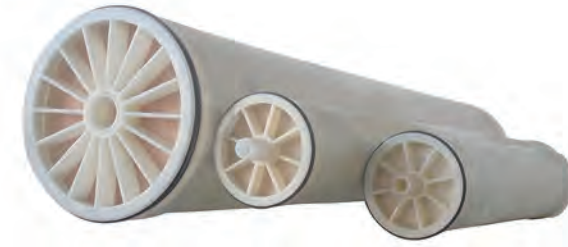
Dosing Pump (MiltonRoy)



Dosing Pump (Pulsafeeder)



Industrial RO membrane



Victaulic Couplings



Brine Tank



EDI



Stainless Steel Water Tank



Philips UV Lamp



CNP High Pressure Pump

