



COMPANY INTRODUCTION

- Founded in 1988 by Mr. Xufeng Yang
- Located in Wuxi, Jiangsu, China
- Plant: 30,000m²
 - Workshop: 24,000m²
 - Warehouse: 5,000m²
 - Office: 1,000m²
- Main equipment:
 - Automatic continuous line for panels
 - Automatic continuous line for shutter slats
 - Roll forming line for tracks and profiles
 - Laser cutting equipment for Metal rapid rolling door

PURCHASE OPTIONS

Wuxi xufeng door industry manufacturing Co., Ltd.



ADDRESS

Liguo Developing Park, DongGang
Town, Xishan District, WuXi City
(214199), JiangSu Province, P.R.CHINA



CALL

+86-510-88350999



WEB

www.xufengdoor.com
www.xufengmy.com



E-MAIL

info@xufengmy.com

©2019 Wuxi xufeng door industry manufacturing Co., Ltd.

 **UFENG DOOR**



 **UFENG DOOR**

**AUTOMATIC
GARAGE
DOOR SYSTEMS**

www.xufengdoor.com

GARAGE DOOR | INDUSTRIAL DOOR | ROLLER SHUTTER



EUROPEAN TYPE - FINGER-PROTECTION

AVAILABLE COLORS

Due to the printing process, colors may vary.



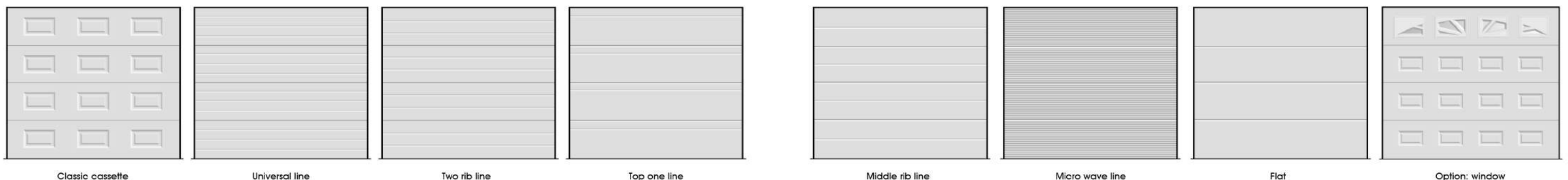
Due to the printing process, colors may vary.



SURFACE EMBOSMENT



PANEL DESIGN



Classic cassette

Universal line

Two rib line

Top one line

Middle rib line

Micro wave line

Flat

Option: window

- 1 Assist angle
- 2 Top bracket
- 3 Roller
- 4 Motor
- 5 Torsion spring
- 6 Spring broken device
- 7 Tubular shaft
- 8 Cable drum
- 9 Upper track&horizontal track
- 10 Adjustable hinge
- 11 Middle hinge
- 12 Emergency lock
- 13 Bottom bracket
- 14 Handle
- 15 Vertical track
- 16 Door panel

HARDWARE DESCRIPTION

Door may not open properly if installed near the top, depending on opening dimensions and lift type.



CHOOSE YOUR CONSTRUCTION

The construction and insulation type improves energy efficiency, durability and noise control of the door.



Finger-protectonal type

Panel width 430~600mm
Panel thickness: 40mm
Density: 45±2kg/m³
Material: Galvanised steel
Epoxy paint
Foaming: B3 grade PU foam

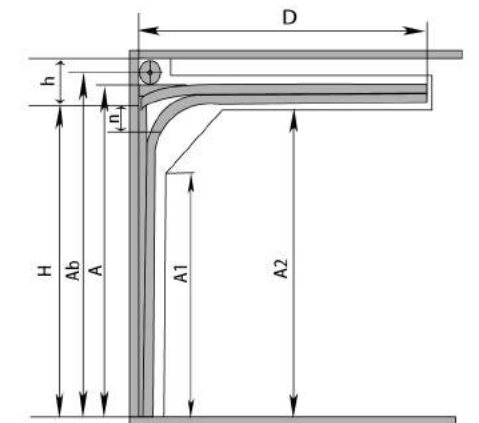
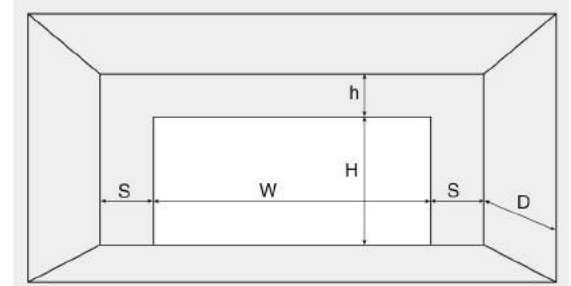


Industrial Finger-protectonal type

Panel width 500mm
Panel thickness: 40mm
Density: 45±2kg/m³
Material: Galvanised steel
Epoxy paint
Foaming: B3 grade PU foam with 1.0mm thickness reinforcement steel
Sponge seal

HOW TO MEASURE

Garage door sizes.

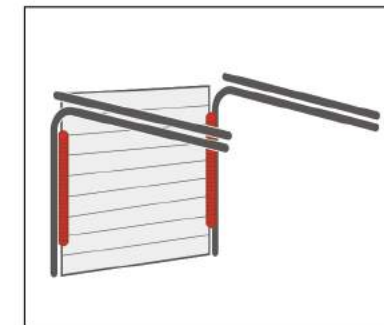


RELIABLE OPERATION

A MODULAR SYSTEM WITH A UNIVERSALLY ADJUSTABLE RAIL SET.

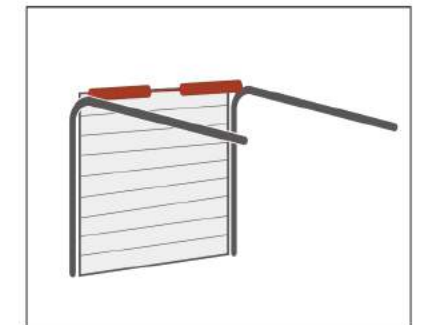
Extension Spring

Headroom min. 150mm (6")
Economic
For little installation space for the garage door.



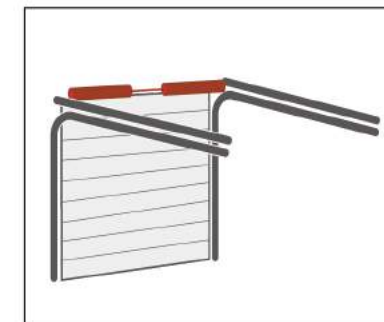
Torsion Spring- Single track

Headroom min. 350mm (14") without L-frame min. 450mm (18") with L-frame



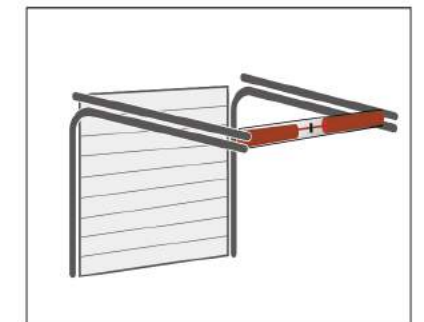
Torsion Spring- Double track

Headroom: general required 250mm (10")
Can adjust if headroom only 200mm (8")



Rear Spring

Headroom min. 150mm (6")
Upgrade, Protect and Extend

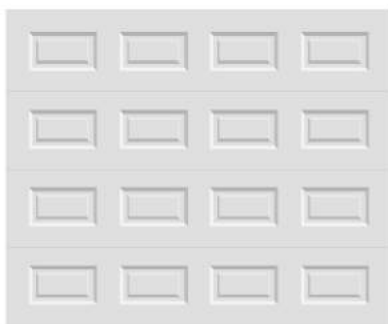




AMERICAN TYPE

CHOOSE YOUR GARAGE DOOR SIZE

Garage door sizes are generally categorized as single or double garage doors.



Single garage doors



Double garage doors

AVAILABLE COLORS

Due to the printing process, colors may vary.



CHOOSE YOUR CONSTRUCTION

<p>BEST INSULATION-2"</p>	<p>2" Insulation between two layers of steel Panel width: 1 3/4", 1 3/5" Panel thickness: 2" Density: 45 ± 2kg/m3 Material: Galvanised steel Foaming: B3 grade PU foam</p>
<p>BETTER INSULATION-1 3/8"</p>	<p>1 3/8" Insulation between two layers of steel Panel width: 1 3/4", 1 3/5" Panel thickness: 1 3/8" Density: 45 ± 2kg/m3 Material: Galvanised steel Foaming: B3 grade PU foam</p>
<p>NON-INSULATION</p>	<p>One layer of durable steel Panel width: 1 3/4", 1 3/5" Panel thickness: 1 3/8" Material: Galvanised steel</p>

PANEL DESIGN

<p>Classic cassette</p>	<p>Universal line</p>
<p>Two rib line</p>	<p>Top one line</p>
<p>Middle rib line</p>	<p>Micro wave line</p>
<p>Flat</p>	<p>Option: window</p>

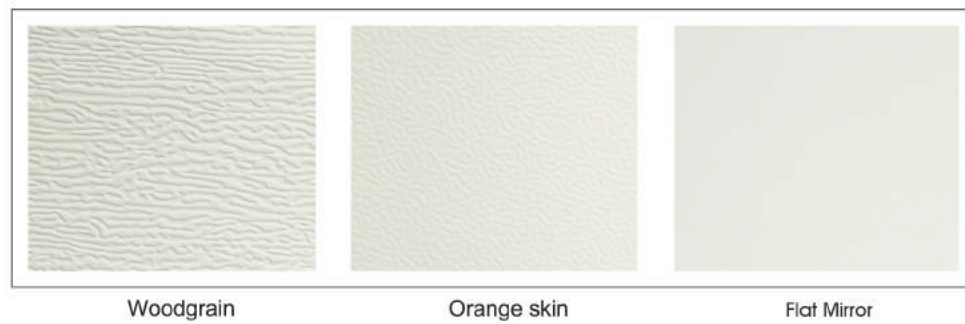
- 1 Assist angle
- 2 Horizontal track
- 3 Cable
- 4 Roller
- 5 Top bracket
- 6 Shaft coupler
- 7 Tubular shaft
- 8 Torsion spring
- 9 Middle bracket
- 10 Cable drum
- 11 Track connection
- 12 Flag bracket
- 13 3# Hinge
- 14 2# Hinge
- 15 Bolt lock
- 16 1# Hinge
- 17 Jamb bracket
- 18 Bottom bracket
- 19 Handle
- 20 Vertical track

HARDWARE DESCRIPTION

Door may not open properly if installed near the top, depending on opening dimensions and lift type.

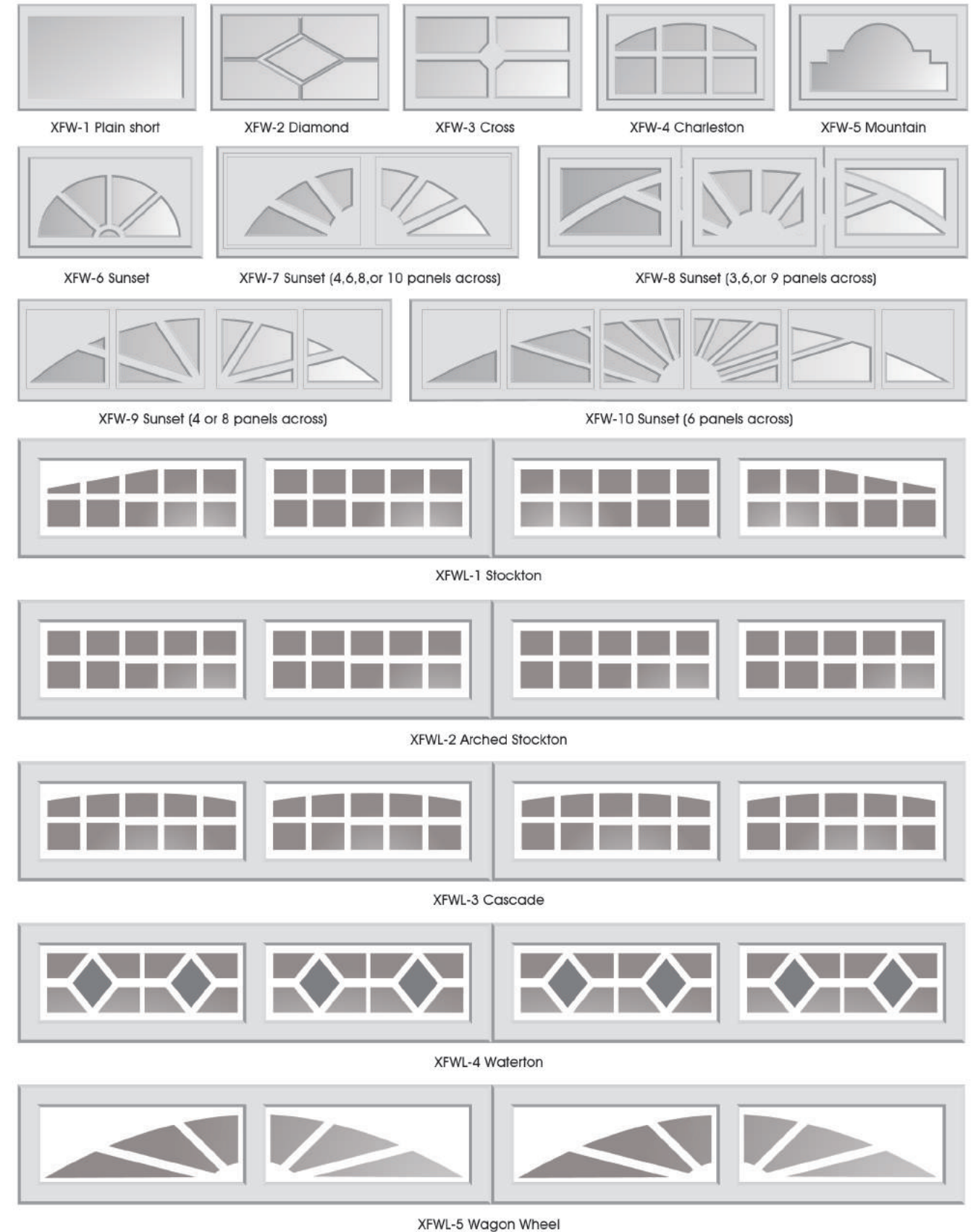


SURFACE EMBOSMENT



AVAILABLE OPTIONS

The section/Windows options



ADDITIONAL OPTIONS

The garage door opener & optional control devices.



Model	SA-600	SA-800	SA-1300
Rated Voltage	230V,50/60Hz	230V,50/60Hz	230V,50/60Hz
Output torque	600N	800N	1300N
Rated current	0.7A	0.8A	0.9A
Rated power	150W	180W	210W
Max. speed	160mm/s	150mm/s	150mm/s
Suit for door	9m ²	13m ²	18m ²
Working temperature range	-20 °C ~ +60 °C		



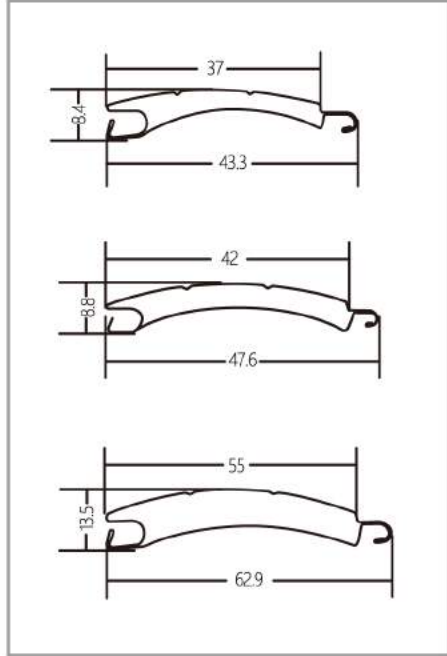
Model	XFC-600	XFC-800	XFC-1000	XFC-1200	XFC-1500
Rated Voltage	110 or 220x(1±10%) VAC , 50/60Hz				
Output torque	600N	800N	1000N	1200N	1500N
DC motor	24V/7N	24V/8N	24V/8N	24V/8N	24V/8N
Rated current	2.5A	3.3A	4.1A	5A	6.25A
Rated power	80W	80W	100W	120W	150W
Max. speed	100mm/s	100mm/s	100mm/s	100mm/s	100mm/s
Suit for door	8-10m ²	10-12m ²	12-14m ²	14-18m ²	18-20m ²
Working temperature range	-20°C ~ +40°C				



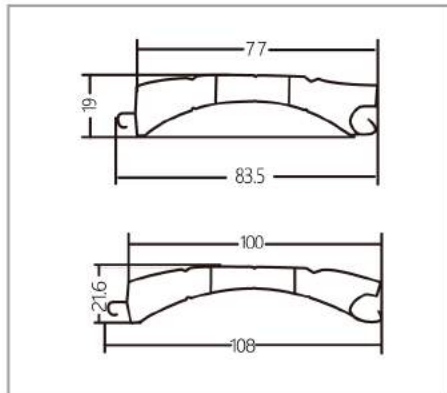
- Option:**
- Chain drive & belt drive
 - 1/2/3 pcs rail as customer request
 - Photocell
 - Back-up Battery
 - Radar
 - Wire Wall Switch
 - Wireless Wall Switch
 - Code panel



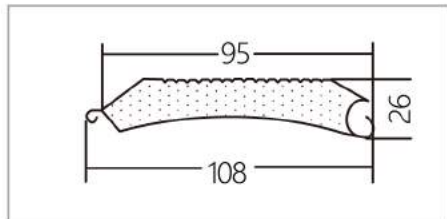
Aluminum shutter series for window
Insulation, max. length 6000mm
37mm/42mm/55mm



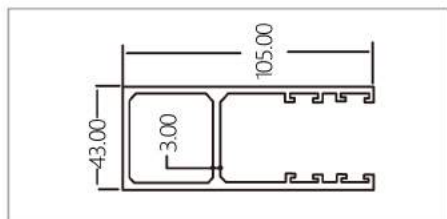
Aluminum shutter series for door
Non-insulation or insulation, max. length 9000mm
77mm/100mm



Steel shutter series for door
Insulation, max. length 11800mm

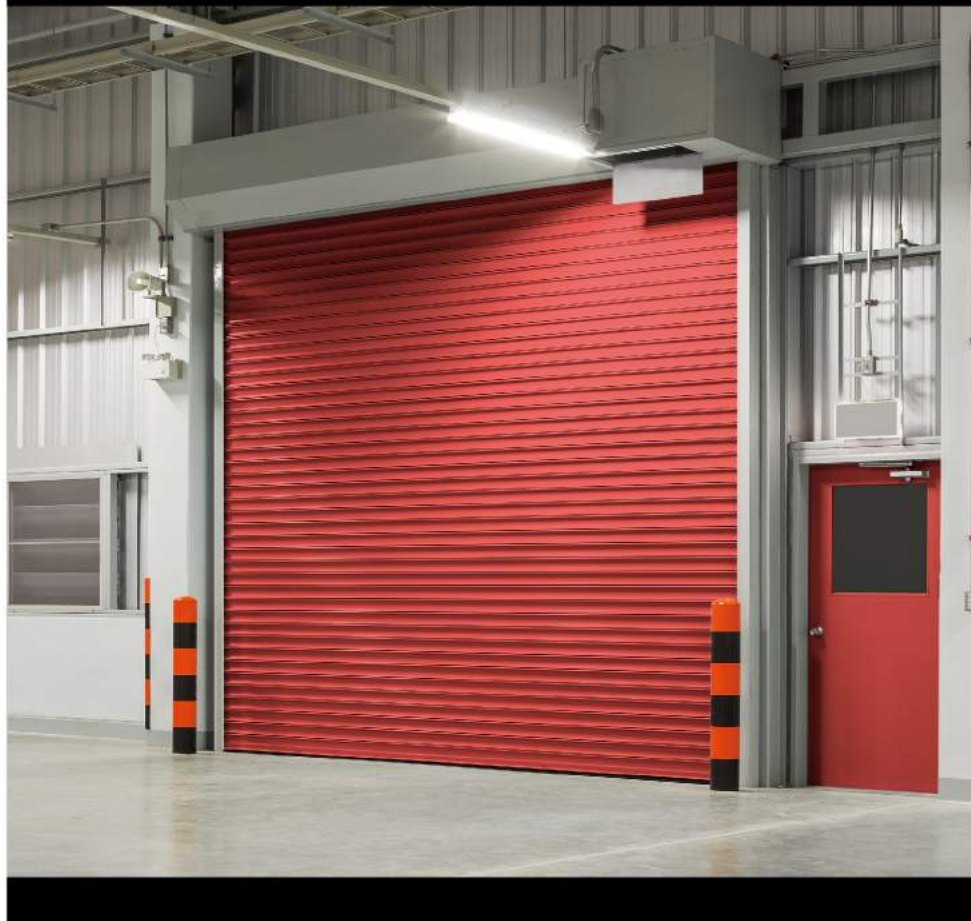


XF95 Track



EUROPEAN SHUTTER DOOR

The european shutter door



WINDPROOF ROLLING SHUTTER

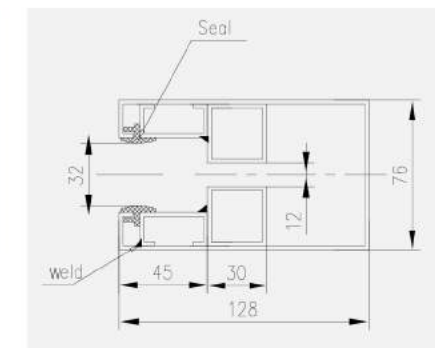
The Windproof rolling shutter



100 polyurethane foaming door panel available
for heat preservation, heat insulation and sound
insulation



Windproof rolling shutter
Patent No.: ZL201220167671.3
In the event of wind load, the windproof wheel
holds on to the windproof rail to prevent the
shutter curtain from derailing and play a role of
resistance to wind.



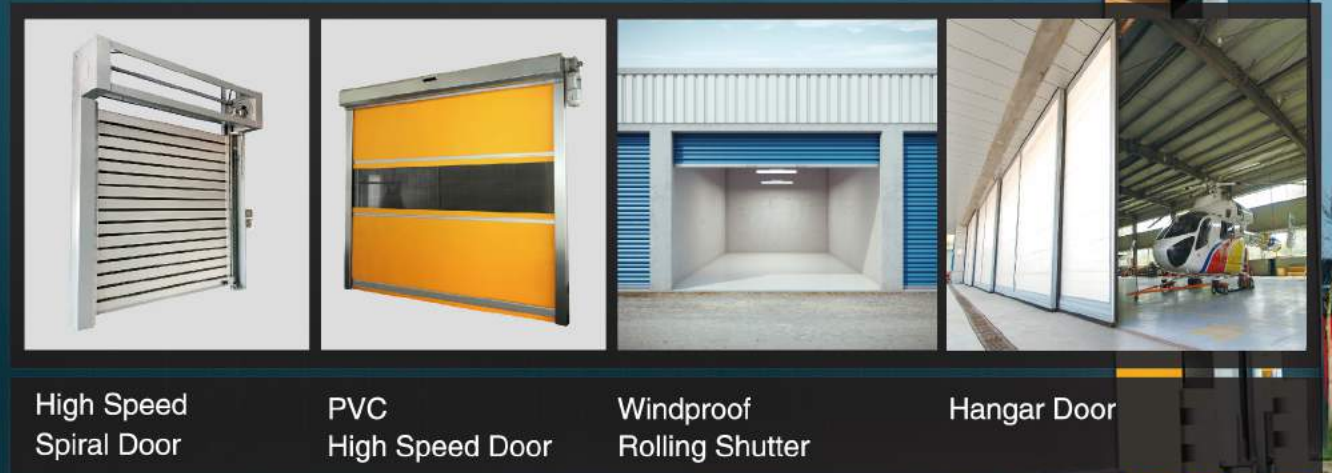
Windproof rail
Aluminum alloy or profiled bar material is an
option in terms of the users' demand.



Rolling support (automatic adjustment mechanism
of rolling door) Patent No.: ZL201220168038.6
When opening or closing the rolling door, the rolling
support makes automatic adjustment of the relative
positions of the door body and the rail, hence
reducing the resistance and extending the service
life of the door.

CONSIDER A COMMERCIAL DOOR

Product series



High Speed
Spiral Door

PVC
High Speed Door

Windproof
Rolling Shutter

Hangar Door